

MICRO SWITCH

A DIVISION OF MINNEAPOLIS-HONEYWELL REGULATOR COMPANY
 FREEPORT, MINNESOTA
 FED. MFR. CODE 91929

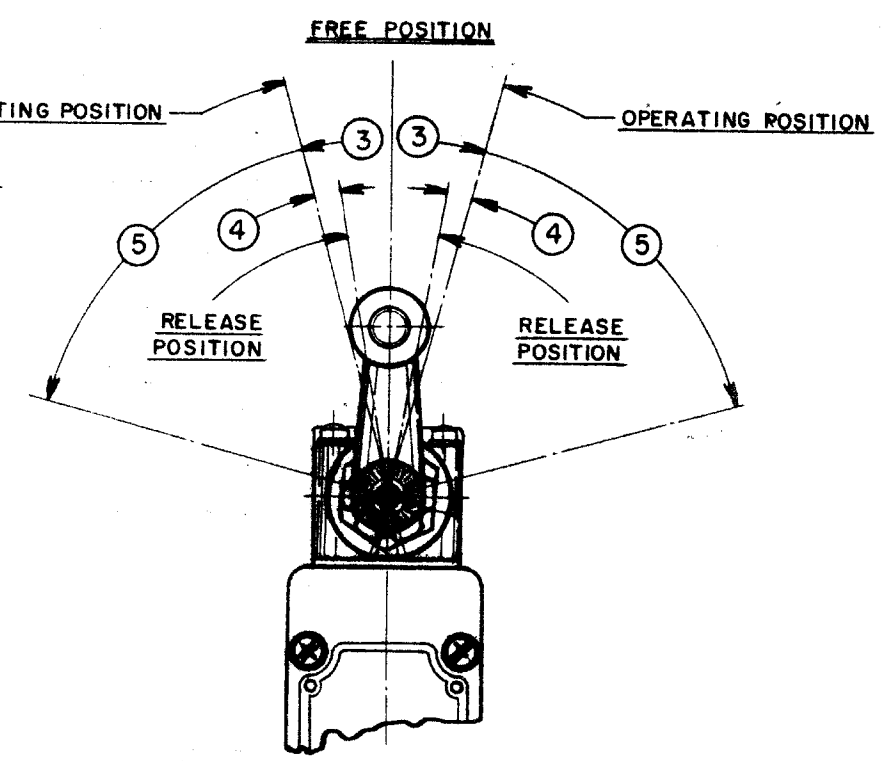
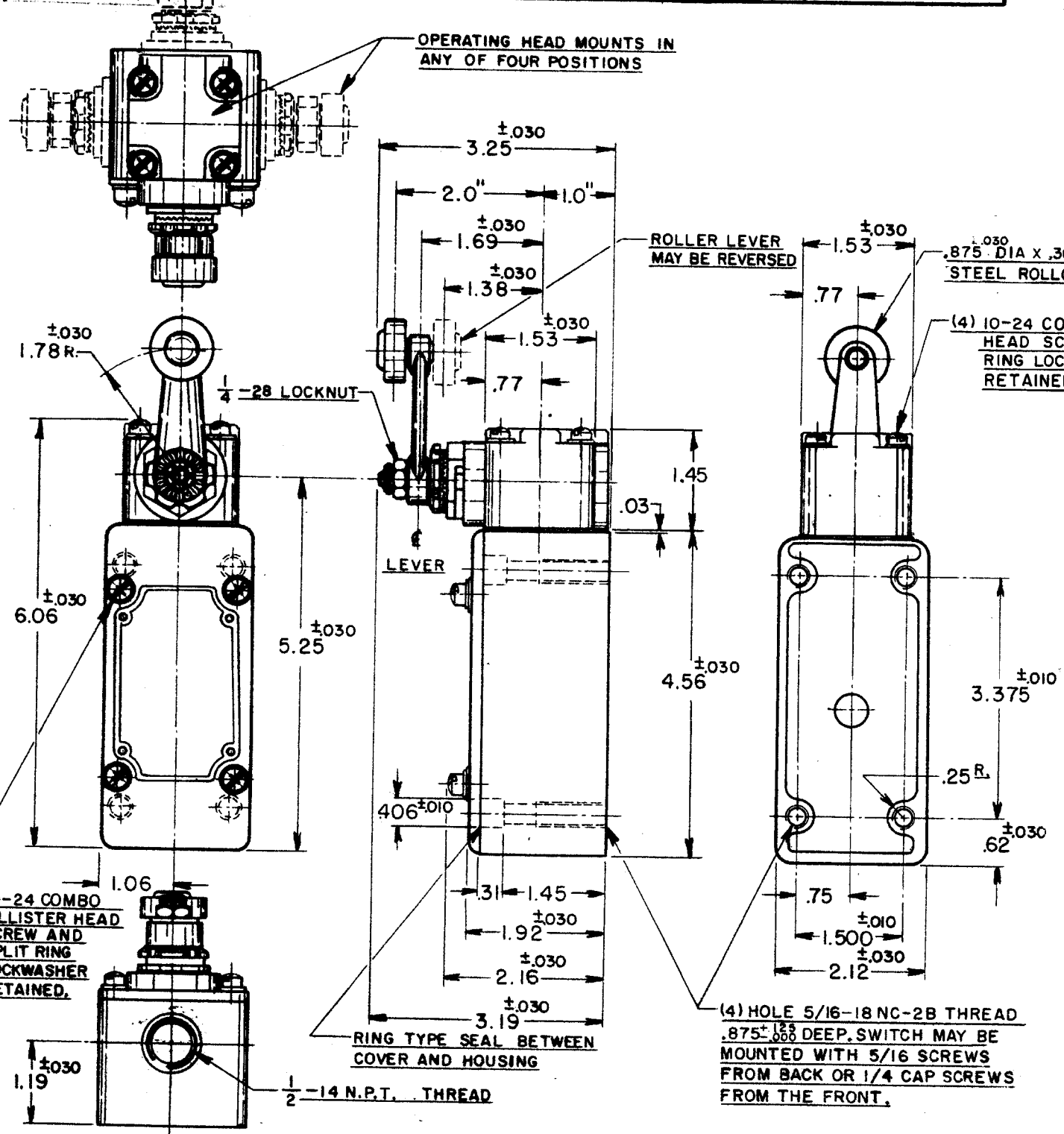
SWITCH - ENCLOSED

CATALOG LISTING
51ML17

THIS DRAWING COVERS A PROPRIETARY ITEM AND IS THE PROPERTY OF MICRO SWITCH, A DIVISION OF HONEYWELL. THIS DRAWING IS NOT TO BE COPIED OR USED WITHOUT THE APPROVAL OF MICRO SWITCH.



(M) 51ML17 ISSUE 1
 REPLACES 51ML17
 DRAWING NUMBER 51ML17
 ISSUE 1
 REVISIONS:
 A CO10656 KFM 24 JUL 58
 B CO11247 O.M.W. 5 MAR 58
 C CO12841 H.B.W. 20 JAN 65
 D CO20578 M.B.F. DEC 65
 E CO52194-D R.F. 23 SEPT 83
 F CO55051-B J.A.P. 17 DEC 84
 G CO74287 G.J.W. 17 APR 93
 R. G. C. 14, FEB. '56
 74-843



- NOTES
- 1 SWITCH IS ASSEMBLED FOR ACTUATION IN EITHER DIRECTION TO CONVERT SWITCH FOR ACTUATION EITHER CLOCKWISE OR COUNTER-CLOCKWISE DIRECTION ONLY, REMOVE THE HEAD AND SLIDE THE CAM TOWARD THE REAR OF THE HEAD SUFFICIENTLY TO DISENGAGE FROM THE FLATS ON THE SHAFT. ROTATE THE CAM 90° IN THE OPPOSITE DIRECTION OF THE ACTUATION DESIRED AND RE-ENGAGE THE CAM WITH THE FLATS ON THE SHAFT
 - 3 - LEVER MAY BE POSITIVELY LOCKED AT INTERVALS OF APPROX 0.4° (870 POSITIONS)
 - 4 - LEVER MAY BE ADJUSTED TO ACTUATE THE SWITCH IN THE CLOCKWISE DIRECTION ONLY, THE COUNTER-CLOCKWISE DIRECTION ONLY OR IN BOTH DIRECTIONS
 - 5 - IT IS ESSENTIAL TO PREVENT ENTRANCE OF HARMFUL AGENTS THRU THE CONDUIT OPENING TO OBTAIN THE FULL BENEFIT OF THE SEALED CONSTRUCTION PROVIDED IN THIS UNIT
 - 6 - MECHANICAL LIFE WILL BE 100,000 OPERATIONS MINIMUM

CHARACTERISTICS	ELECTRICAL DATA	SCALE 1/2 TO 1
OPERATING FORCE-----3 LBS. MAX.	CONTACT ARRANGEMENT	DO NOT SCALE PRINT
FULL OVERTRAVEL FORCE---4 LBS. MAX.	S. P. D. T.	UNLESS OTHERWISE SPECIFIED DIMENSIONS ARE IN INCHES
PRETRAVEL-----③ 12° MAX.		TOLERANCES ARE:
DIFFERENTIAL TRAVEL---④ 4° MAX.		ONE PLACE (.0) ±.030
OVERTRAVEL-----⑤ 60° MIN.		TWO PLACE (.00) ±.015
SWITCH-BASIC REPLACEMENT		THREE PLACE (.000) ±.005
MT-4RI-A68		ANGLES ±
		WEIGHT