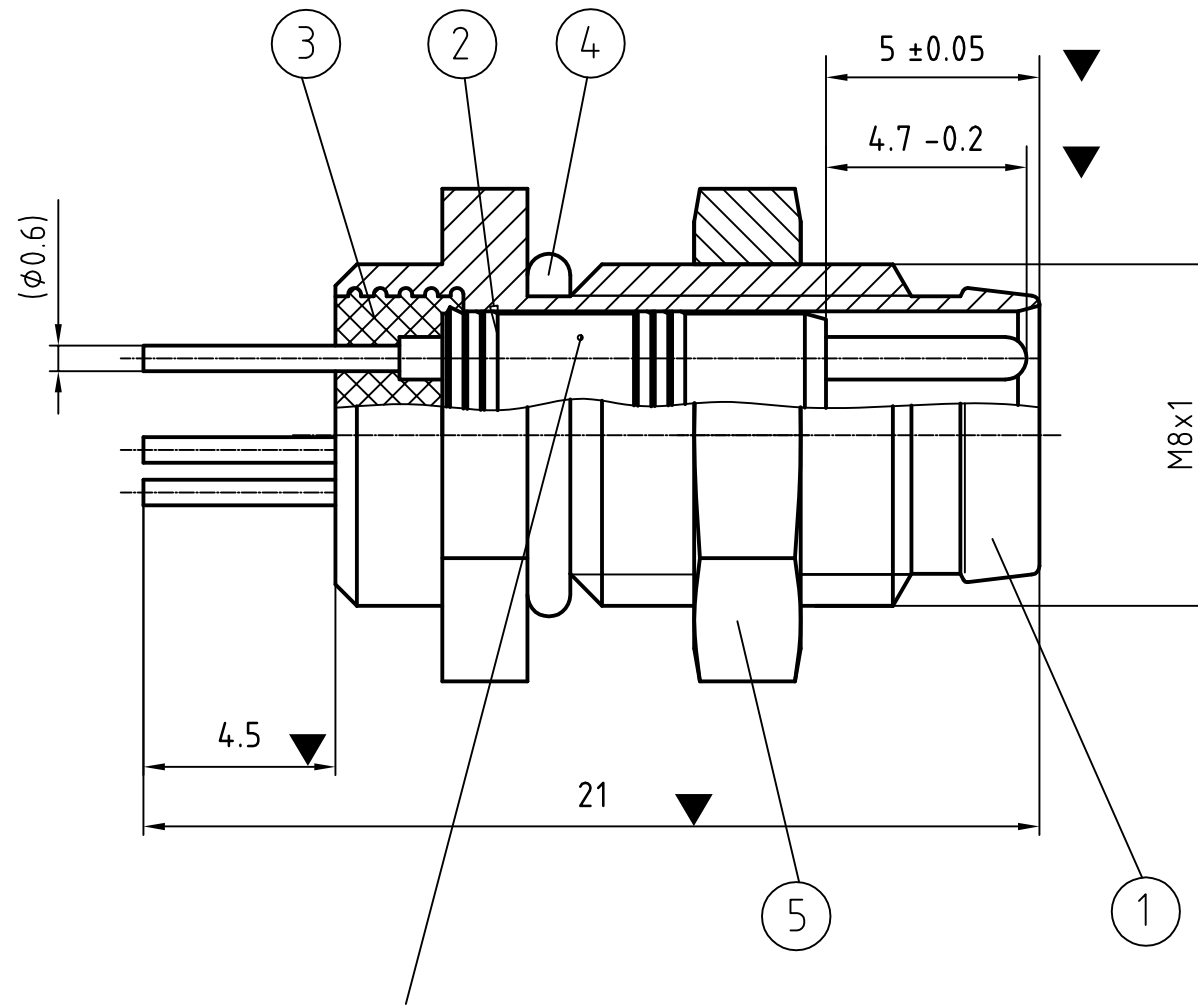


5P-VERSION AS SHOWN M 5:1  
 5P Version wie dargestellt M 5:1



ATTENTION: THE MALE INSERT (POS. 2) is pressed in AGAINST 3- AND 4-POL VERSION NOT FROM THE MATING SIDE; BUT FROM THE TERMINATION SIDE.

Achtung: Der Stifteinsatz (Pos.2) wird entgegen der 3- und 4-pol Version nicht von der Steckseite, sondern von der Anschlußseite eingepreßt.

NOTES / Bemerkung:

1	CRIMP CONTACT Crimp Kontakt	WN-00003
2	CABLE LENGTH TOLERANCE Kabellängentoleranz	WN-00004
3	POTTING Verguss	ES-120000-019
4	PACKAGING FOR RECEPTACLE Verpackung für Gerätestecker	PK-120000-018
5	PIN-ASSIGNMENT Pin-Belegung	IEC 61076-2-104
6	WINDING SPECIFICATION Wickelvorschrift	ES-120000-020

SAP-NUMBER SAP-Nummer	OLD MATERIAL-NO. alte Artikel-Nr.	REPLACED Ersatz für
1200905072	4R3F46000	0908 036GM 05000
1200905077	4R4F46000	0908 046GM 05000
1200905080	4R5F46000	0908 056GM 05000

DESCRIPTION EC NO.: WEU2009-0457 6/29/09 DRWN: BBRAUCH CH'KD: --- APPR: JKOLB 2009/09/15	QUALITY SYMBOLS ▽ = 4 ▽C = 0	GENERAL TOLERANCES (UNLESS SPECIFIED)		DIMENSION STYLE	SCALE	DESIGN UNITS	FIRST ANGLE PROJECTION
		mm	INCH	MM	2:1	METRIC	
1	REV	4 PLACES	±---	±---	DRAWN BY	DATE	M8 MALE RECEPTACLES- BACK-PIN M8 GERAETEST. BACK-PIN
		3 PLACES	±---	±---	BB	2009/06/26	
		2 PLACES	±0.05	±---	CHECKED BY	DATE	MOLEX INCORPORATED
		1 PLACE	±0.1	±---	JKO	2009/08/05	
		ANGULAR ± ---- °		APPROVED BY	DATE	DOCUMENT NO.	
		DRAFT WHERE APPLICABLE MUST REMAIN WITHIN DIMENSIONS		FP	2009/08/05	SD-120090-005	
		SIZE A3		see table		SHEET NO. 1 OF 1	
THIS DRAWING CONTAINS INFORMATION THAT IS PROPRIETARY TO MOLEX INCORPORATED AND SHOULD NOT BE USED WITHOUT WRITTEN PERMISSION							