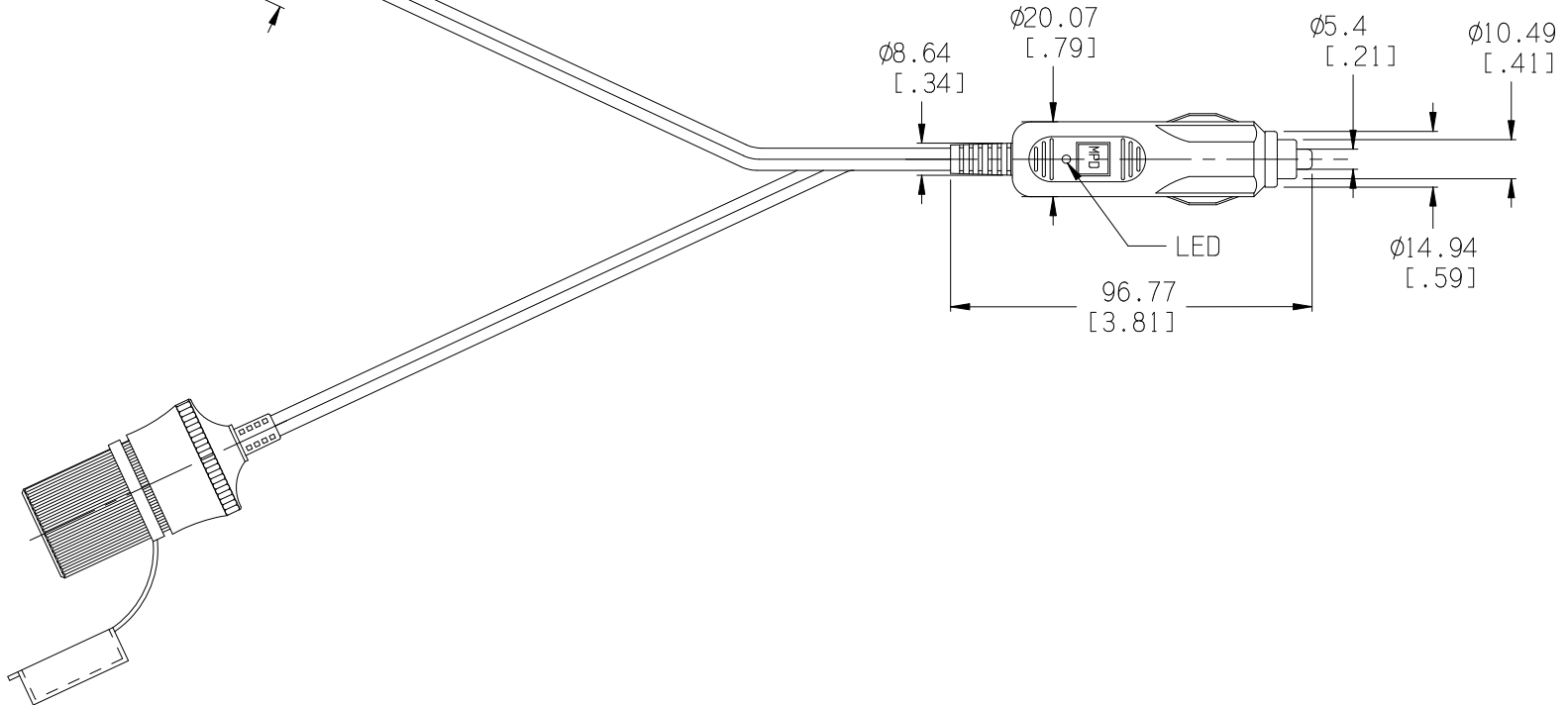
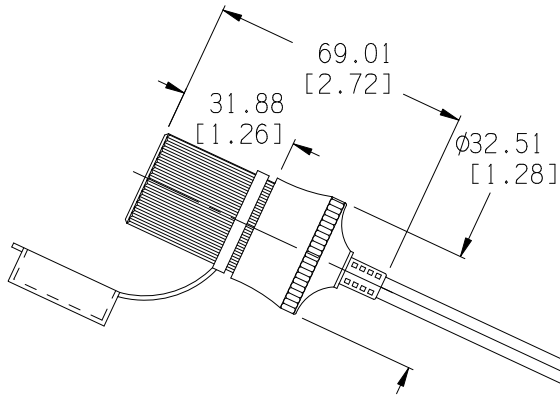



Date	SYM	REVISION RECORD	AUTH	DR.	CK.
7/29/06	A	Added "ROHS COMPLIANT"	T.B.	B.S.	
08/28/14	B	UPDATED TO ROHS 2 COMPLIANT	T.B.	B.S.	



ROHS 2 COMPLIANT

BILL OF MATERIAL

BILL OF MATERIAL			Tolerance (Inches)	 Memory Protection Devices, Inc. 200 Broad Hollow Road, Farmingdale, New York 11735	
PART #	QTY.	DESCRIPTION			
APP-001	1	CIGARETTE PLUG FOR 21 OR 22.2mm DIA. SOCKETS	Decimal	Scale Drawn By B.S.	
ZA2010	2	PLASTIC CIGARETTE SOCKET	±.5 (.020)		Approved By T.B.
FUSE	1	3AG (6.35 x 30mm), 10 AMP.	Fractional	Title DUAL SOCKET ASSEMBLY, 10 AMP. FUSE, RED LED	
CORD	2	SPT-1, 18 AWG, 105°C, UL-VW-1	± .8 (.030)		
AS-210B	2	PLASTIC COVER, PVC			
			Angular ± 3°	Date 08/28/14	Drawing Number ZA5072