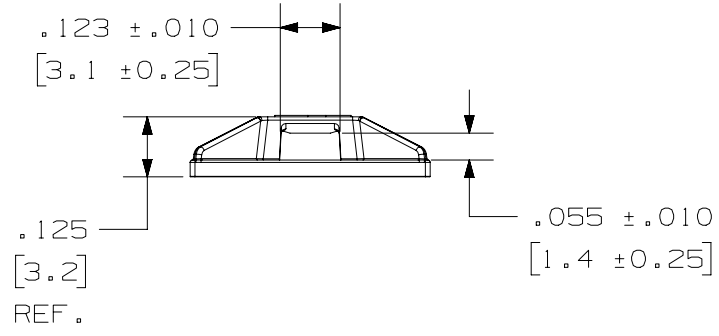
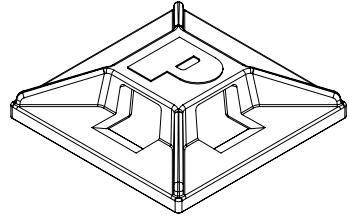
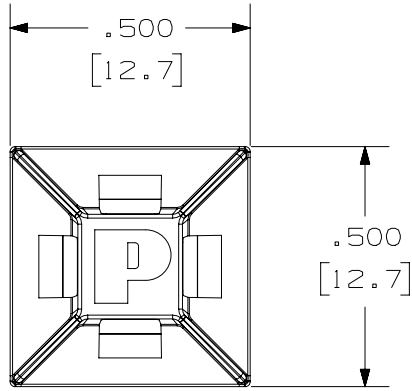


THIS COPY IS PROVIDED ON A RESTRICTED BASIS AND IS NOT TO BE USED IN ANY WAY DETRIMENTAL TO THE INTERESTS OF PANDUIT CORP.



PANDUIT PART NUMBER	WEIGHT lbs/100 pcs (g)/100 pcs
ABM1M-M0	0.04 (18)

NOTES:

1. USE MOUNTS WITH ONLY MINIATURE CABLE TIE CROSS SECTIONS.
2. MOUNT HAS A CONTINUOUS OPERATING TEMPERATURE OF 185°F (85°C).
3. PART IS SUPPLIED WITHOUT THE ADHESIVE. USER WILL NEED TO PROVIDE THEIR OWN ADHESIVE.
4. BAG MAY CONTAIN EXTRA PIECES TO COMPENSATE FOR VARIANCE IN THE PACKAGING PROCESS. PANDUIT ASSURES MINIMUM PIECE COUNT AS STATED ON THE BAG.

PART NUMBER		ABM1M-M0		
TITLE		ABM1M NON-ADHESIVE BACKED MOUNT CUSTOMER DRAWING		
ITEM REVISION NAME		10B015GM/00		
DATASET FILE NAME		10B015GM_DC_ABM1M-M0/00		
MATERIAL		NYLON 6/6		
DRAWING NUMBER		10B015GM_DC		
DRAWN BY		DATE	CHK	SCALE
RVU	3/12/2021	JADE	NONE	
SHEET 1 OF 1		A		

A-SIZE CUSTOMER

00	3/12/2021	RVU	JADE	RMHI	INITIAL RELEASE	GAECN05869
REV	DATE	BY	CHK	APR	DESCRIPTION	ECN

2

1

2

1