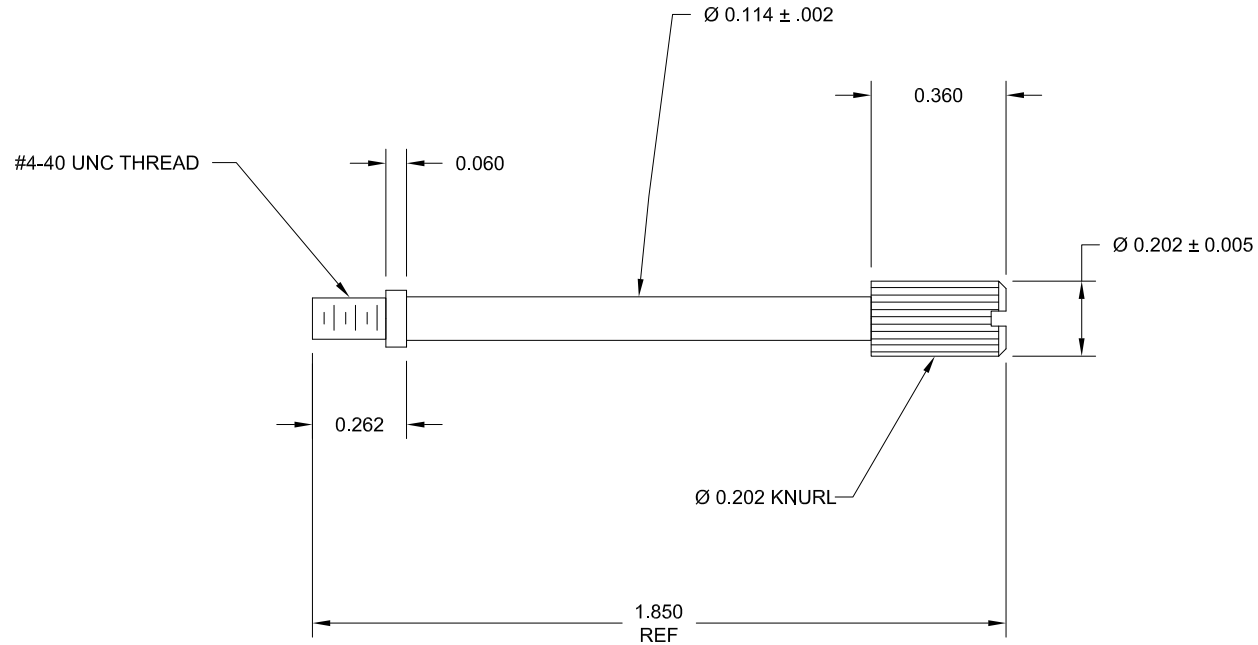


MATERIAL: STEEL  
 PLATING: ZINC, BLACK



FOR USE IN SERIES #'S: 952, 970, 971\*, 972  
 \*FOR 971, CAN ONLY BE USED TO REPLACE (1) SCREW DUE TO INTERFERENCE

RoHS COMPLIANT

UNITS = inch

DO NOT SCALE FROM DRAWING



THESE DRAWINGS AND SPECIFICATIONS ARE THE PROPERTY OF NorComp AND SHALL NOT BE REPRODUCED, COPIED OR USED AS THE BASIS FOR THE MANUFACTURE OR SALE OF APPARATUS WITHOUT WRITTEN PERMISSION.

DRAWN:  
 N. KOVALSKY  
 DATE:  
 03/04/2008

NorComp

SCALE: NTS	SHEET 1	OF 1	REV 2
DWG NO. 970-RBLKTSCREW			