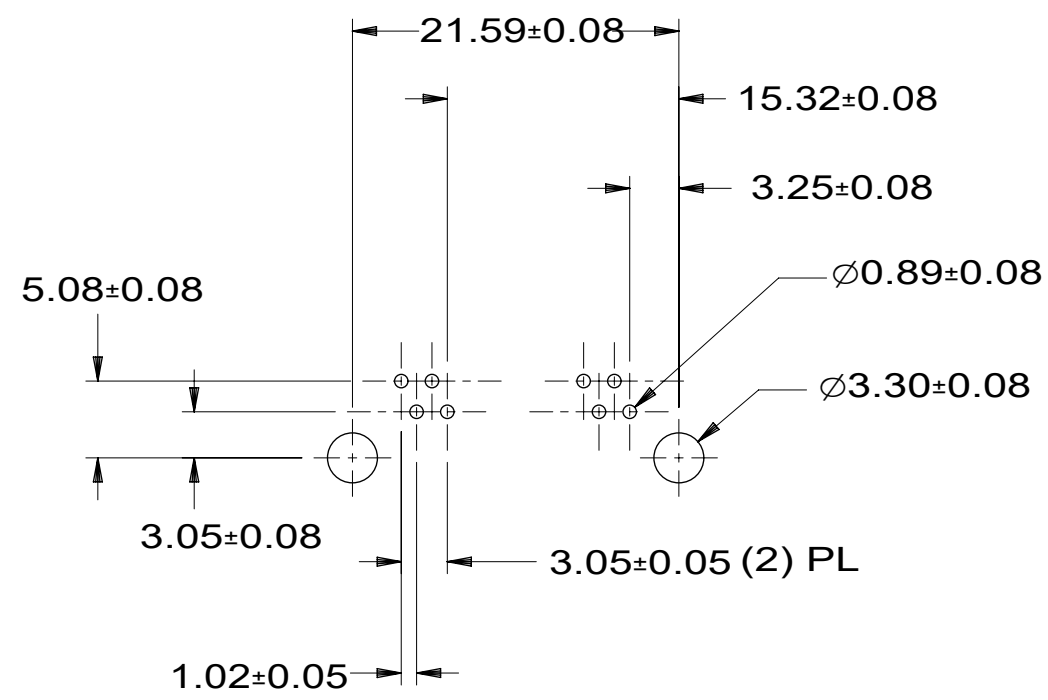
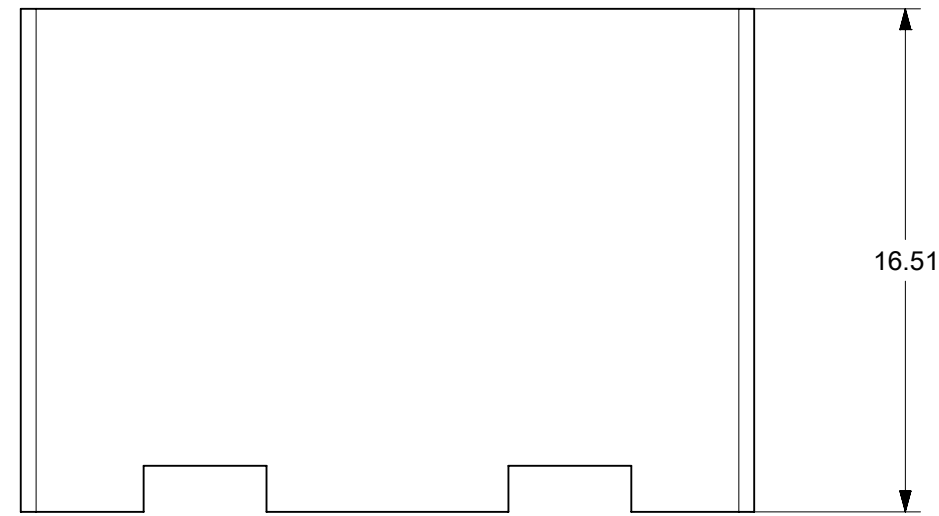
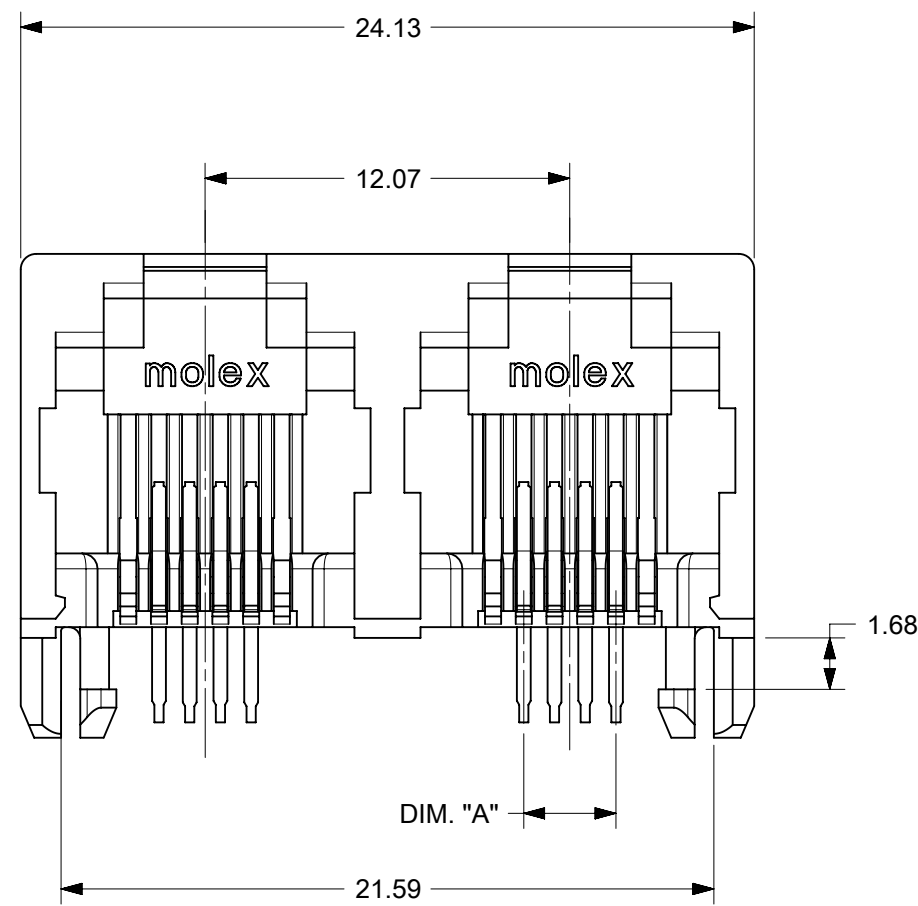


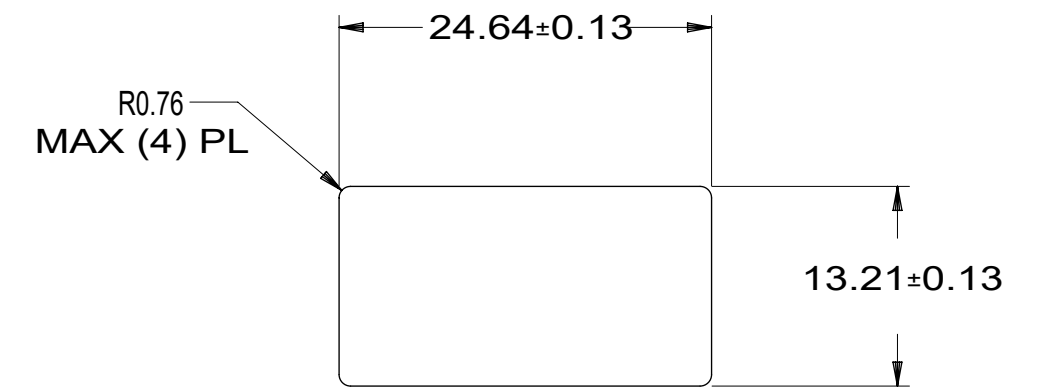
- NOTES:
- 1) MATERIAL:
HOUSING: NYLON(PA), GLASS FILLED, UL94V-0, COLOR: BLACK
TERMINALS: PHOSPHOR BRONZE, 0.38 mm THICK
 - 2) FINISH:
TERMINALS:
SELECT GOLD IN CONTACT AREA: 1.27 MICROMETERS MIN.,
SELECT TIN IN PC TAIL AREA: 2.54 MICROMETERS MIN.,
WITH OVERALL NICKEL UNDERPLATE: 1.27 MICROMETERS MIN.
 - 3) PRODUCT SPECIFICATION AND PROCESSING PARAMETERS: PS-43860-003.
 - 4) PACKAGING SPECIFICATION:
CONNECTOR ASSEMBLIES PACKAGED IN EXTRUDED TUBES PER MOLEX
PACKAGING SPECIFICATION PK-43685-005.
 - 5) ALL UNTOLERANCED DIMENSIONS ARE SHOWN FOR REFERENCE ONLY.
 - 6) THE PRIMARY SHIPPING CARTON WILL BE LABELED "COMPLIANT TO RoHS
DIRECTIVE 2002/95/EC AND ELV ANNEX II OF DIRECTIVE 2000/53/EC".
ASSEMBLIES WILL BE COMPLIANT TO THE RoHS AND ELV (LEAD-FREE)
DIRECTIVES.
 - 7) RECOMMENDED PCB THICKNESS: 1.57±0.13 mm.
 - 8) THIS PART CONFORMS TO CLASS B REQUIREMENTS OF COSMETIC
SPECIFICATION PS-45499-002.



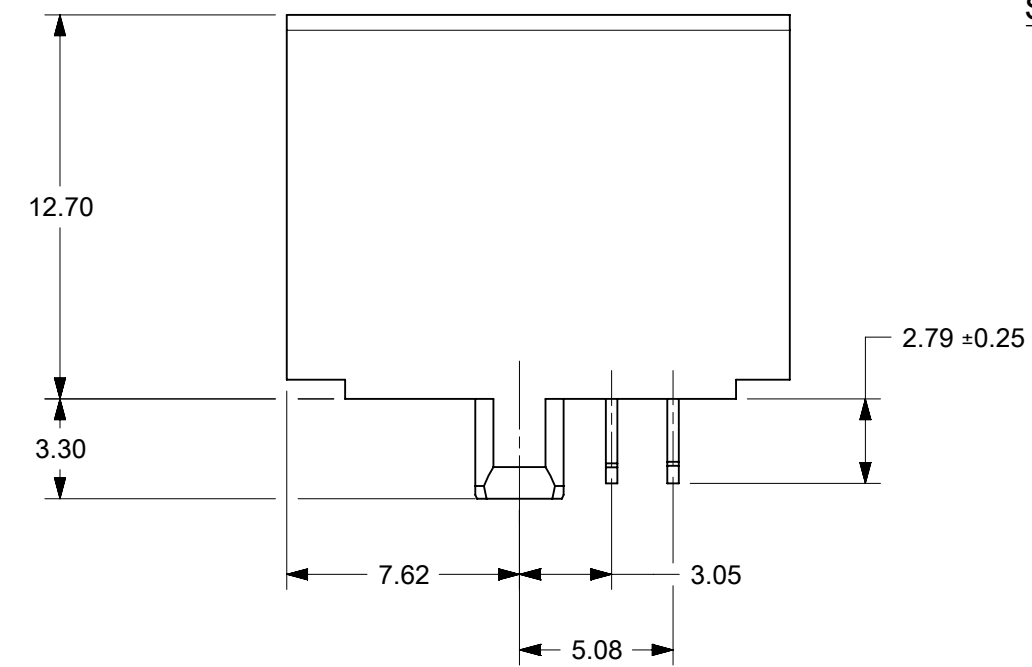
TOL NON-ACCUM
P.C. BOARD LAYOUT
6 LOADED 4 ASSEMBLY
COMPONENT SIDE OF BOARD
SCALE: 2X



6 LOADED 4
ASSEMBLY SHOWN



PANEL CUTOUT
SCALE: 2X



MATERIAL NUMBER	CIRCUITS PER PORT	DIM "A"
438141421	4	3.05

FUNCTIONAL SYMBOLS	THIS DRAWING CONTAINS INFORMATION THAT IS PROPRIETARY TO MOLEX ELECTRONIC TECHNOLOGIES, LLC AND SHOULD NOT BE USED WITHOUT WRITTEN PERMISSION		CURRENT REV DESC:		molex
	FA = 0	mm	SCALE 4:1	EC NO: 706367	
GENERAL TOLERANCES (UNLESS SPECIFIED)	FC = 0	ANGULAR TOL ± 0.5°		DRWN: FAYEW	2022/05/10
	FD = 0	4 PLACES ±		CHK'D: KLANG	2022/05/31
DIVISIONAL SYMBOLS	3 PLACES ±		APPR: KLANG	2022/05/31	
	2 PLACES ± 0.25		INITIAL REVISION:		DOCUMENT NUMBER
	1 PLACE ± 0.36		DRWN: LSCHMIDT	2005/03/23	SD-43814-003
	0 PLACES ±		APPR: FSMITH	2005/03/24	DOC TYPE DOC PART REVISION
DRAFT WHERE APPLICABLE MUST REMAIN WITHIN DIMENSIONS		THIRD ANGLE PROJECTION	DRAWING C-SIZE	SERIES 43814	MATERIAL NUMBER CUSTOMER SHEET NUMBER
					SEE CHART CORE CUSTOMER 1 OF 1