

Oscilloscope Carts

Key Features

- Fabricated from steel and aluminum and finished with a durable powder-coat epoxy
- High quality casters for smooth travel (2 locking)
- Extensive storage
 - Bottom tray/shelf for larger instruments
 - “Pegboard” style side panels for probe, cable, accessory storage (OC1024-A)
- Storage drawer (OC1024-A and OC910)
- Mounting straps to secure instrument (OC102x-A)
- Height and angle-adjustable shelves (OC102x-A)
- Shelf height for input channels of top two acquisition modules >32” from floor (OC910)
- Harness organizes connecting cables (OC910)
- Display and controls located at convenient work height



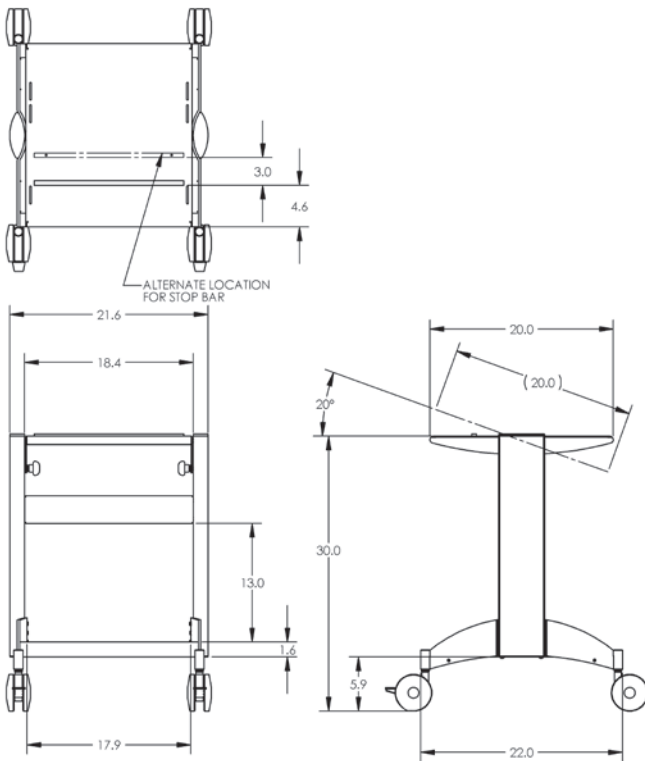
Teledyne LeCroy’s instrument carts provide users with a compact, sturdy, mobile tool for transporting larger LeCroy oscilloscopes to different laboratory locations. OC102x-A shelves are height and angle-adjustable, with supporting mounting straps to secure instruments. In addition, larger base bin storage is conveniently located on the bottom of the cart, and OC1024-A has “pegboard” style side panels for storage of probes, cables or other accessories with a storage drawer for smaller items.

The OC910 is the ultimate instrument rack. It’s sleek lines and industrial design nicely complement the LabMaster 9 Zi-A and 10 Zi industrial design. It holds the Master Control Module or Master Acquisition Module and up to four other pieces (e.g. the separate CPU module and/or additional acquisition modules) on up to three different shelves. It can provide space for up to 16 acquisition channels at 36 GHz (using LabMaster 10 Zi acquisition modules) with storage space for accessory items.

Models are available for most Teledyne LeCroy oscilloscopes. All models are usable with nearly any oscilloscope of 12” depth or more. OC1021-A and 1024-A are ideal for WaveMaster 8000A Series, SDA9000, SDA11000, SDA13000, SDA18000, WaveMaster SDA/DDA 8 Zi/Zi-A Series.

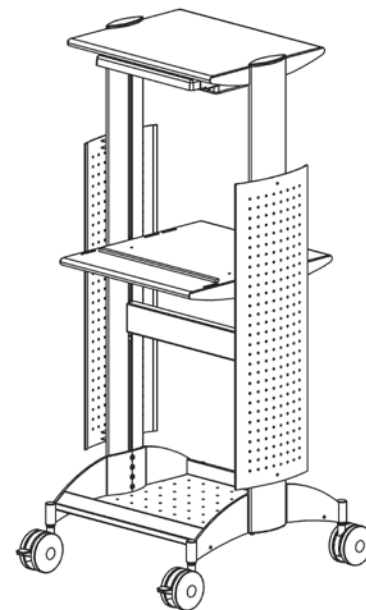
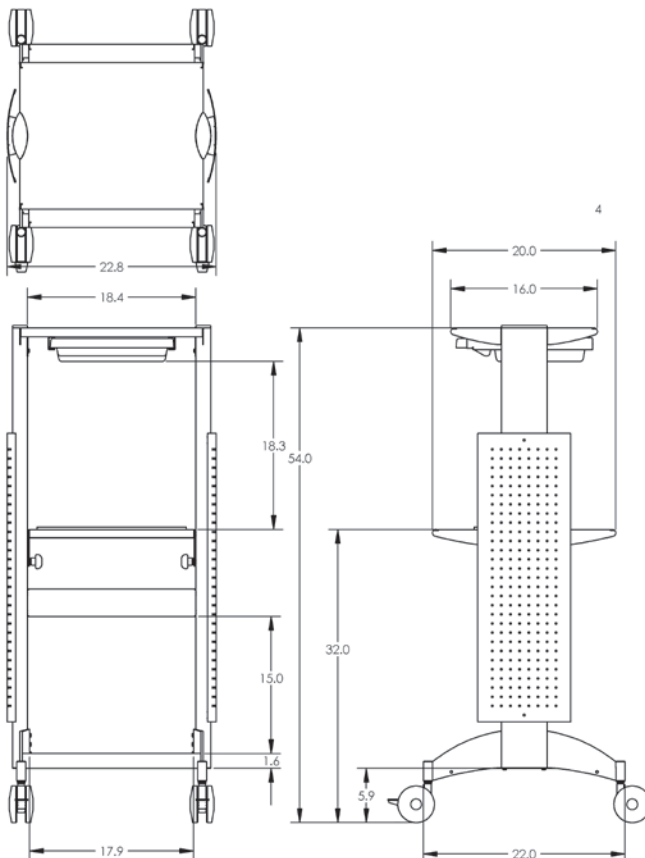
The larger OC910 deluxe oscilloscope cart is ideal for LabMaster 9 Zi-A and 10 Zi Series.

OC102X-A DIMENSIONAL DETAIL



OC1021-A

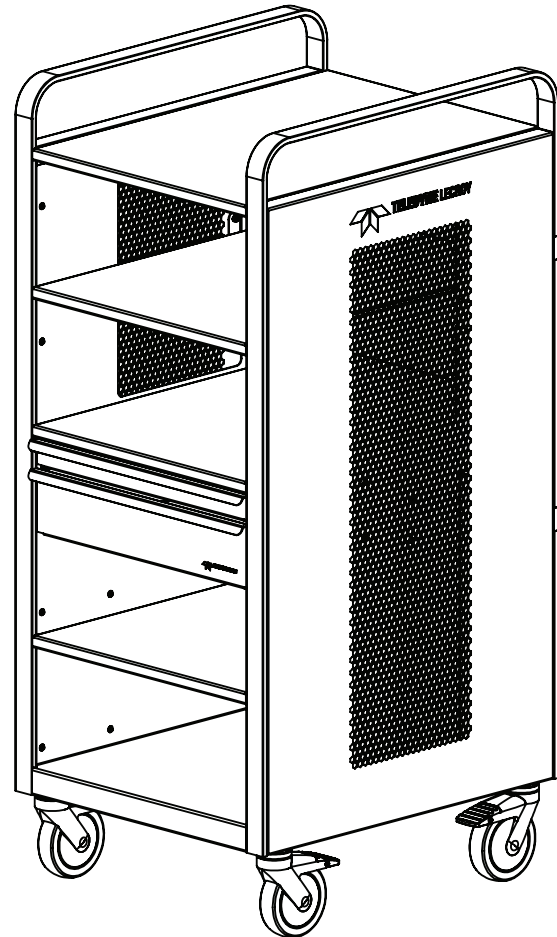
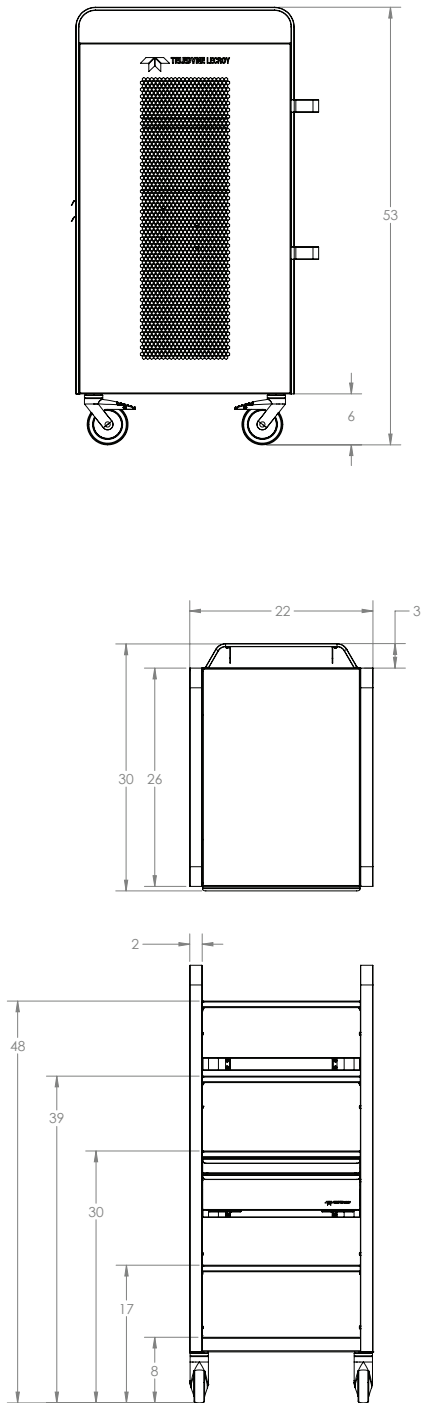
This cart contains an adjustable shelf, four high quality casters, and is ideal for oscilloscopes such as the WaveMaster/SDA/DDA 8 Zi/Zi-A. All dimensions are in US inches.



OC1024-A

This cart provides additional storage drawers, shelves, and pegboard storage area to hold not only an oscilloscope, but a variety of other test instruments, cables, probes and other accessories. All dimensions are in US inches.

OC910 DELUXE OSCILLOSCOPE CART



OC910

The ultimate in LabMaster portability, this cart can also be used for a wide variety of other test equipment. It can hold up to four 10 Zi acquisition modules if the lower shelf is removed. All dimensions are in US inches.

SPECIFICATIONS AND ORDERING INFORMATION

Overall	OC1021-A	OC1024-A	OC910
Dimensions (Width x Height x Depth)	21.6" x 30" x 22" (54.86 cm x 76.2 cm x 55.88 cm) depth not including wheels	22.8" x 54" x 22" (57.91 cm x 137.16 cm x 55.88 cm) depth not including wheels	22.6" x 52.8" x 26.3" (57.4 cm x 134.11 cm x 66.80 cm) (depth not including wheels, height to top shelf is 48.5" (123.19 cm)
Weight	50 lbs. (22.7 kg)	78.5 lbs. (35.7 kg)	188 lbs. (85.5 kg)
Top Shelf			
Dimensions (Width x Depth)	18.4" x 20" (46.74 cm x 50.8 cm)	18.4" x 16" (46.74 cm x 40.64 cm)	19" x 26" (48.26 cm x 66.04 cm)
Weight Capacity	85 lbs. (38.6 kg)	20 lbs. (9.1 kg)	55 lbs. (25 kg)
Angle Adjustability	Up to 20°	Not applicable	Not applicable
Middle Shelves			
OC102x-A Dimensions (Width x Depth)	Not applicable	18.4" x 20" (46.74 cm x 50.8 cm)	Middle Top: 19" x 26" x 8.3" (48.26 cm x 66.04 cm x 21.08 cm) Middle: 19" x 26" x 8.2" (48.26 cm x 66.04 cm x 20.83 cm) Middle Bottom (removable): 19" x 26" x 6.6" (48.26 cm x 66.04 cm x 16.76 cm) Bottom Shelf: 19" x 26" x 7.9" (48.26 cm x 66.04 cm x 20.07 cm) Note: Middle bottom shelf can be removed to provide a single bottom shelf with a total height of 15.3" (38.86 cm)
OC910 Dimensions (Width x Depth x Height)			
Weight Capacity	Not applicable	85 lbs. (38.6 kg)	210 lbs. (95.5 kg)
Angle Adjustability	Not applicable	Up to 20°	Not applicable
Bottom Shelf			
Dimensions (Width x Depth)	17.9" x 20" (45.47 cm x 50.8 cm)	17.9" x 20" (45.47 cm x 50.8 cm)	19" x 26" (45.47 cm x 50.8 cm)
Weight Capacity	50 lbs. (22.7 kg)	50 lbs. (22.7 kg)	70 lbs. (31.8 kg)
Angle Adjustability	Not applicable	Not applicable	Not applicable
Drawer			
Dimensions (Width x Height x Depth)	Not applicable	11.25" x 2.5" x 9.25" (28.58 cm x 6.35 cm x 23.5 cm)	18" x 4.0" x 12.3" (45.72 cm x 9.65 cm x 31.24 cm)

Product Description

Oscilloscope Cart, Basic

Basic oscilloscope cart with one tiltable shelf

OC1021-A

Oscilloscope Cart, Deluxe

Deluxe oscilloscope cart with one tiltable shelf and additional storage

OC1024-A

Oscilloscope Cart, Deluxe Heavy-Duty

Deluxe heavy-duty oscilloscope cart with three shelves and additional storage

OC910

Customer Service

Teledyne LeCroy oscilloscopes and probes are designed, built, and tested to ensure high reliability. In the unlikely event you experience difficulties, our digital oscilloscopes are fully warranted for three years and our probes are warranted for one year.

This warranty includes:

- No charge for return shipping
- Long-term 7-year support
- Upgrade to latest software at no charge



1-800-5-LeCroy
teledynelecroy.com

Local sales offices are located throughout the world.
Visit our website to find the most convenient location.