



## 12W Wall Plug Adapter PSA12x Adapter Series Meets EISA and Ecodesign Requirements



### Features

- Double Insulated
- Class B EMI
- Ecodesign ErP Directive 2009/125/EC level 2 annex 1b Compliant
- Less Than 0.3W No-Load Current
- Over-Voltage Protection
- Efficiency Level V Compliance

### Applications

- Wireless Communications
- Networking
- Portable Equipment
- Peripherals

### Safety Approvals

- cUL/UL (A-Model)
- BSMI (A-Model)
- TUV (E-Model)
- CE (E-Model)

### Mechanical Characteristics <sup>(1)</sup>

- Length: 71.5mm (2.81in)
- Width: 33.75mm (1.33in)
- Height: 46mm (1.81in)
- Weight: 85g (3.00oz)

### Output Specifications

| Model <sup>(3)</sup>      | DC Output Voltage | Load |      | Ripple <sup>(2)</sup><br>P-P (max.) | Regulation<br>Line & Load | Efficiency<br>Level |
|---------------------------|-------------------|------|------|-------------------------------------|---------------------------|---------------------|
|                           |                   | Min. | Max. |                                     |                           |                     |
| PSA12x-120 <sup>(4)</sup> | 12V               | 0A   | 1.0A | 240mV                               | ±5%                       | V                   |

(1) Dimensions for PSA12A-120 model

(2) Measured with an oscilloscope with 20MHz (or over) Bandwidth. Outputs should be bypassed at a connector with a 0.1uF ceramic capacitor and a 10uF electrolytic capacitor.

(3) Minimum order requirement of 2500 pieces for both US and EU models.

(4) X = A for US version, E for EU version

Phihong is not responsible for any error, and reserves the right to make changes without notice. Please visit our website at [www.phihong.com](http://www.phihong.com) for the most up-to-date specifications and contact information.

**Input:****AC Input Voltage Rating**

100 to 240 V AC

**AC Input Voltage Range**

90 to 264V AC

**AC Input Frequency**

50 to 60Hz

**Input Current**

0.5A (RMS) maximum at 120V AC

0.25A (RMS) maximum at 240V AC

**Leakage Current**

0.25A maximum at 264V AC

**Inrush Current**

30A for 120V AC at maximum load

60A for 230V AC at maximum load

**Input Power Saving**

&lt;0.3W maximum at no load

**Output:****Efficiency**

77.76% minimum average efficiency

**Hold-up Time**

10mS minim at 120V AC and maximum load

**Over-Voltage Protection**

Output voltage shall not exceed 20V

**Short-Circuit Protection**

Protected against short circuit. Continuous short circuit will not produce fire, smoke or excessive heat

**Environmental:****Temperature**

Operation 0 to +40°C

Non-operation -40 to +80°C

Humidity 10 to 90%

**Emissions**

FCC Class B

EN55022 Class B

**Immunity**

EN50082-1: (EN55024)

EN61000-4-2 Level 4

EN61000-4-5 Level 3

**Dielectric Withstand (Hi-pot) Test**

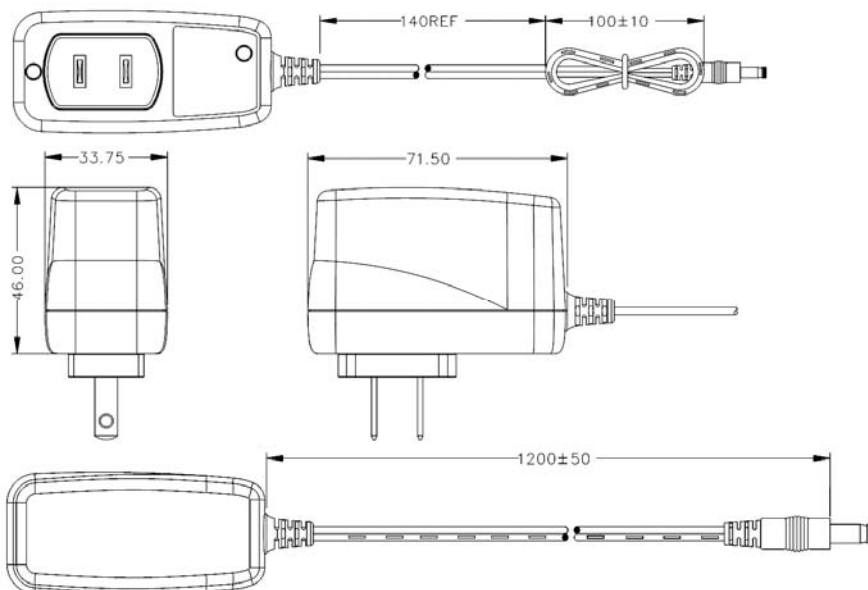
Primary to Secondary: 3000V AC for 1 min., 10mA

**DC Output Connector**

2.1 x 5.5mm Center Positive Standard

**Mating Connector**

Kycon KLD-0202-A or equivalent

**Dimension Diagram Unit: mm – PSA12A-120**

**Dimension Diagram Unit: mm – PSA12E-120**

