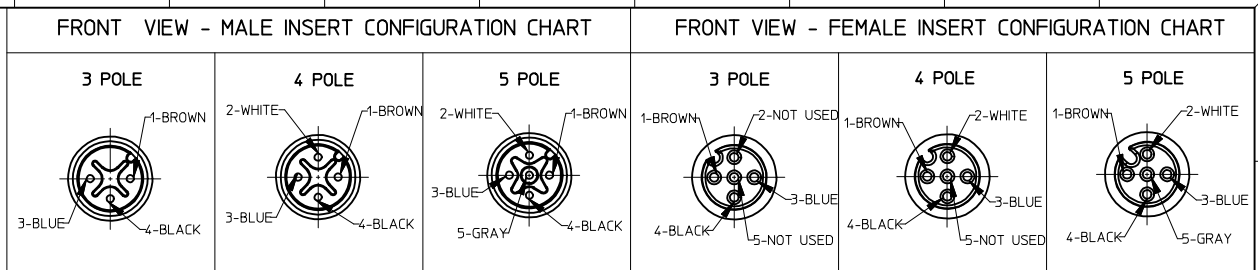
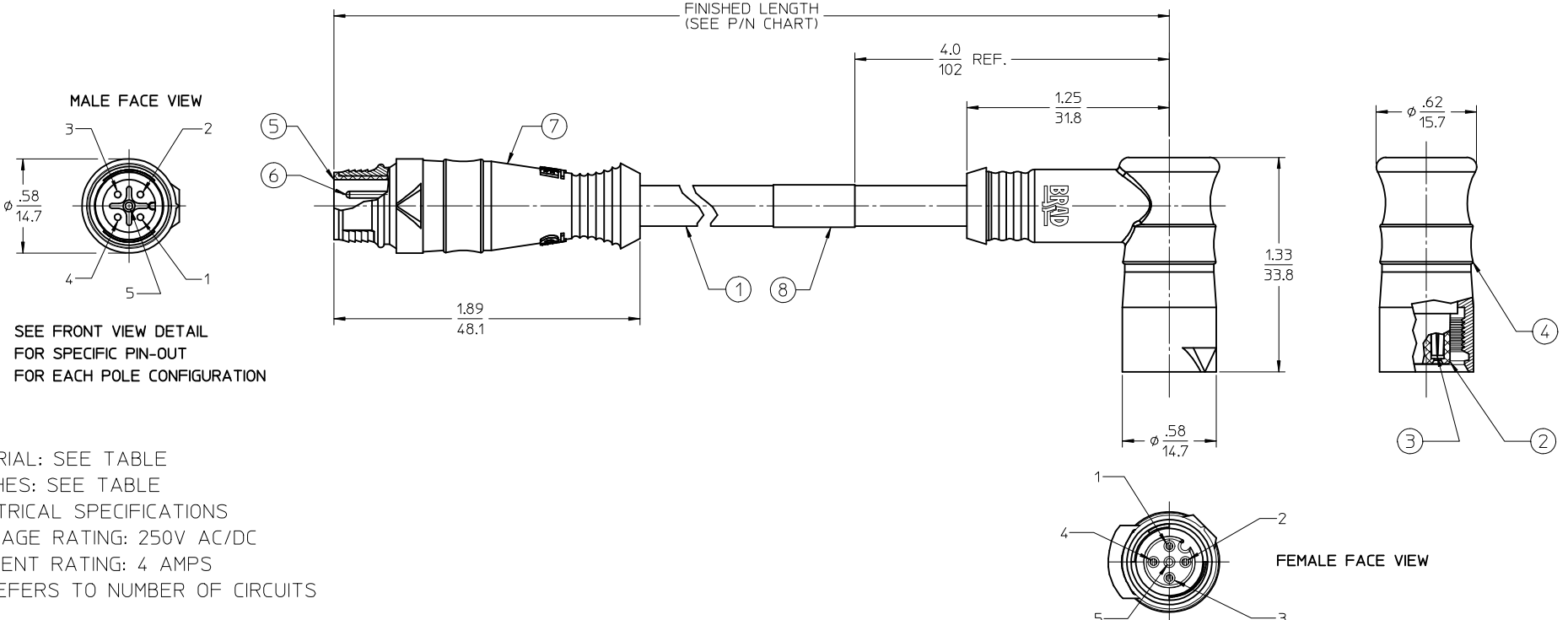
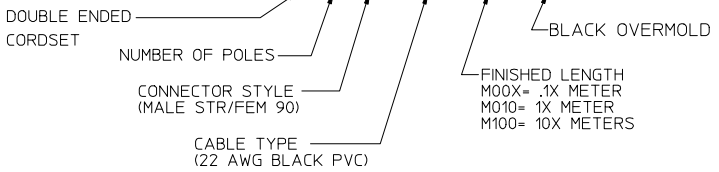


POLES	MATERIAL NO.	ENGINEERING NO.	FINISHED LENGTH
3	1200660032	NN3031A41M010G	3'3" +2.19"-0 (1M +55.6mm-0)
3	1200660033	NN3031A41M020G	6'7" +3.50"-0 (2M +88.9mm-0)
3	1200660034	NN3031A41M050G	16'5" +6.50"-0 (5M +165.1mm-0)
4	1200660040	NN4031A41M010G	3'3" +2.19"-0 (1M +55.6mm-0)
4	1200660041	NN4031A41M020G	6'7" +3.50"-0 (2M +88.9mm-0)
4	1200660042	NN4031A41M050G	16'5" +6.50"-0 (5M +165.1mm-0)



### CABLE P/N MATRIX

**NNX031A41MXXXG**



- NOTES:
1. MATERIAL: SEE TABLE
  2. FINISHES: SEE TABLE
  3. ELECTRICAL SPECIFICATIONS  
VOLTAGE RATING: 250V AC/DC  
CURRENT RATING: 4 AMPS
  4. XX REFERS TO NUMBER OF CIRCUITS

8	1	WRAP LABEL	VINYL	BLACK/YELLOW
7	1	MICRO-PUSH OVERMOLD (MALE STR)	TPE	BLACK
6	XX	CONTACT PIN	Cu ALLOY	GOLD PLATED
5	1	INSERT (MALE)	NYLON	BLACK
4	1	MICRO-PUSH OVERMOLD (90D FEMALE)	PVC	BLACK
3	XX	CONTACT SOCKET	Cu ALLOY	GOLD PLATED
2	1	INSERT (FEMALE)	NYLON	BLACK
1	A/R	CABLE, 22 AWG, UN SHLD	PVC JACKET	BLACK
ITEM	QTY.	DESCRIPTION	MATERIAL	FINISH

<b>RELEASED</b> EC NO: IFC2015-1589 DR:WRNSTONE 2015/03/10 CHKDK:JOZWIK 2015/03/12 APPR:JFMURPHY 2015/03/17	QUALITY SYMBOLS ▽=0 ▽=0	GENERAL TOLERANCES (UNLESS SPECIFIED)	DIMENSION STYLE <b>IN/MM</b>	SCALE <b>2:1</b>	DESIGN UNITS <b>INCH</b>	THIRD ANGLE PROJECTION																
		<table border="1"> <thead> <tr> <th></th> <th>mm</th> <th>INCH</th> </tr> </thead> <tbody> <tr> <td>4 PLACES</td> <td>± .005</td> <td>± .0005</td> </tr> <tr> <td>3 PLACES</td> <td>± .005</td> <td>± .0005</td> </tr> <tr> <td>2 PLACES</td> <td>± .01</td> <td>± .001</td> </tr> <tr> <td>1 PLACE</td> <td>± .03</td> <td>± .003</td> </tr> <tr> <td>0 PLACE</td> <td>± .005</td> <td>± .0005</td> </tr> </tbody> </table>		mm	INCH	4 PLACES	± .005	± .0005	3 PLACES	± .005	± .0005	2 PLACES	± .01	± .001	1 PLACE	± .03	± .003	0 PLACE	± .005	± .0005	DRAWN BY RSTONE 2015/03/10	DATE 2015/03/10
	mm	INCH																				
4 PLACES	± .005	± .0005																				
3 PLACES	± .005	± .0005																				
2 PLACES	± .01	± .001																				
1 PLACE	± .03	± .003																				
0 PLACE	± .005	± .0005																				
DRAFT WHERE APPLICABLE MUST REMAIN WITHIN DIMENSIONS		MATERIAL NO. <b>SEE P/N CHART</b>	DOCUMENT NO. <b>SD-120066-059</b>	<b>molex</b>																		
THIS DRAWING CONTAINS INFORMATION THAT IS PROPRIETARY TO MOLEX INCORPORATED AND SHOULD NOT BE USED WITHOUT WRITTEN PERMISSION																						