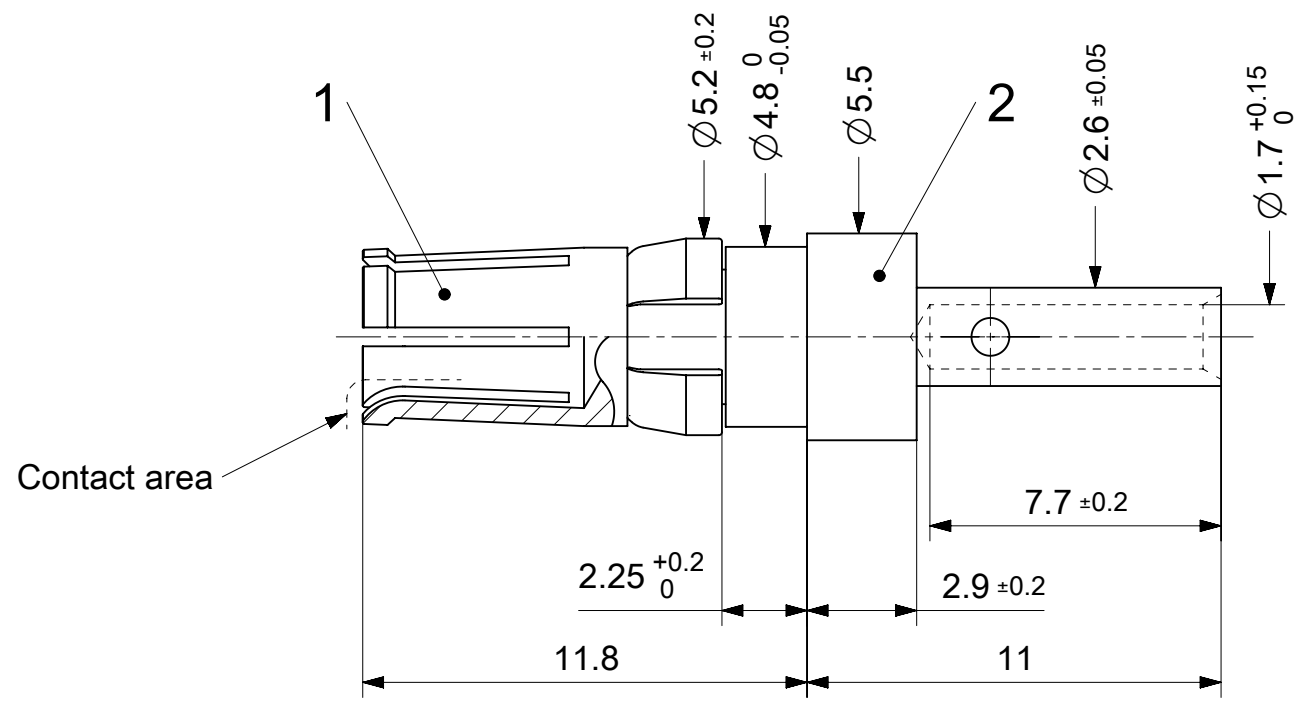


2:1



RoHS compliant
by exemption

Crimping tools see document 2195600660

1727040150	FMP002S103	103
1731120029	FMP002S106	106
1731120033	FMP002S204	204
Material Number	FCT Part Number	Material + Finish See extra sheet

UNLESS OTHERWISE SPECIFIED DIMENSIONS FOR REFERENCE ONLY				REPLACEMENT FOR DOCUMENT NUMBER: FMP002S			
THIS DRAWING CONTAINS INFORMATION THAT IS PROPRIETARY TO MOLEX ELECTRONIC TECHNOLOGIES, LLC AND SHOULD NOT BE USED WITHOUT WRITTEN PERMISSION							
FUNCTIONAL SYMBOLS	DIMENSION UNITS	SCALE	CURRENT REV DESC: A24297				
$\frac{F}{A} = 0$	mm	5:1	<p>EC NO: 686737 DRWN: VLOKESHA 2021/03/30 CHK'D: MTEUBEL 2021/11/29 APPR: MTEUBEL 2021/11/29</p> <p>INITIAL REVISION: DRWN: VLOKESHA 2021/03/30 APPR: MTEUBEL 2021/11/29</p>				
$\frac{E}{E} = 0$	GENERAL TOLERANCES (UNLESS SPECIFIED)						
$\frac{F}{P} = 0$	ANGULAR TOL ± °						
DIVISIONAL SYMBOLS	4 PLACES	±					
	3 PLACES	±					
	2 PLACES	±	<p>DOCUMENT NUMBER: 1727040150</p> <p>DOC TYPE: PSD</p> <p>DOC PART: 000</p> <p>REVISION: A</p>				
	1 PLACE	±					
	0 PLACES	±					
DRAFT WHERE APPLICABLE MUST REMAIN WITHIN DIMENSIONS	FIRST ANGLE PROJECTION	DRAWING	SERIES	MATERIAL NUMBER	CUSTOMER	SHEET NUMBER	
		A4-SIZE	172704	SEE TABLE	GENERAL MARKET	1 OF 1	

DOCUMENT STATUS	P1	RELEASE DATE	2021/11/29	13:31:29
-----------------	----	--------------	------------	----------