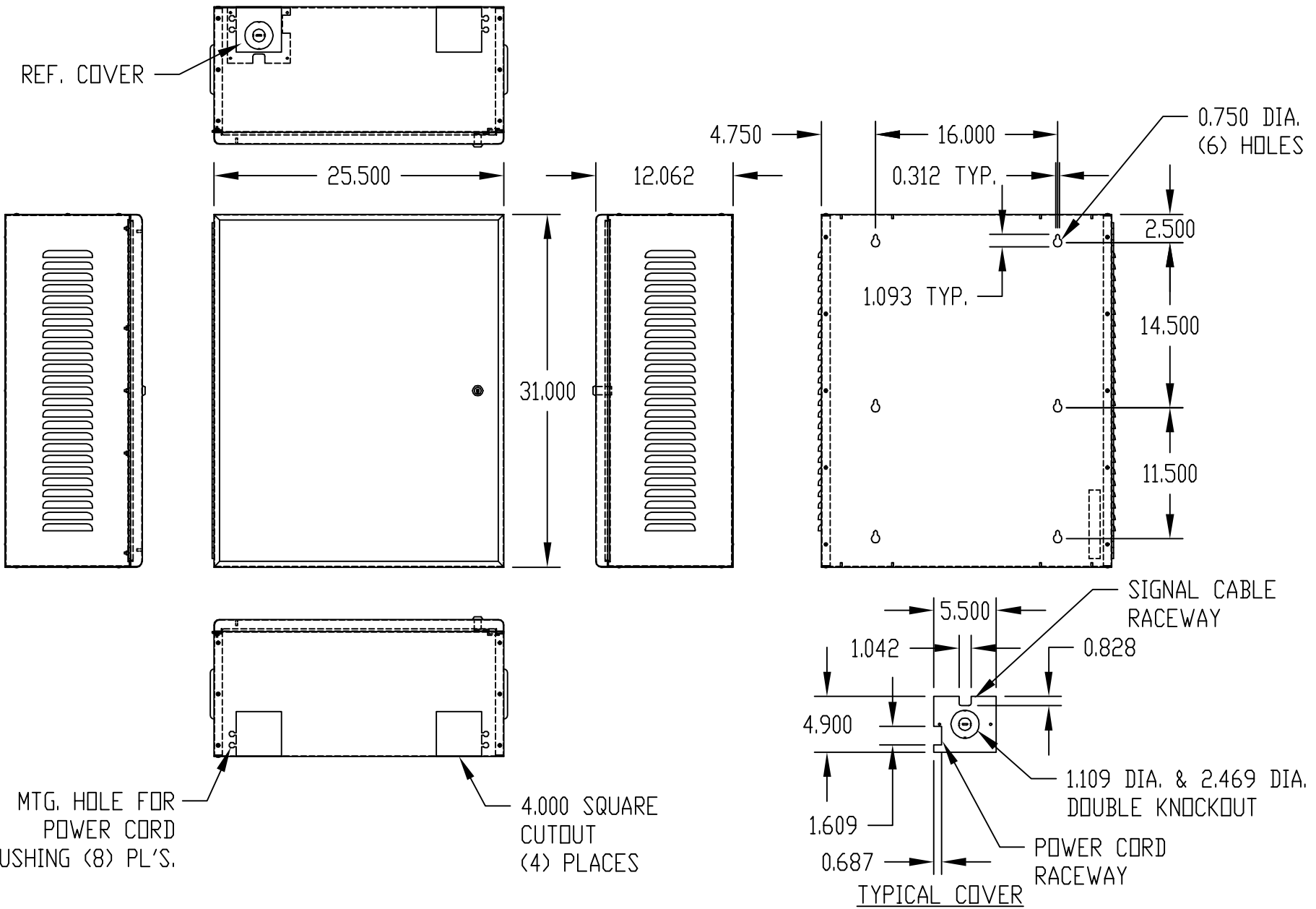


PART NAME	MEGA NETWORK CABINET	PART No.	MNC-8085	REV. DATE	10-6-05
-----------	----------------------	----------	----------	-----------	---------



**MATERIAL:**

BODY ASSEMBLY, DOOR & COVERS \_\_\_\_\_ 18 GA. STEEL  
 SWING DOWN & MOUNTING BRACKETS \_\_\_\_\_ 14 GA. STEEL  
 CONTINUOUS HINGE \_\_\_\_\_ 20 GA. STAINLESS STEEL (0.100 DIA. PIN)  
 KNOBS \_\_\_\_\_ PLASTIC  
 GROUNDING BAR \_\_\_\_\_ 0.250 THK. COPPER

**FINISH:**

BODY ASSEMBLY, DOOR, SWING DOWN BRACKETS & COVERS \_\_\_\_\_ UNICREAM  
 CONTINUOUS HINGE & GROUNDING BAR \_\_\_\_\_ NATURAL  
 KNOBS \_\_\_\_\_ BLACK

DOOR CAN BE HINGED EITHER LEFT OR RIGHT (SUPPLIED HINGED LEFT)

SWING-DOWN BRACKETS HAVE #10-32 TAPPED HOLES ON E.I.A. UNIVERSAL HOLE SPACING  
 FIXED MOUNTING BRACKETS HAVE 0.281 DIA. HOLES ON E.I.A. UNIVERSAL HOLE SPACING  
 SWING-DOWN BRACKETS SUPPLIED ASSEMBLED QTY. (4)  
 COVERS SUPPLIED UNASSEMBLED QTY. (2)  
 POWER CORD STRAIN RELIEF BUSHING SUPPLIED UNASSEMBLED QTY. (12) EACH  
 #10-32 SCREWS & CLIP NUTS SUPPLIED FOR ACCESSORY MOUNTING

