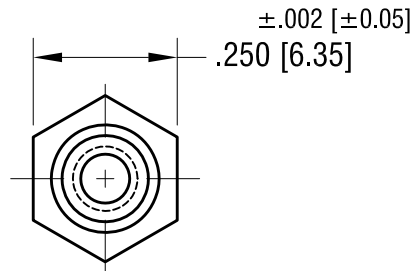
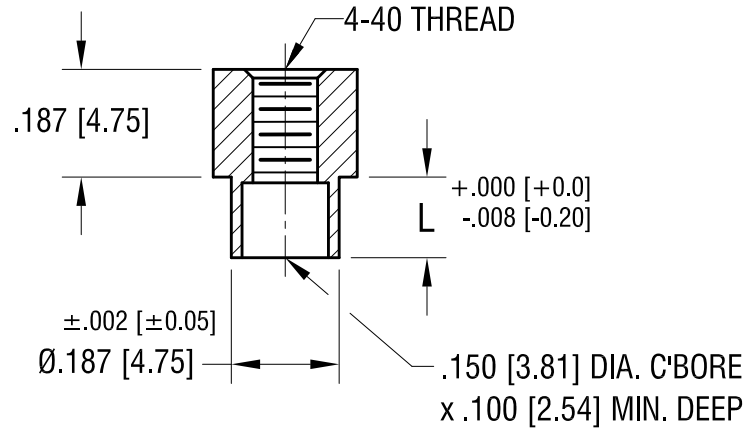


THIS DOCUMENT IS THE PROPERTY OF  
KEYSTONE ELECTRONICS CORP. AND  
SHALL NOT BE REPRODUCED, DISTRIBUTED  
OR USED AS A BASIS FOR MANUFACTURE  
WITHOUT PRIOR WRITTEN PERMISSION  
FROM KEYSTONE ELECTRONICS CORP.

ACTUAL SIZE



P/N 1746-2



PART NO.	'L' DIM.
1746-2	.109 [2.77]
1746-3	.140 [3.56]

11.22.21	CHANGE AS PER ECN 21-156	C
5.13.02	CHANGE AS PER ECN 02-040	B
6.7.96	CHANGE AS PER ECR 96-030	A
DATE	DESCRIPTION	REV.

<b>KEYSTONE ELECTRONICS CORP.</b>			
www.keyelco.com • NEW HYDE PARK NY 11040 • Tel (516)328-7500			
PART NAME <b>SWAGE THREADED STANDOFF</b>			
MATERIAL <b>BRASS</b>			
FINISH <b>DUCTILE NICKEL PLATE</b>		DRN BY <b>BOONE</b>	DATE <b>7.01.82</b>
		APP'D <b>LN</b>	SCALE <b>3X</b>
TOLERANCES	INCH [MM]	CODE	DWG NO.
DECIMAL	± .005 [± 0.13]	<b>C</b>	<b>1746-</b>
ANGULAR	± 1°		
UNLESS OTHERWISE SPECIFIED			