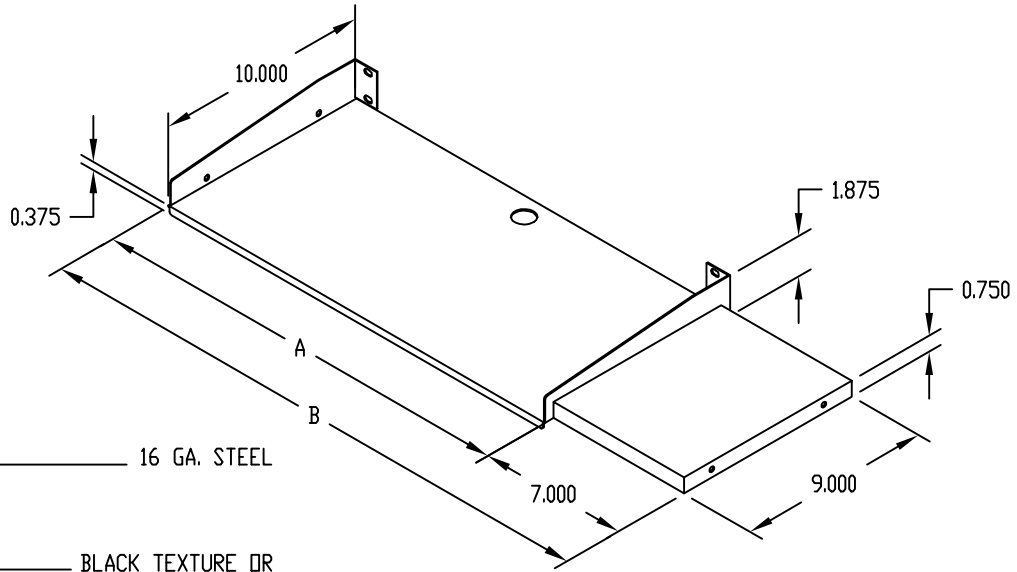


PART NAME

KEYBOARD AND MOUSE SHELF ASSEMBLY

PART No.

SA-1775 AND SA-1776



MATERIAL:

KEYBOARD SHELF AND MOUSE PAD _____ 16 GA. STEEL

FINISH:

KEYBOARD SHELF AND MOUSE PAD _____ BLACK TEXTURE OR METALLIC GRAY

LOAD RATING: 25 LBS. MAX.

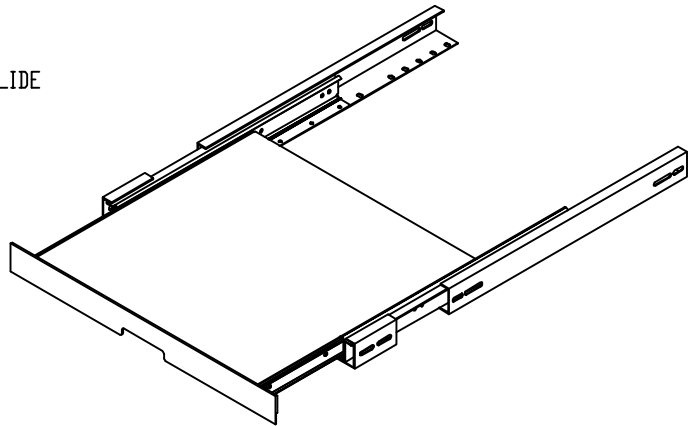
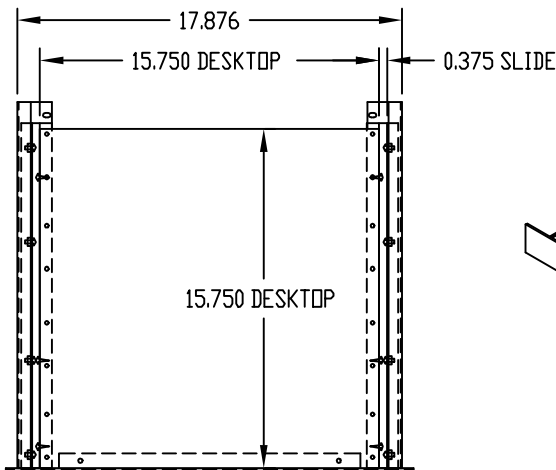
PART No.	PANEL SPACE	A	B
SA-1775	19.000	20.125	27.125
SA-1776	23.000	24.125	31.125

PART NAME

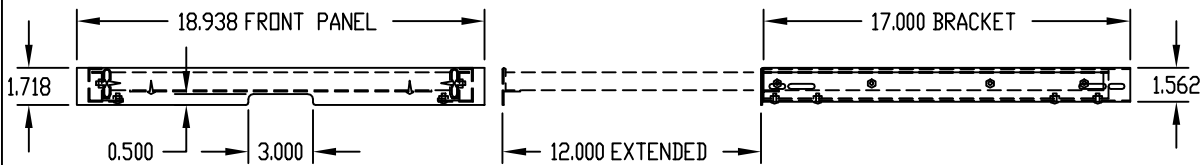
SLIDING DESKTOP

PART No.

60-2361



LOAD RATING: 50 LBS. MAX.



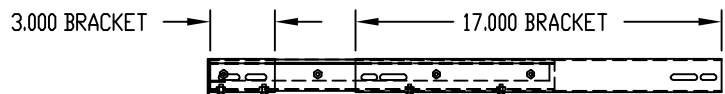
MATERIAL:

PANEL AND BRACKETS _____ 16 GA. STEEL
TOP _____ 3/4" THK. PLASTIC LAMINATE FACED PARTICLE BOARD

FINISH:

PANEL _____ METALLIC GRAY
_____ WHITE TEXTURE
_____ BLACK TEXTURE
BRACKETS _____ SMOOTH BLACK
TOP _____ ANTIQUE WHITE
SLIDES _____ BRIGHT ZINC PLATE

MOUNTING IN 17.000 CLEAR INSIDE DEPTH RACK



MOUNTING IN 20.500, 24.000 AND 29.250 CLEAR INSIDE DEPTH RACK