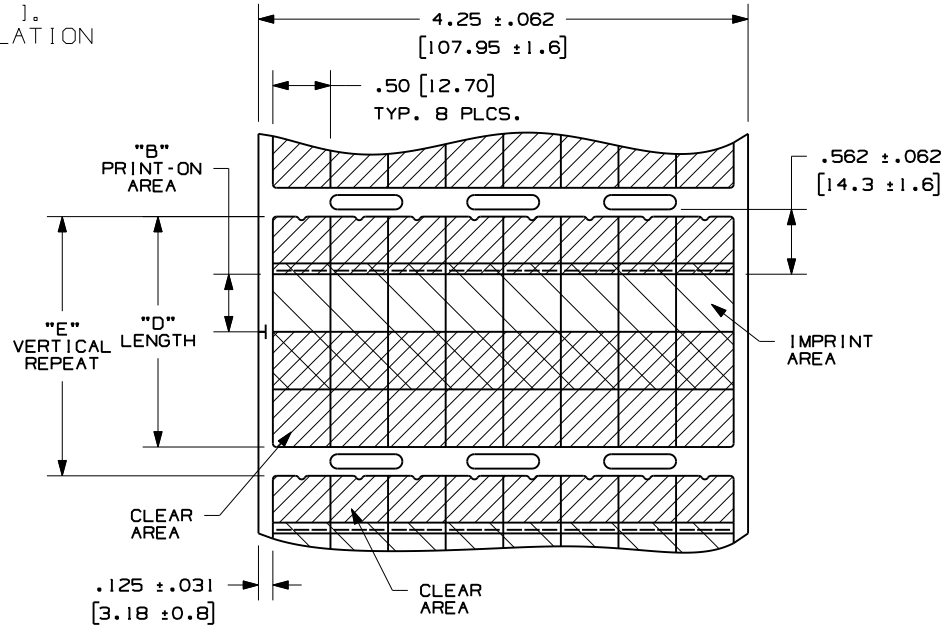


THIS COPY IS PROVIDED ON A RESTRICTED BASIS AND IS NOT TO BE USED IN ANY WAY DETRIMENTAL TO THE INTERESTS OF PANDUIT CORP.

PART NUMBER	APPLICATION DIAMETER RANGE	MATERIAL	* "B" +/- .062 PRINT ON AREA	"D" +/- .062 LENGTH	"E" REPEAT	LABELS PER ROW	STANDARD PKG. QTY.
R050X075VIT	.120-.160	GMH6	.25 [6.4]	1.25 [31.8]	1.50 [38.1]	8	5000
R050X125VIT	.160-.220	GMH6	.38 [9.5]	1.75 [44.5]	2.00 [50.8]	8	5000
R050X150VIT	.220-.280	GMH6	.50 [12.7]	2.00 [50.8]	2.25 [57.2]	8	5000

NOTES:
 1. MILLIMETERS ARE IN [].
 2. SEE B20392 FOR INSTALLATION INSTRUCTIONS.



CAD FILENAME/LAYERS 100147BC-DC-C10784/02A

PANDUIT CORP. TINLEY PARK, ILLINOIS

CUSTOMER DRAWING
 TURN TELL ROTATABLE
 SELF-LAMINATING LABEL, R050X***VIT

UNLESS OTHERWISE SPECIFIED,
 DIMENSIONAL TOLERANCES ARE:
 (.X) ± .12 (.XXX) ± .025
 (.XX) ± .062 ANGLES ±

UNLESS OTHERWISE SPECIFIED,
 ALL DIMENSIONS ARE GIVEN
 IN INCHES, THIRD ANGLE PROJECTION.

DRAWN BY
 RVU

MAT'L:

SCALE
 NTS

DATE
 3/1/11

SEE TABLE

DRAWING NO.

C10782

DWG
 A
 SIZE

0 3/1/11 RVU *RVU* DRAWING RELEASE.

6321 R

CHK'D *[Signature]*

REV DATE BY CHK DESCRIPTION

ECN - R CUST SUP