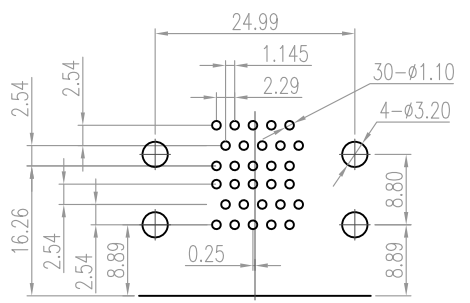
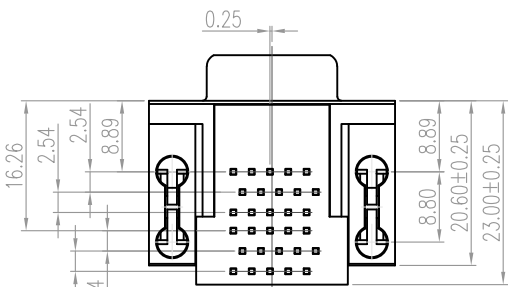
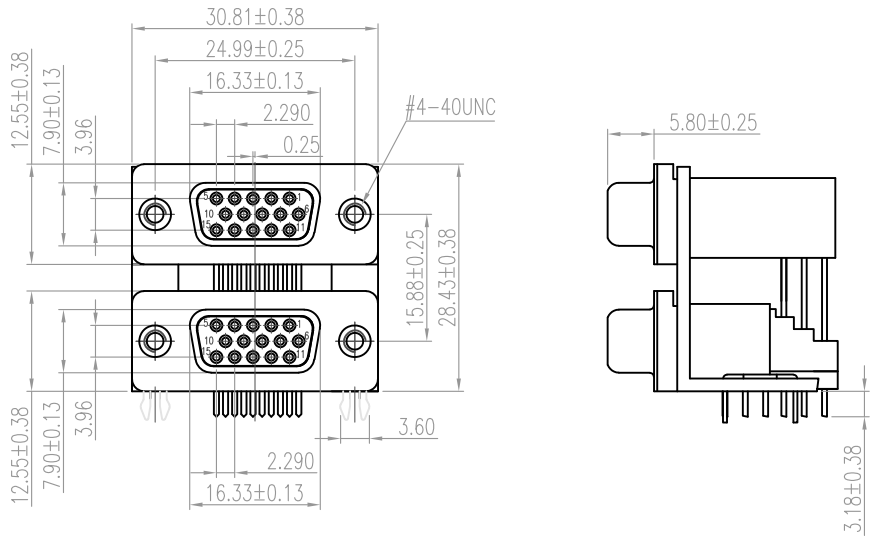


DESCRIPTION: HD // 15 POS // FEMALE OVER FEMALE // 0.625" CENTERS



£ P.C.B EDGE

RECOMMENDED P.C.B LAYOUT

ELECTRICAL CHARACTERISTICS

- VOLTAGE: 250 VAC (rms) Max.
- CURRENT RATING: 3 AMPS PER CONTACT
- CONTACT RESISTANCE: 25 MilliOhms Max.
- INSULATION RESISTANCE: 5000 MOhms Min.
- dIELECTRIC WITHSTANDING: 1000 VAC (rms)
- TOTAL MATING FORCE: 6.0 Kgf Max.
- TOTAL UNMATING FORCE: 1.2 Kgf Min.
- OPERATING TEMPERATURE: -55°C TO +85°C

MATERIAL CHARACTERISTICS

- HOUSING: PA9T, UL94V-0, BLACK
- CONTACTS: COPPER ALLOY
- SHELL: SPCC
- BOARDLOCK: COPPER ALLOY
- BRACKET: ZINC ALLOY
- SCREWLOCK: COPPER ALLOY

PLATING CHARACTERISTICS

- CONTACTS: SEE PART NUMBER KEY BELOW
- SHELL: NICKEL PLATED
- BOARDLOCK: TIN PLATED
- BRACKET: NICKEL PLATED
- SCREWLOCK: NICKEL PLATED


189-HYY-513R49Y

- SERIES _____
- POSITIONS _____
- H15 _____
- GENDER _____
- 51 = FEMALE OVER FEMALE
- SHELL PLATING _____
- 3 = NICKEL
- RoHS COMPLIANT (HIGH TEMP. PROCESS) _____
- HARDWARE OPTIONS _____
- 49 = 4-40 INSERTS/BOARD LOCKS
- PLATING OPTIONS _____
- 2 = 30u" GOLD PLATING MATING AREA & BRIGHT TIN IN SOLDER AREA
- 7 = GOLD FLASH OVER NICKEL IN MATING AREA WITH TIN OVER NICKEL TAILS

RoHS COMPLIANT

UNITS = mm

DO NOT SCALE FROM DRAWING

 THESE DRAWINGS AND SPECIFICATIONS ARE THE PROPERTY OF NorComp AND SHALL NOT BE REPRODUCED, COPIED OR USED AS THE BASIS FOR THE MANUFACTURE OR SALE OF APPARATUS WITHOUT WRITTEN PERMISSION.

DRAWN:
J. KADEL
DATE:
07/05/2018

NorComp

SCALE: NTS	SHEET 1	OF 1	REV 5
DWG NO.		189-H15-513R49Y	