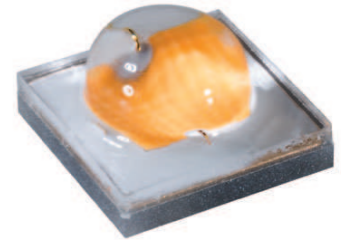


LCW CQAR.EC



This most compact high-power LED (2 W class) allows dense clustering and simple circuit designs. Its extremely low thermal resistance helps to keep the efficiency remarkably high even when driven at high currents. High reliability. Long lifetime.

Diese außerordentlich kompakte Hochleistungs-LED (2-W-Klasse) erlaubt eine dichte Anordnung und einfache Schaltungsentwürfe. Der äußerst niedrige Wärmewiderstand sorgt für einen hohen Wirkungsgrad auch bei hohen Strömen. Hohe Zuverlässigkeit. Lange Lebensdauer.

Features:

- **Package:** SMT ceramic package with silicone resin and silicone lens
- **Viewing angle at 50 % I_V:** 120°
- **Color:** 2400 K - 5000 K (warm and neutral white)
- **CRI:** min. 80 (typ. 83)
- **Luminous Flux:** typ. 213 lm @ 3000 K
- **Luminous efficacy:** typ. 100 lm/W @ 3000 K
- **Corrosion Robustness:** Superior Corrosion Robustness
- **Lumen Maintenance:** Test results according to IESNA LM-80 available

Applications

- Accent and effect lighting
- Museum lighting
- Shop lighting
- Spot lights
- Stage lighting
- Retrofits and fixtures

Besondere Merkmale:

- **Gehäusetyp:** SMT-Keramikgehäuse mit Silikonverguss und -linse
- **Abstrahlwinkel bei 50 % I_V:** 120°
- **Farbe:** 2400 K - 5000 K (warm- und neutralweiß)
- **CRI:** min. 80 (typ. 83)
- **Lichtstrom:** typ. 213 lm @ 3000 K
- **Lichtausbeute:** typ. 100 lm/W @ 3000 K
- **Korrosionsstabilität:** Höchste Korrosionsbeständigkeit
- **Lichtstromerhaltung:** Testergebnisse nach IESNA LM-80 verfügbar

Anwendungen

- Akzent- und Effektbeleuchtung
- Museumsbeleuchtung
- Ladenbeleuchtung
- Spot-Leuchten
- Bühnenbeleuchtung
- Retrofits

Ordering Information
Bestellinformation

| Type: | Color Temperature | Luminous Flux | Ordering Code |
|-------------------------|-------------------|---|---------------|
| Typ: | Farbtemperatur | Lichtstrom | Bestellnummer |
| | [K] | $I_F = 700 \text{ mA}$ $\Phi_V \text{ [lm]}$ | |
| LCW CQAR.EC-MQMS-5YC8-1 | 2400 | 194 ... 240 | Q65111A3016 |
| LCW CQAR.EC-MQMT-5U8X-1 | 2700 | 194 ... 259 | Q65111A2741 |
| LCW CQAR.EC-MQMS-5R8T-1 | 3000 | 194 ... 240 | Q65111A2119 |
| LCW CQAR.EC-MRMT-5R8T-1 | 3000 | 210 ... 259 | Q65111A2743 |
| LCW CQAR.EC-MQMS-5O8Q-1 | 3500 | 194 ... 240 | Q65111A2745 |
| LCW CQAR.EC-MRMT-5O8Q-1 | 3500 | 210 ... 259 | Q65111A2744 |
| LCW CQAR.EC-MRMT-5L7N-1 | 4000 | 210 ... 259 | Q65111A2614 |
| LCW CQAR.EC-MSMU-5L7N-1 | 4000 | 224 ... 280 | Q65111A3069 |
| LCW CQAR.EC-MSMU-5J7K-1 | 4500 | 224 ... 280 | Q65111A3012 |
| LCW CQAR.EC-MSMU-5H7I-1 | 5000 | 224 ... 280 | Q65111A3011 |
| LCW CQAR.EC-MTNP-5H7I-1 | 5000 | 240 ... 304 | Q65111A3010 |

Note: The above Type Numbers represent the order groups which include only a few brightness groups (see page 5). Only one group will be shipped on each packing unit (there will be no mixing of two groups on each packing unit). E. g. LCW CQAR.EC-MQMT-5U8X-1 means that only one group MQ, MR, MS, MT will be shippable for any packing unit.

In a similar manner for colors where color chromaticity coordinate groups are measured and binned, single groups will be shipped on any one packing unit. LCW CQAR.EC-MQMT-5U8X-1 means that the device will be shipped within the specified limits.

In a similar manner for colors where forward voltage groups are measured and binned, single forward voltage groups will be shipped on any packing unit. E. g. LCW CQAR.EC-MQMT-5U8X-1 means that only one forward voltage group L1,L2,M1,MX will be shippable.

Anm.: Die oben genannten Typbezeichnungen umfassen die bestellbaren Selektionen. Diese bestehen aus wenigen Helligkeitsgruppen (siehe Seite 5). Es wird nur eine einzige Helligkeitsgruppe pro Verpackungseinheit geliefert. Z. B. LCW CQAR.EC-MQMT-5U8X-1 bedeutet, dass in einer Verpackungseinheit nur eine der Helligkeitsgruppen MQ, MR, MS, MT enthalten ist.

Gleiches gilt für die Farben, bei denen Farbortgruppen gemessen und gruppiert werden. Pro Verpackungseinheit wird nur eine Farbortgruppe geliefert. Z.B. LCW CQAR.EC-MQMT-5U8X-1 bedeutet, dass in einer Verpackungseinheit nur eine der Farbortgruppen enthalten ist. LCW CQAR.EC-MQMT-5U8X-1 bedeutet, dass das Bauteil innerhalb der spezifizierten Grenzen geliefert wird.

Gleiches gilt für die LEDs, bei denen die Durchlassspannungsgruppen gemessen und gruppiert werden. Pro Verpackungseinheit wird nur eine Durchlassspannungsgruppe geliefert. Z. B. LCW CQAR.EC-MQMT-5U8X-1 bedeutet, dass nach Durchlassspannungsgruppen gruppiert wird. In einer Verpackungseinheit ist nur eine der Durchlassspannungsgruppen L1,L2,M1,MX enthalten (siehe Seite 5).

Maximum Ratings
Grenzwerte

| Parameter Bezeichnung | Symbol Symbol | Values Werte | Unit Einheit |
|---|------------------|-----------------|-----------------|
| Operating temperature range Betriebstemperatur | T_{op} | -40 ... 110 | °C |
| Storage temperature range Lagertemperatur | T_{stg} | -40 ... 110 | °C |
| Junction temperature absolute * Sperrschichttemperatur absolut * | $T_{j, abs}$ | 150 | °C |
| Junction temperature Sperrschichttemperatur | T_j | 125 | °C |
| Forward current Durchlassstrom ($T_S = 25\text{ °C}$) | I_F | 200 ... 1500 | mA |
| Surge current Stoßstrom | I_{FM} | 2000 | mA |
| Reverse current ^{2) page 26} Sperrstrom ^{2) Seite 26} | I_R | 200 | mA |
| ESD withstand voltage ESD Festigkeit (acc. to ANSI/ESDA/JEDEC JS-001 - HBM, Class 3B) | V_{ESD} | 8 | kV |

Note: * This is verified by testing 30 pieces. Pass criteria: No catastrophic failures allowed, luminous flux must be better than L70B50 after 1000 h.

Anm: * Dieser Wert wird durch den Test von 30 Bauteilen abgesichert. Dabei dürfen keine Totalausfälle auftreten und der Lichtstrom muß nach 1000 h über L70B50 liegen.

Characteristics ($T_S = 25\text{ °C}$; $I_F = 700\text{ mA}$)**Kennwerte**

| Parameter Bezeichnung | | Symbol Symbol | Values Werte | Unit Einheit |
|--|----------------------------|--|----------------------|-----------------|
| Viewing angle at 50 % I_V Abstrahlwinkel bei 50 % I_V | (typ.) | 2ϕ | 120 | ° |
| Forward voltage Durchlassspannung | (min.) (typ.) (max.) | V_F V_F V_F | 2.80 3.05 3.25 | V V V |
| Color rendering index Farbwiedergabe Index (2700 K - 5000 K) | (typ.) (min.) | R_a R_a | 83 80 | - - |
| Real thermal resistance junction / solder point <small>3) page 26</small> | (typ.) (max.) | $R_{th\ JS\ real}$ $R_{th\ JS\ real}$ | 3.8 5 | K/W K/W |
| Realer Wärmewiderstand Sperrschicht / Löt看 <small>3) Seite 26</small> | | | | |
| "Electrical" thermal resistance junction / solder point <small>3) page 26</small> | (typ.) (max.) | $R_{th\ JS\ el}$ $R_{th\ JS\ el}$ | 2.5 3.4 | K/W K/W |
| "Elektrischer" Wärmewiderstand Sperrschicht / Löt看 <small>3) Seite 26</small> (with efficiency $\eta_e = 33\%$) | | | | |

Note: Individual forward voltage groups see next page

Anm.: Durchlassspannungsgruppen siehe nächste Seite

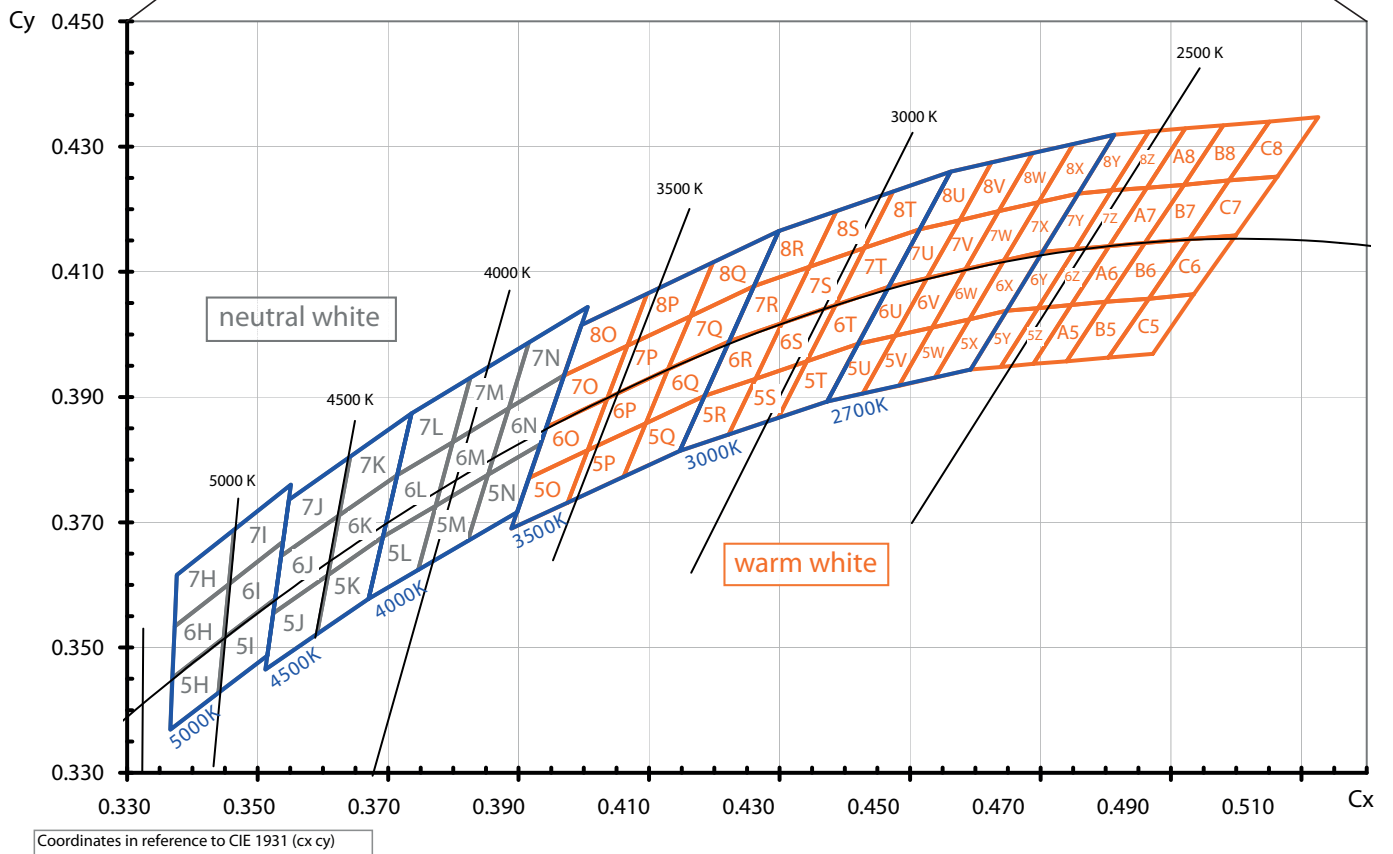
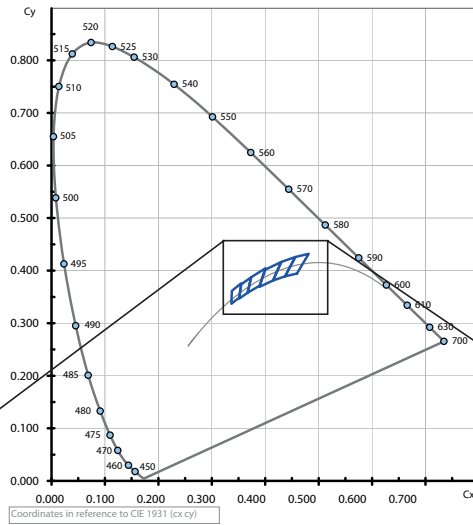
Brightness Groups
Helligkeitsgruppen

| Group | Luminous Flux ^{1) page 26} | Luminous Flux ^{1) page 26} | Luminous Intensity ^{4) page 26} |
|---------------|--|--|--|
| Gruppe | Lichtstrom ^{1) Seite 26} (min.) Φ_V [lm] | Lichtstrom ^{1) Seite 26} (max.) Φ_V [lm] | Lichtstärke ^{4) Seite 26} (typ.) I_V [cd] |
| MQ | 194 | 210 | 67 |
| MR | 210 | 224 | 72 |
| MS | 224 | 240 | 77 |
| MT | 240 | 259 | 82 |
| MU | 259 | 280 | 89 |
| NP | 280 | 304 | 96 |

Forward Voltage Groups
Durchlassspannungsgruppen

| Group | | |
|---------------|------------------------------------|------------------------------------|
| Gruppe | (min.) V_F [V] | (max.) V_F [V] |
| L1 | 2.80 | 2.90 |
| L2 | 2.90 | 3.00 |
| M1 | 3.00 | 3.10 |
| MX | 3.10 | 3.25 |

Chromaticity Coordinate Groups ⁵⁾ page 26
 Farbortgruppen ⁵⁾ Seite 26



Color Chromaticity Groups ^{5) page 26}
Farbortgruppen ^{5) Seite 26}

| Group Gruppe | Cx | Cy | Group Gruppe | Cx | Cy | Group Gruppe | Cx | Cy |
|--------------|--------|--------|--------------|--------|--------|--------------|--------|--------|
| A5 | 0.4689 | 0.3953 | 5M | 0.3746 | 0.3624 | 6T | 0.4342 | 0.3957 |
| | 0.4740 | 0.3957 | | 0.3773 | 0.3726 | | 0.4386 | 0.4048 |
| | 0.4747 | 0.4047 | | 0.3822 | 0.3670 | | 0.4420 | 0.3985 |
| | 0.4800 | 0.4052 | | 0.3853 | 0.3776 | | 0.4468 | 0.4077 |
| A6 | 0.4747 | 0.4047 | 6M | 0.3773 | 0.3726 | 7T | 0.4386 | 0.4048 |
| | 0.4800 | 0.4052 | | 0.3799 | 0.3828 | | 0.4430 | 0.4138 |
| | 0.4805 | 0.4141 | | 0.3853 | 0.3776 | | 0.4468 | 0.4077 |
| | 0.4860 | 0.4146 | | 0.3885 | 0.3882 | | 0.4515 | 0.4168 |
| A7 | 0.4805 | 0.4141 | 7M | 0.3799 | 0.3828 | 8T | 0.4430 | 0.4138 |
| | 0.4860 | 0.4146 | | 0.3826 | 0.3931 | | 0.4474 | 0.4228 |
| | 0.4863 | 0.4234 | | 0.3885 | 0.3882 | | 0.4515 | 0.4168 |
| | 0.4920 | 0.4239 | | 0.3916 | 0.3987 | | 0.4562 | 0.4260 |
| A8 | 0.4863 | 0.4234 | 5N | 0.3822 | 0.3670 | 5U | 0.4373 | 0.3893 |
| | 0.4920 | 0.4239 | | 0.3853 | 0.3776 | | 0.4420 | 0.3985 |
| | 0.4922 | 0.4329 | | 0.3898 | 0.3716 | | 0.4428 | 0.3906 |
| | 0.4980 | 0.4334 | | 0.3934 | 0.3825 | | 0.4477 | 0.3998 |
| B5 | 0.4740 | 0.3957 | 6N | 0.3853 | 0.3776 | 6U | 0.4420 | 0.3985 |
| | 0.4800 | 0.4052 | | 0.3885 | 0.3882 | | 0.4468 | 0.4077 |
| | 0.4804 | 0.3963 | | 0.3934 | 0.3825 | | 0.4477 | 0.3998 |
| | 0.4866 | 0.4057 | | 0.3970 | 0.3935 | | 0.4526 | 0.4090 |
| B6 | 0.4800 | 0.4052 | 7N | 0.3885 | 0.3882 | 7U | 0.4468 | 0.4077 |
| | 0.4860 | 0.4146 | | 0.3916 | 0.3987 | | 0.4515 | 0.4168 |
| | 0.4866 | 0.4057 | | 0.3970 | 0.3935 | | 0.4526 | 0.4090 |
| | 0.4928 | 0.4152 | | 0.4006 | 0.4044 | | 0.4576 | 0.4183 |
| B7 | 0.4860 | 0.4146 | 5O | 0.3890 | 0.3690 | 8U | 0.4515 | 0.4168 |
| | 0.4920 | 0.4239 | | 0.3916 | 0.3772 | | 0.4562 | 0.4260 |
| | 0.4928 | 0.4152 | | 0.3975 | 0.3731 | | 0.4576 | 0.4183 |
| | 0.4989 | 0.4246 | | 0.4006 | 0.3815 | | 0.4625 | 0.4275 |

| Group Gruppe | Cx | Cy | Group Gruppe | Cx | Cy | Group Gruppe | Cx | Cy |
|-----------------|--------|--------|-----------------|--------|--------|-----------------|--------|--------|
| B8 | 0.4920 | 0.4239 | 6O | 0.3916 | 0.3772 | 5V | 0.4428 | 0.3906 |
| | 0.4980 | 0.4334 | | 0.3943 | 0.3853 | | 0.4477 | 0.3998 |
| | 0.4989 | 0.4246 | | 0.4006 | 0.3815 | | 0.4483 | 0.3919 |
| | 0.5051 | 0.4340 | | 0.4036 | 0.3898 | | 0.4534 | 0.4011 |
| C5 | 0.4804 | 0.3963 | 7O | 0.3943 | 0.3853 | 6V | 0.4477 | 0.3998 |
| | 0.4866 | 0.4057 | | 0.3970 | 0.3934 | | 0.4526 | 0.4090 |
| | 0.4872 | 0.3969 | | 0.4036 | 0.3898 | | 0.4534 | 0.4011 |
| | 0.4935 | 0.4064 | | 0.4067 | 0.3982 | | 0.4585 | 0.4104 |
| C6 | 0.4866 | 0.4057 | 8O | 0.3970 | 0.3934 | 7V | 0.4526 | 0.4090 |
| | 0.4928 | 0.4152 | | 0.3997 | 0.4015 | | 0.4576 | 0.4183 |
| | 0.4935 | 0.4064 | | 0.4067 | 0.3982 | | 0.4585 | 0.4104 |
| | 0.4999 | 0.4158 | | 0.4097 | 0.4065 | | 0.4636 | 0.4197 |
| C7 | 0.4928 | 0.4152 | 5P | 0.3975 | 0.3731 | 8V | 0.4576 | 0.4183 |
| | 0.4989 | 0.4246 | | 0.4006 | 0.3815 | | 0.4625 | 0.4275 |
| | 0.4999 | 0.4158 | | 0.4061 | 0.3773 | | 0.4636 | 0.4197 |
| | 0.5063 | 0.4252 | | 0.4095 | 0.3858 | | 0.4688 | 0.4290 |
| C8 | 0.4989 | 0.4246 | 6P | 0.4006 | 0.3815 | 5W | 0.4483 | 0.3919 |
| | 0.5051 | 0.4340 | | 0.4036 | 0.3898 | | 0.4534 | 0.4011 |
| | 0.5063 | 0.4252 | | 0.4095 | 0.3858 | | 0.4538 | 0.3931 |
| | 0.5126 | 0.4347 | | 0.4130 | 0.3944 | | 0.4591 | 0.4025 |
| 5H | 0.3366 | 0.3369 | 7P | 0.4036 | 0.3898 | 6W | 0.4534 | 0.4011 |
| | 0.3369 | 0.3451 | | 0.4067 | 0.3982 | | 0.4585 | 0.4104 |
| | 0.3441 | 0.3428 | | 0.4130 | 0.3944 | | 0.4591 | 0.4025 |
| | 0.3448 | 0.3515 | | 0.4164 | 0.4029 | | 0.4644 | 0.4118 |
| 6H | 0.3369 | 0.3451 | 8P | 0.4067 | 0.3982 | 7W | 0.4585 | 0.4104 |
| | 0.3373 | 0.3534 | | 0.4097 | 0.4065 | | 0.4636 | 0.4197 |
| | 0.3448 | 0.3515 | | 0.4164 | 0.4029 | | 0.4644 | 0.4118 |
| | 0.3456 | 0.3601 | | 0.4198 | 0.4115 | | 0.4697 | 0.4211 |
| 7H | 0.3373 | 0.3534 | 5Q | 0.4061 | 0.3773 | 8W | 0.4636 | 0.4197 |
| | 0.3376 | 0.3616 | | 0.4095 | 0.3858 | | 0.4688 | 0.4290 |
| | 0.3456 | 0.3601 | | 0.4147 | 0.3814 | | 0.4697 | 0.4211 |
| | 0.3464 | 0.3688 | | 0.4185 | 0.3902 | | 0.4750 | 0.4304 |

| Group Gruppe | Cx | Cy | Group Gruppe | Cx | Cy | Group Gruppe | Cx | Cy |
|-----------------|--------|--------|-----------------|--------|--------|-----------------|--------|--------|
| 5I | 0.3441 | 0.3428 | 6Q | 0.4095 | 0.3858 | 5X | 0.4538 | 0.3931 |
| | 0.3448 | 0.3515 | | 0.4130 | 0.3944 | | 0.4591 | 0.4025 |
| | 0.3515 | 0.3487 | | 0.4185 | 0.3902 | | 0.4593 | 0.3944 |
| | 0.3527 | 0.3578 | | 0.4223 | 0.3990 | | 0.4648 | 0.4038 |
| 6I | 0.3448 | 0.3515 | 7Q | 0.4130 | 0.3944 | 6X | 0.4591 | 0.4025 |
| | 0.3456 | 0.3601 | | 0.4164 | 0.4029 | | 0.4644 | 0.4118 |
| | 0.3527 | 0.3578 | | 0.4223 | 0.3990 | | 0.4648 | 0.4038 |
| | 0.3539 | 0.3669 | | 0.4261 | 0.4077 | | 0.4703 | 0.4132 |
| 7I | 0.3456 | 0.3601 | 8Q | 0.4164 | 0.4029 | 7X | 0.4644 | 0.4118 |
| | 0.3464 | 0.3688 | | 0.4198 | 0.4115 | | 0.4697 | 0.4211 |
| | 0.3539 | 0.3669 | | 0.4261 | 0.4077 | | 0.4703 | 0.4132 |
| | 0.3551 | 0.3760 | | 0.4299 | 0.4165 | | 0.4758 | 0.4225 |
| 5J | 0.3512 | 0.3465 | 5R | 0.4147 | 0.3814 | 8X | 0.4697 | 0.4211 |
| | 0.3524 | 0.3555 | | 0.4185 | 0.3902 | | 0.4750 | 0.4304 |
| | 0.3591 | 0.3522 | | 0.4222 | 0.3840 | | 0.4758 | 0.4225 |
| | 0.3608 | 0.3616 | | 0.4263 | 0.3929 | | 0.4813 | 0.4319 |
| 6J | 0.3524 | 0.3555 | 6R | 0.4185 | 0.3902 | 5Y | 0.4593 | 0.3944 |
| | 0.3536 | 0.3646 | | 0.4223 | 0.3990 | | 0.4639 | 0.3948 |
| | 0.3608 | 0.3616 | | 0.4263 | 0.3929 | | 0.4648 | 0.4038 |
| | 0.3625 | 0.3711 | | 0.4305 | 0.4019 | | 0.4696 | 0.4042 |
| 7J | 0.3536 | 0.3646 | 7R | 0.4223 | 0.3990 | 6Y | 0.4648 | 0.4038 |
| | 0.3548 | 0.3736 | | 0.4261 | 0.4077 | | 0.4696 | 0.4042 |
| | 0.3625 | 0.3711 | | 0.4305 | 0.4019 | | 0.4703 | 0.4132 |
| | 0.3642 | 0.3805 | | 0.4346 | 0.4108 | | 0.4753 | 0.4136 |
| 5K | 0.3591 | 0.3522 | 8R | 0.4261 | 0.4077 | 7Y | 0.4703 | 0.4132 |
| | 0.3608 | 0.3616 | | 0.4299 | 0.4165 | | 0.4753 | 0.4136 |
| | 0.3670 | 0.3578 | | 0.4346 | 0.4108 | | 0.4758 | 0.4225 |
| | 0.3692 | 0.3677 | | 0.4387 | 0.4197 | | 0.4809 | 0.4230 |
| 6K | 0.3608 | 0.3616 | 5S | 0.4222 | 0.3840 | 8Y | 0.4758 | 0.4225 |
| | 0.3625 | 0.3711 | | 0.4263 | 0.3929 | | 0.4809 | 0.4230 |
| | 0.3692 | 0.3677 | | 0.4298 | 0.3867 | | 0.4813 | 0.4319 |
| | 0.3714 | 0.3775 | | 0.4342 | 0.3957 | | 0.4866 | 0.4324 |

| Group Gruppe | Cx | Cy | Group Gruppe | Cx | Cy | Group Gruppe | Cx | Cy |
|-----------------|--------|--------|-----------------|--------|--------|-----------------|--------|--------|
| 7K | 0.3625 | 0.3711 | 6S | 0.4263 | 0.3929 | 5Z | 0.4639 | 0.3948 |
| | 0.3642 | 0.3805 | | 0.4305 | 0.4019 | | 0.4689 | 0.3953 |
| | 0.3714 | 0.3775 | | 0.4342 | 0.3957 | | 0.4696 | 0.4042 |
| | 0.3736 | 0.3874 | | 0.4386 | 0.4048 | | 0.4747 | 0.4047 |
| 5L | 0.3670 | 0.3578 | 7S | 0.4305 | 0.4019 | 6Z | 0.4696 | 0.4042 |
| | 0.3692 | 0.3677 | | 0.4346 | 0.4108 | | 0.4747 | 0.4047 |
| | 0.3746 | 0.3624 | | 0.4386 | 0.4048 | | 0.4753 | 0.4136 |
| | 0.3773 | 0.3726 | | 0.4430 | 0.4138 | | 0.4805 | 0.4141 |
| 6L | 0.3692 | 0.3677 | 8S | 0.4346 | 0.4108 | 7Z | 0.4753 | 0.4136 |
| | 0.3714 | 0.3775 | | 0.4387 | 0.4197 | | 0.4805 | 0.4141 |
| | 0.3773 | 0.3726 | | 0.4430 | 0.4138 | | 0.4809 | 0.4230 |
| | 0.3799 | 0.3828 | | 0.4474 | 0.4228 | | 0.4863 | 0.4234 |
| 7L | 0.3714 | 0.3775 | 5T | 0.4298 | 0.3867 | 8Z | 0.4809 | 0.4230 |
| | 0.3736 | 0.3874 | | 0.4342 | 0.3957 | | 0.4863 | 0.4234 |
| | 0.3799 | 0.3828 | | 0.4373 | 0.3893 | | 0.4866 | 0.4324 |
| | 0.3826 | 0.3931 | | 0.4420 | 0.3985 | | 0.4922 | 0.4329 |

Group Name on Label**Gruppenbezeichnung auf Etikett**

Example: MQ-5U-L1

Beispiel: MQ-5U-L1

| Brightness Helligkeit | Chromaticity Coordinate Farbort | Forward Voltage Durchlassspannung |
|--------------------------|------------------------------------|--------------------------------------|
| MQ | 5U | L1 |

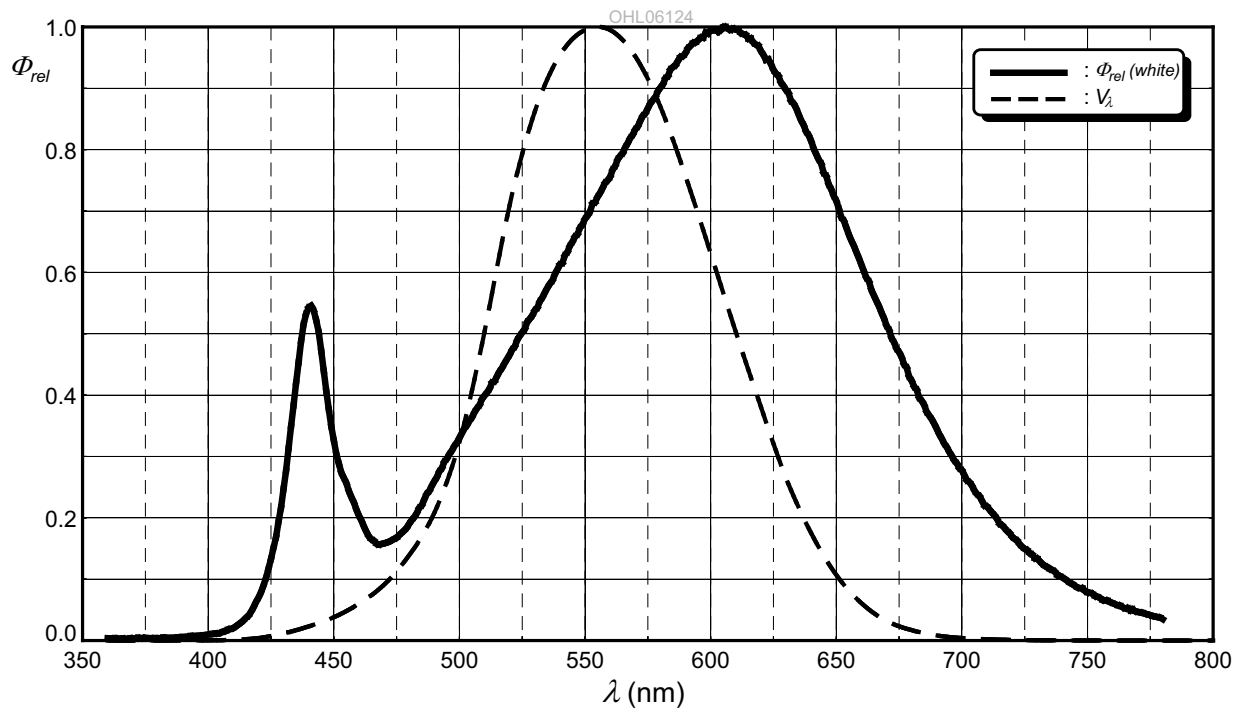
Note: No packing unit / tape ever contains more than one group for each selection.

Anm.: In einer Verpackungseinheit / Gurt ist immer nur eine Gruppe für jede Selektion enthalten.

Relative Spectral Emission - $V(\lambda) = \text{Standard eye response curve}$ ^{4) page 26}

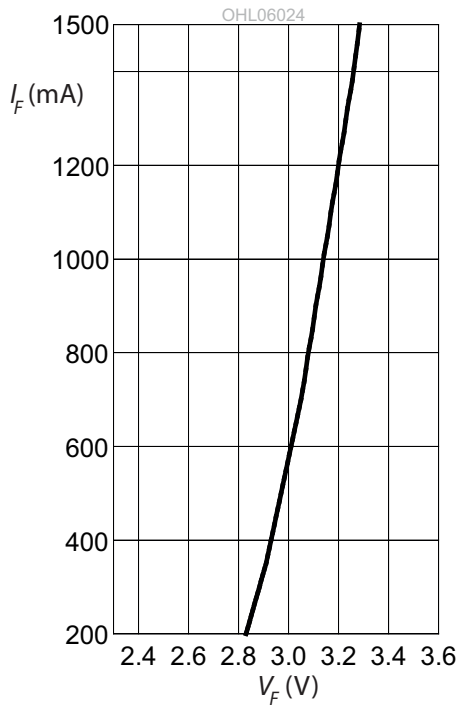
Relative spektrale Emission - $V(\lambda) = \text{spektrale Augenempfindlichkeit}$ ^{4) Seite 26}

$\Phi_{\text{rel}} = f(\lambda)$; $T_S = 25\text{ }^\circ\text{C}$; $I_F = 700\text{ mA}$



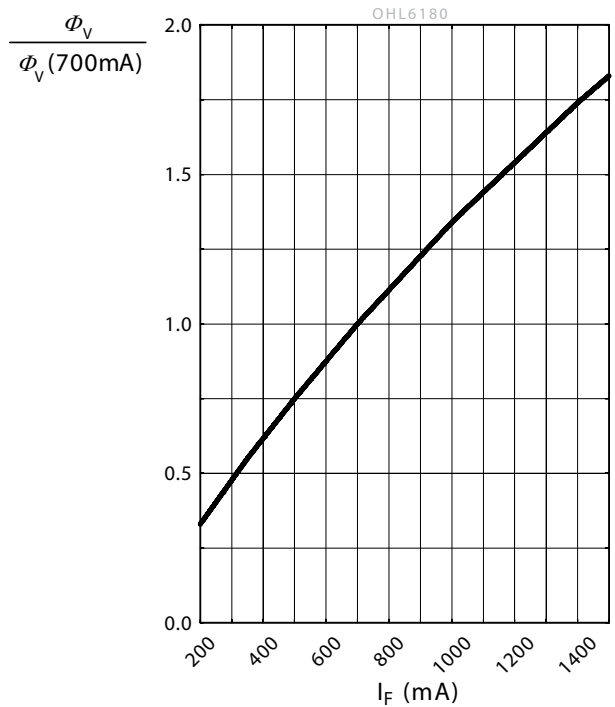
Forward Current ^{4) page 26 , 6) page 26}
Durchlassstrom ^{4) Seite 26 , 6) Seite 26}

$I_F = f(V_F); T_S = 25\text{ °C}$



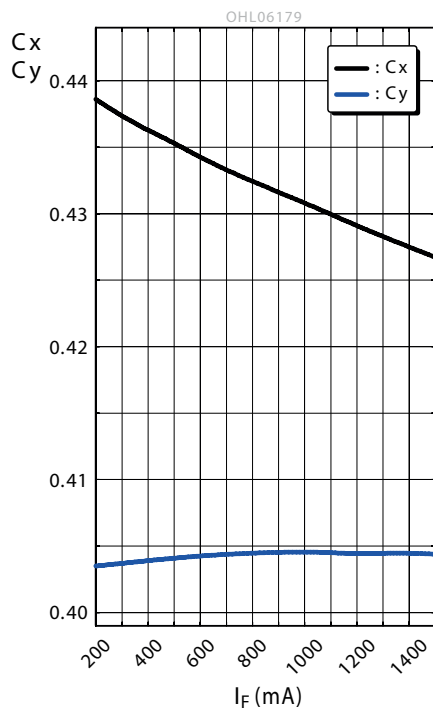
Relative Luminous Flux ^{4) page 26 , 6) page 26}
Relativer Lichtstrom ^{4) Seite 26 , 6) Seite 26}

$\Phi_V / \Phi_V(700\text{ mA}) = f(I_F); T_S = 25\text{ °C}$



Chromaticity Coordinate Shift ^{4) page 26}
Farbortverschiebung ^{4) Seite 26}

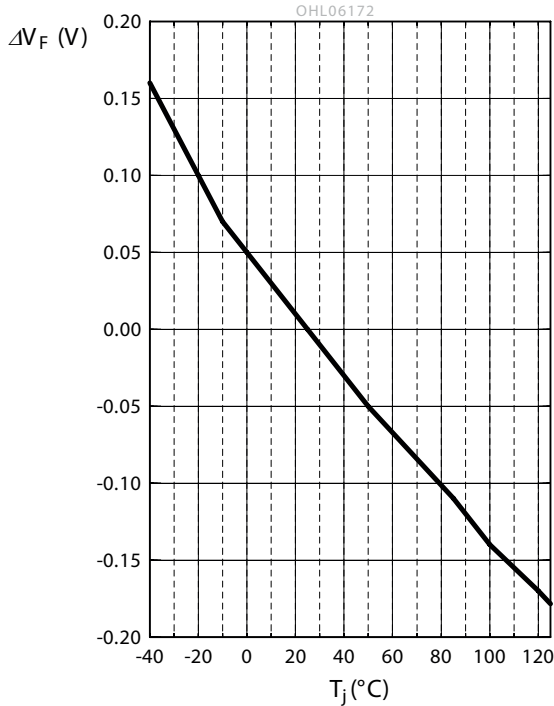
$C_x, C_y = f(I_F); T_S = 25\text{ °C}$



Relative Forward Voltage ^{4) page 26}

Relative Vorwärtsspannung ^{4) Seite 26}

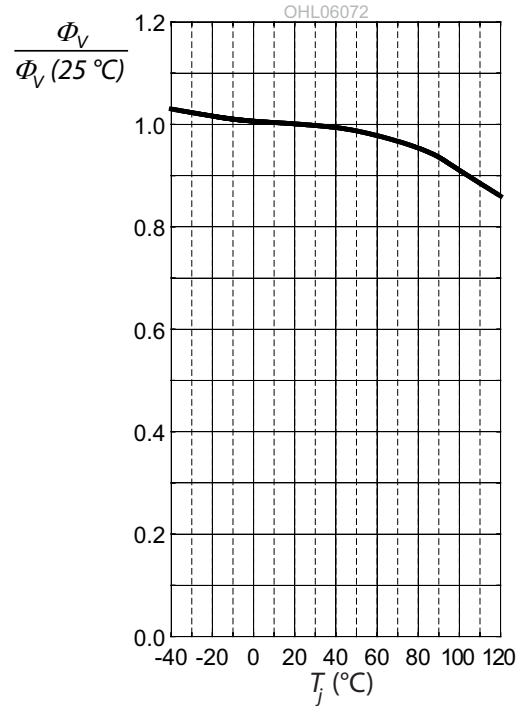
$\Delta V_F = V_F - V_F(25\text{ °C}) = f(T_j); I_F = 700\text{ mA}$



Relative Luminous Flux ^{4) page 26}

Relativer Lichtstrom ^{4) Seite 26}

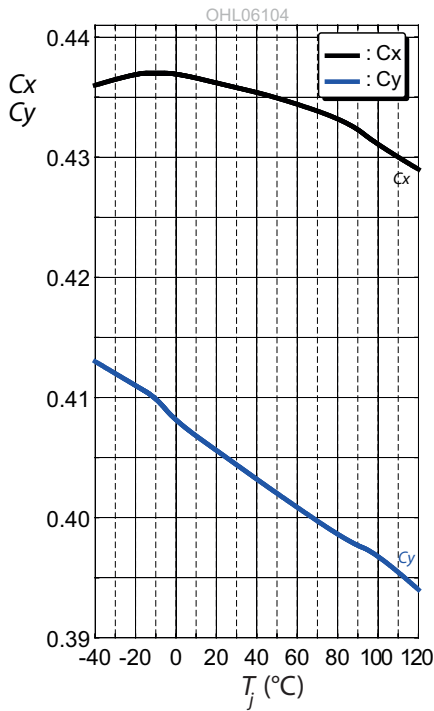
$\Phi_V / \Phi_V(25\text{ °C}) = f(T_j); I_F = 700\text{ mA}$



Chromaticity Coordinate Shift ^{4) page 26}

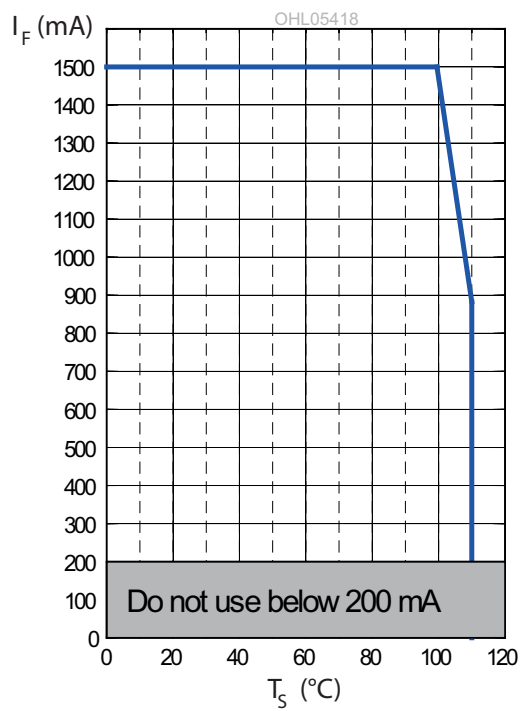
Farbortverschiebung ^{4) Seite 26}

$C_x, C_y = f(T_j); I_F = 700\text{ mA}$

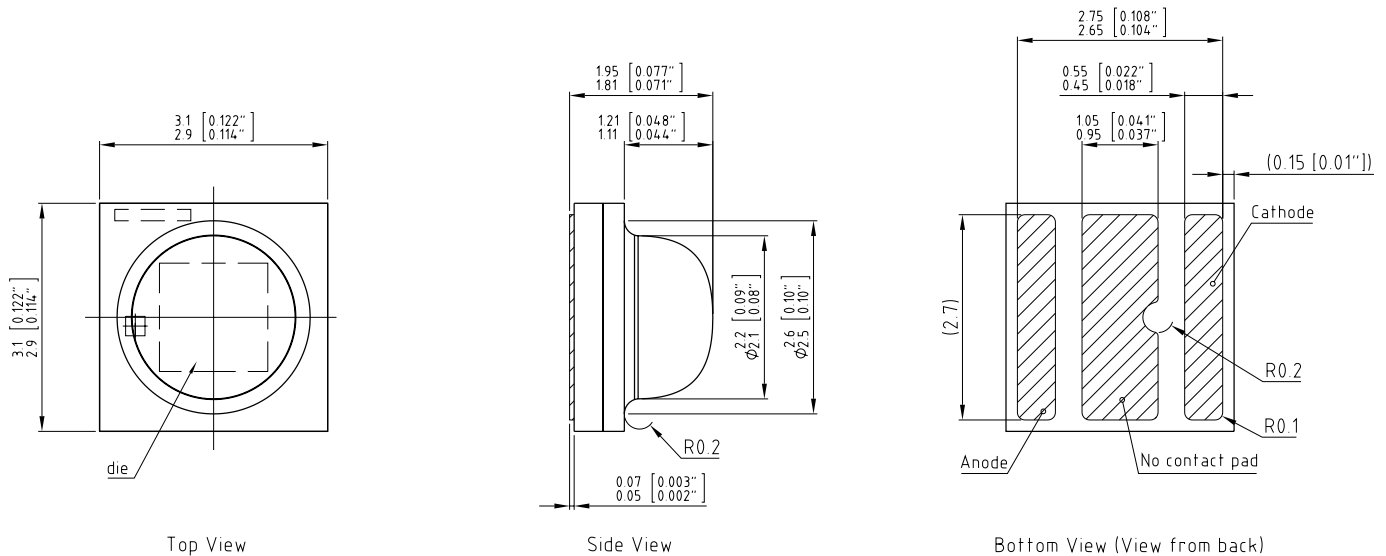


Max. Permissible Forward Current
Max. zulässiger Durchlassstrom

$$I_F = f(T)$$



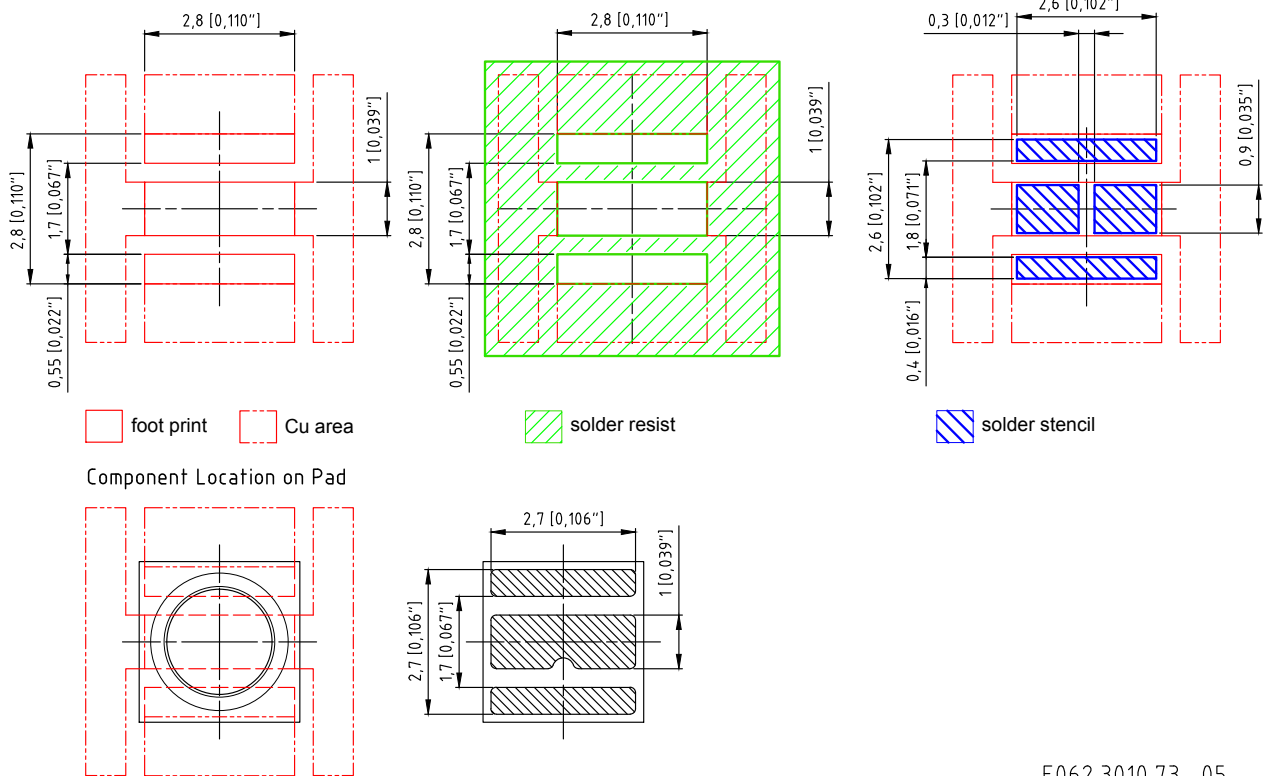
Package Outline ^{7) page 26}
 Maßzeichnung ^{7) Seite 26}



C67062-A0017-A1-06

| | |
|------------------------------|---|
| Approximate Weight: | 29 mg |
| Gewicht: | 29 mg |
| Mark: | Cathode |
| Markierung: | Kathode |
| ESD information: | LED is protected by ESD device which is connected in parallel to LED-Chip. |
| ESD Information: | Die LED enthält ein ESD-Bauteil, das parallel zum Chip geschaltet ist. |
| Corrosion robustness: | <p>Test conditions: 40 °C / 90 % rh / 15 ppm H₂S / 336 h</p> <p>= Stricter than IEC 60068-2-43 (H₂S) [25°C / 75 % rh / 10 ppm H₂S / 21 days]</p> <p>= Regarding relevant gas (H₂S) stricter than EN 60068-2-60 (method 4) [25 °C / 75 % rh / 200 ppb SO₂, 200 ppb NO₂, 10 ppb Cl₂ / 21 days]</p> |
| Korrosionsfestigkeit: | <p>Test Kondition: 40°C / 90 % rh / 15 ppm H₂S / 336 h</p> <p>= Besser als IEC 60068-2-43 (H₂S) [25°C / 75 % rh / 10 ppm H₂S / 21 Tage]</p> <p>= Bezogen auf das Gas (H₂S) besser als EN 60068-2-60 (method 4) [25°C / 75 % rh / 200ppb SO₂, 200ppb NO₂, 10ppb Cl₂ / 21 Tage]</p> |

Recommended Solder Pad ^{7) page 26}
Empfohlenes Lötpadding ^{7) Seite 26}



E062.3010.73 -05

Note:

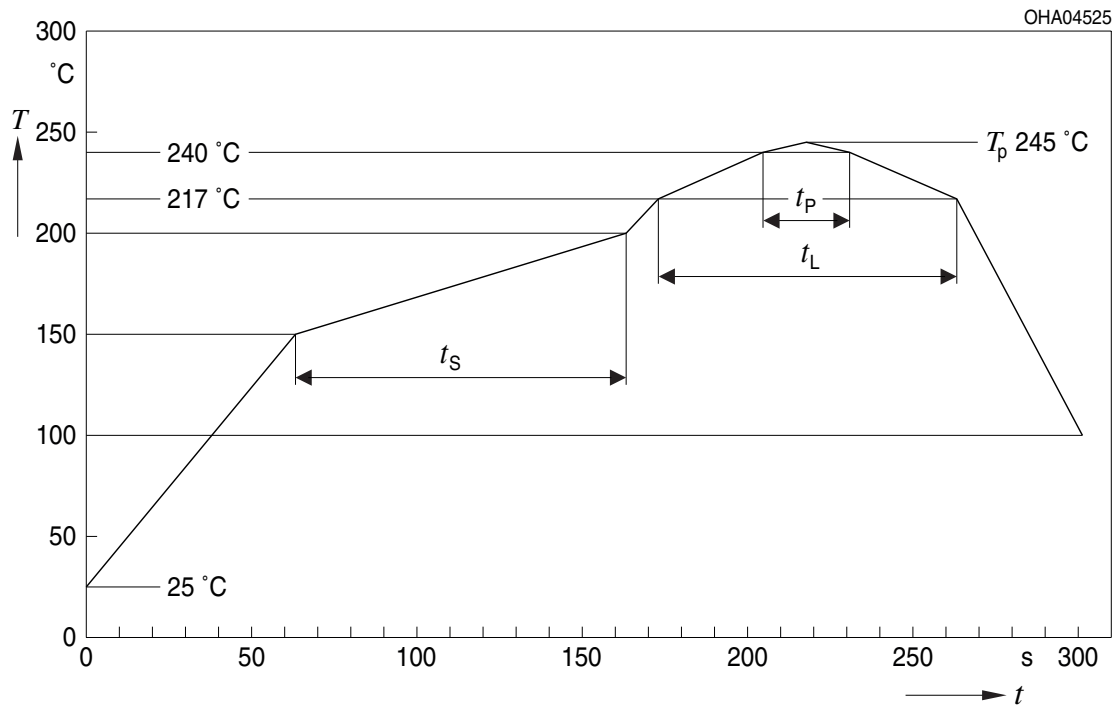
For superior solder joint connectivity results we recommend soldering under standard nitrogen atmosphere. For further information please refer to our Application Note "Handling and Processing Details for Ceramic LEDs".

Anm.:

Um eine verbesserte Lötstellenkontaktierung zu erreichen, empfehlen wir, unter Standard-Stickstoffatmosphäre zu löten. Weitere Informationen finden Sie in der Applikationsschrift „Handling and Processing Details for Ceramic LEDs“.

Reflow Soldering Profile Reflow-Lötprofil

Product complies to MSL Level 2 acc. to JEDEC J-STD-020E



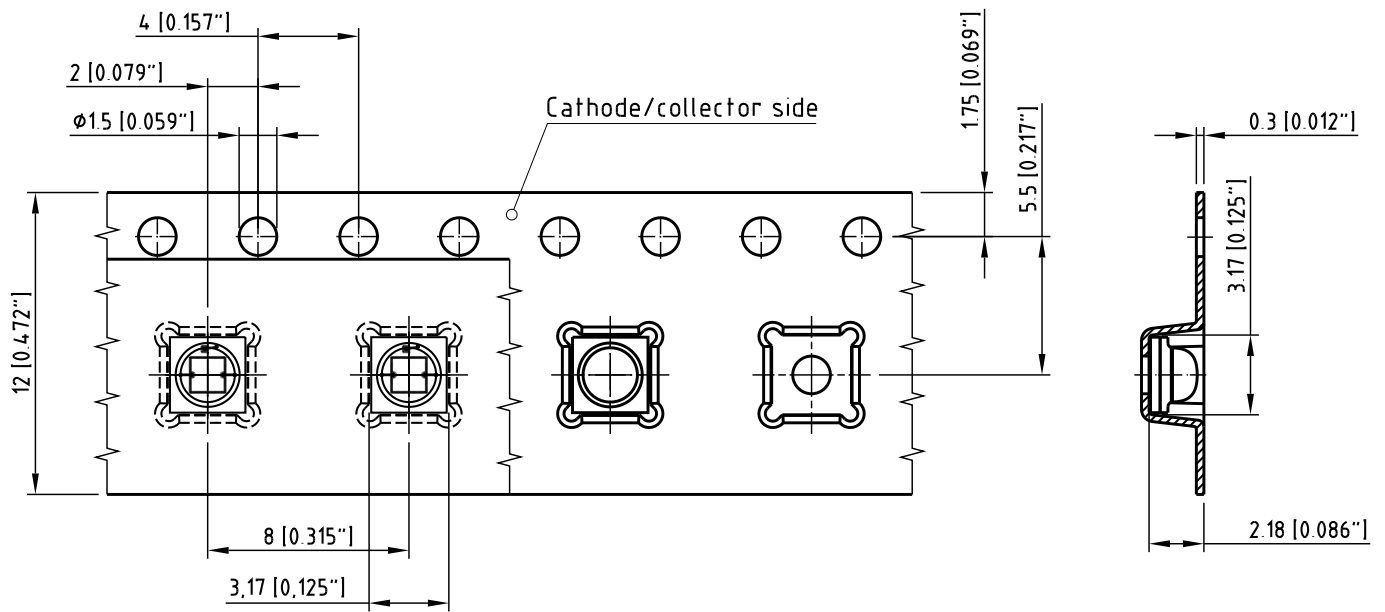
OHA04612

| Profile Feature Profil-Charakteristik | Symbol Symbol | Pb-Free (SnAgCu) Assembly | | | Unit Einheit |
|---|------------------|---------------------------|----------------|---------|-----------------|
| | | Minimum | Recommendation | Maximum | |
| Ramp-up rate to preheat*) 25 °C to 150 °C | | | 2 | 3 | K/s |
| Time t_S T_{Smin} to T_{Smax} | t_S | 60 | 100 | 120 | s |
| Ramp-up rate to peak*) T_{Smax} to T_P | | | 2 | 3 | K/s |
| Liquidus temperature | T_L | | 217 | | °C |
| Time above liquidus temperature | t_L | | 80 | 100 | s |
| Peak temperature | T_P | | 245 | 260 | °C |
| Time within 5 °C of the specified peak temperature $T_P - 5$ K | t_p | 10 | 20 | 30 | s |
| Ramp-down rate* T_P to 100 °C | | | 3 | 6 | K/s |
| Time 25 °C to T_P | | | | 480 | s |

All temperatures refer to the center of the package, measured on the top of the component

* slope calculation DT/Dt : Dt max. 5 s; fulfillment for the whole T-range

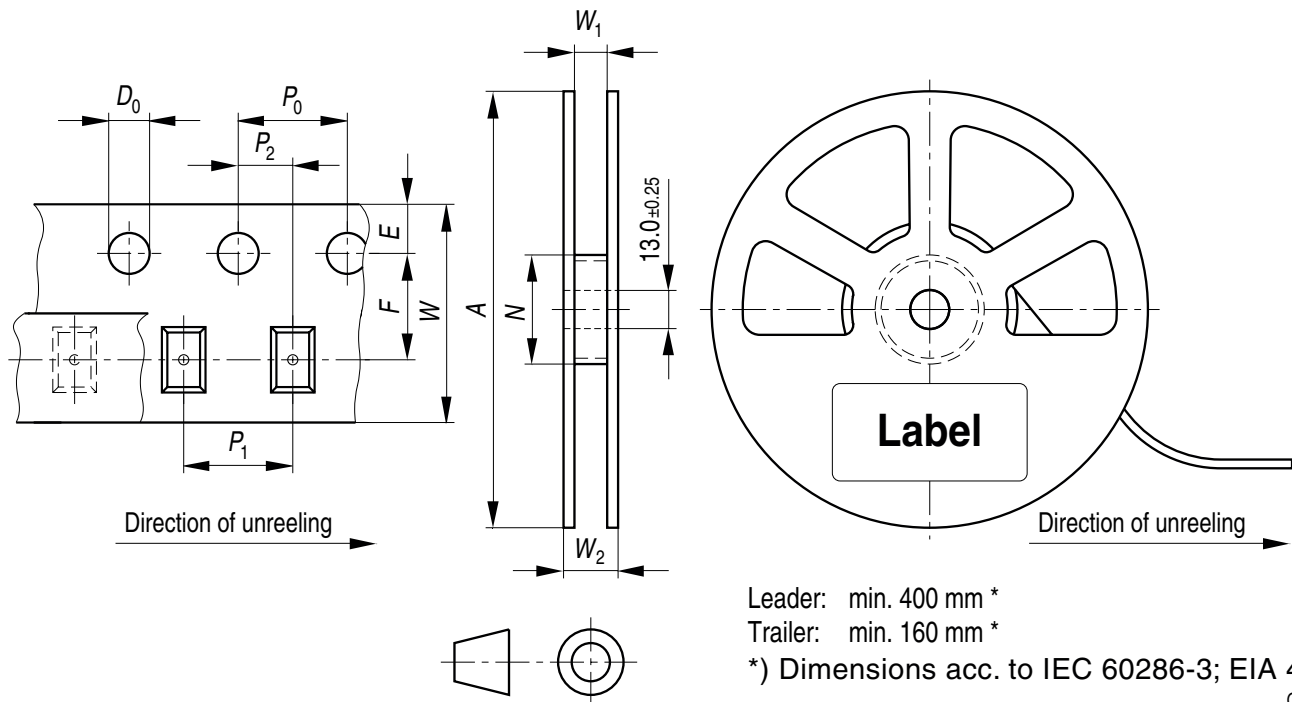
Taping ^{7) page 26}
Gurtung ^{7) Seite 26}



C67062-A0017-B5-08

Tape and Reel Gurtverpackung

12 mm tape with 600 pcs. on \varnothing 180 mm reel



Tape dimensions [mm] Gurtmaße [mm]

| W | P ₀ | P ₁ | P ₂ | D ₀ | E | F |
|------------------|----------------|--------------------------|----------------|----------------|------------|------------|
| 12 + 0.3 / - 0.1 | 4 ± 0.1 | 4 ± 0.1 or 8 ± 0.1 | 2 ± 0.05 | 1.5 ± 0.1 | 1.75 ± 0.1 | 5.5 ± 0.05 |

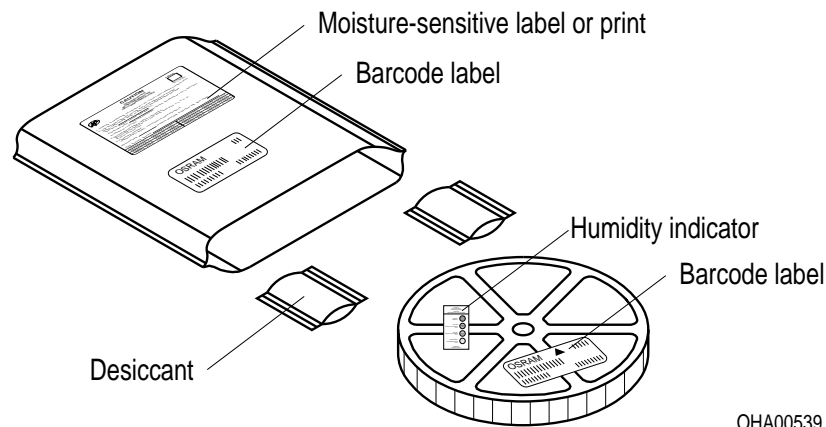
Reel dimensions [mm] Rollenmaße [mm]

| A | W | N _{min} | W ₁ | W _{2max} |
|-----|----|------------------|----------------|-------------------|
| 180 | 12 | 60 | 12.4 + 2 | 18.4 |

Barcode-Product-Label (BPL) Barcode-Produkt-Etikett (BPL)



Dry Packing Process and Materials Trockenverpackung und Materialien



Note:

Moisture-sensitive product is packed in a dry bag containing desiccant and a humidity card.

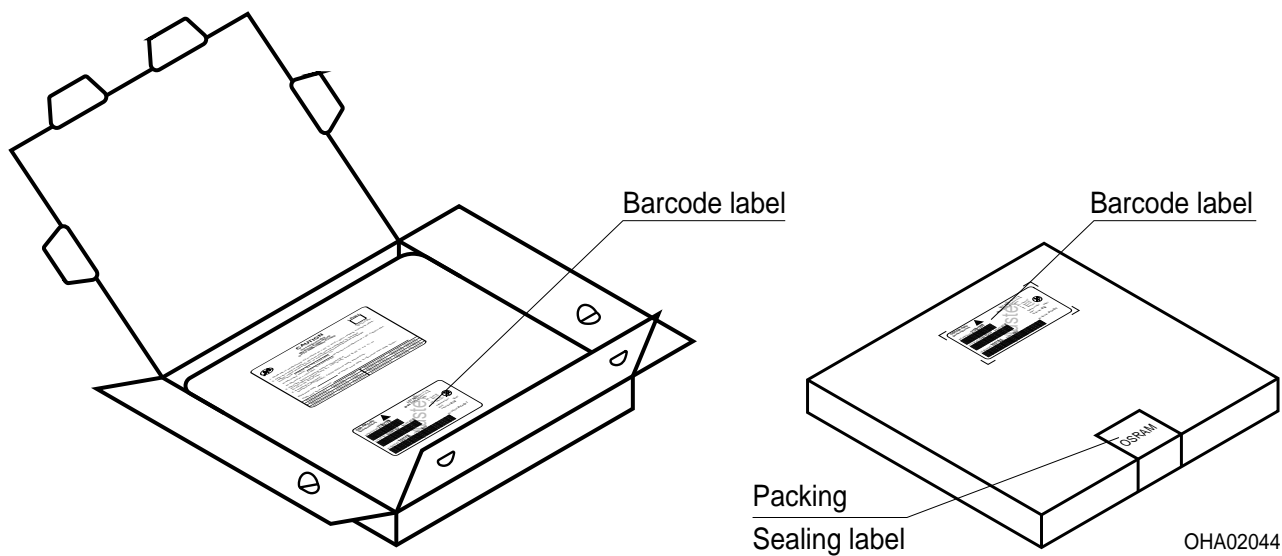
Regarding dry pack you will find further information in the internet and in the Short Form Catalog in chapter "Tape and Reel" under the topic "Dry Pack". Here you will also find the normative references like JEDEC.

Anm.:

Feuchteempfindliche Produkte sind verpackt in einem Trockenbeutel zusammen mit einem Trockenmittel und einer Feuchteindikatorkarte.

Bezüglich Trockenverpackung finden Sie weitere Hinweise im Internet und in unserem Short Form Catalog im Kapitel "Gurtung und Verpackung" unter dem Punkt "Trockenverpackung". Hier sind Normenbezüge, unter anderem ein Auszug der JEDEC-Norm, enthalten.

Transportation Packing and Materials Kartonverpackung und Materialien



Dimensions of transportation box in mm

| Width Breite | Length Länge | Height Höhe |
|-----------------|-----------------|----------------|
| 195 ± 5 | 195 ± 5 | 30 ± 5 |

Notes

The evaluation of eye safety occurs according to the standard IEC 62471:2008 ("photobiological safety of lamps and lamp systems"). Within the risk grouping system of this CIE standard, the LED specified in this data sheet fall into the class Moderate risk (exposure time 0.25 s). Under real circumstances (for exposure time, eye pupils, observation distance), it is assumed that no endangerment to the eye exists from these devices. As a matter of principle, however, it should be mentioned that intense light sources have a high secondary exposure potential due to their blinding effect. As is also true when viewing other bright light sources (e.g. spotlights), temporary reduction in visual acuity and afterimages can occur, leading to irritation, annoyance, visual impairment, and even accidents, depending on the situation.

Subcomponents of this LED contain, among other substances, goldplated and Ag-filled materials. In spite of the improved corrosion stability of this LED, it can be affected by environments that contain very high concentrations of aggressive substances. Therefore, we recommend avoiding aggressive atmospheres during storage, production and use.

This LED is designed for specific/recommended applications only. Please consult OSRAM Opto Semiconductors Sales Staff in advance for detailed information on other non-recommended applications (e.g. automotive)

OR

Please visit www.osram-os.com/apnotes.

Change management for this component is aligned with the requirements of the lighting market.

Hinweise

Die Bewertung der Augensicherheit erfolgt nach dem Standard IEC 62471:2008 ("photobiological safety of lamps and lamp systems"). Im Risikogruppensystem dieser CIE-Norm erfüllen die in diesem Datenblatt angegebenen LEDs folgende Gruppenanforderung - Moderate risk (Expositionsdauer 0,25 s). Unter realen Umständen (für Expositionsdauer, Augenpupille, Betrachtungsabstand) geht damit von diesen Bauelementen keinerlei Augengefährdung aus. Grundsätzlich sollte jedoch erwähnt werden, dass intensive Lichtquellen durch ihre Blendwirkung ein hohes sekundäres Gefahrenpotenzial besitzen. Nach einem Blick in eine helle Lichtquelle (z.B. Spotlights), kann ein temporär eingeschränktes Sehvermögen oder auch Nachbilder zu Irritationen, Belästigungen, Beeinträchtigungen oder sogar Unfällen führen.

Einzelkomponenten dieser LED enthalten u.a. goldbeschichtete und Ag-gefüllte Materialien. Trotz der verbesserten Korrosionsstabilität dieser LED können Einzelkomponenten durch sehr hohe Konzentration aggressiver Substanzen angegriffen werden. Aus diesem Grund wird empfohlen, aggressive Umgebungen während der Lagerung, Produktion und im Betrieb zu vermeiden.

Die LED ist ausschließlich für spezifisch empfohlene Anwendungen konzipiert. Bitte kontaktieren Sie das OSRAM Opto Semiconductors Vertriebspersonal für detaillierte Informationen über nicht empfohlene Anwendungsbereiche (z.B. Automobilbereich), oder besuchen Sie

www.osram-os.com/apnotes

Das Änderungsmanagement dieses Bauteils ist an den Anforderungen des Lichtmarktes ausgerichtet.

Disclaimer

Language english will prevail in case of any discrepancies or deviations between the two language wordings.

Attention please!

The information describes the type of component and shall not be considered as assured characteristics.

Terms of delivery and rights to change design reserved. Due to technical requirements components may contain dangerous substances.

For information on the types in question please contact our Sales Organization.

If printed or downloaded, please find the latest version in the Internet.

Packing

Please use the recycling operators known to you. We can also help you – get in touch with your nearest sales office.

By agreement we will take packing material back, if it is sorted. You must bear the costs of transport. For packing material that is returned to us unsorted or which we are not obliged to accept, we shall have to invoice you for any costs incurred.

Components used in life-support devices or systems must be expressly authorized for such purpose!

Critical components* may only be used in life-support devices** or systems with the express written approval of OSRAM OS.

*) A critical component is a component used in a life-support device or system whose failure can reasonably be expected to cause the failure of that life-support device or system, or to affect its safety or the effectiveness of that device or system.

**) Life support devices or systems are intended (a) to be implanted in the human body, or (b) to support and/or maintain and sustain human life. If they fail, it is reasonable to assume that the health and the life of the user may be endangered.

Disclaimer

Bei abweichenden Angaben im zweisprachigen Wortlaut haben die Angaben in englischer Sprache Vorrang.

Bitte beachten!

Lieferbedingungen und Änderungen im Design vorbehalten. Aufgrund technischer Anforderungen können die Bauteile Gefahrstoffe enthalten. Für weitere Informationen zu gewünschten Bauteilen, wenden Sie sich bitte an unseren Vertrieb. Falls Sie dieses Datenblatt ausgedruckt oder heruntergeladen haben, finden Sie die aktuellste Version im Internet.

Verpackung

Benutzen Sie bitte die Ihnen bekannten Recyclingwege. Wenn diese nicht bekannt sein sollten, wenden Sie sich bitte an das nächstgelegene Vertriebsbüro. Wir nehmen das Verpackungsmaterial zurück, falls dies vereinbart wurde und das Material sortiert ist. Sie tragen die Transportkosten. Für Verpackungsmaterial, das unsortiert an uns zurückgeschickt wird oder das wir nicht annehmen müssen, stellen wir Ihnen die anfallenden Kosten in Rechnung.

Bauteile, die in lebenserhaltenden Apparaten und Systemen eingesetzt werden, müssen für diese Zwecke ausdrücklich zugelassen sein!

Kritische Bauteile* dürfen in lebenserhaltenden Apparaten und Systemen** nur dann eingesetzt werden, wenn ein schriftliches Einverständnis von OSRAM OS vorliegt.

*) Ein kritisches Bauteil ist ein Bauteil, das in lebenserhaltenden Apparaten oder Systemen eingesetzt wird und dessen Defekt voraussichtlich zu einer Fehlfunktion dieses lebenserhaltenden Apparates oder Systems führen wird oder die Sicherheit oder Effektivität dieses Apparates oder Systems beeinträchtigt.

**) Lebenserhaltende Apparate oder Systeme sind für (a) die Implantierung in den menschlichen Körper oder (b) für die Lebenserhaltung bestimmt. Falls Sie versagen, kann davon ausgegangen werden, dass die Gesundheit und das Leben des Patienten in Gefahr ist.

Glossary

- 1) **Brightness:** Brightness values are measured during a current pulse of typically 10 ms, with a tolerance of +/- 7%.
- 2) **Reverse Operation:** A minimum of 10 hours of reverse operation is permissible in total.
- 3) **Thermal Resistance:** $R_{th\ max}$ is based on statistic values (6σ).
- 4) **Typical Values:** Due to the special conditions of the manufacturing processes of LED, the typical data or calculated correlations of technical parameters can only reflect statistical figures. These do not necessarily correspond to the actual parameters of each single product, which could differ from the typical data and calculated correlations or the typical characteristic line. If requested, e.g. because of technical improvements, these typ. data will be changed without any further notice.
- 5) **Chromaticity coordinate groups:** Chromaticity coordinates are measured during a current pulse of typically 25 ms, with an internal reproducibility of ± 0.005 and an expanded uncertainty of ± 0.01 (acc. to GUM with a coverage factor of $k = 3$).
- 6) **Characteristic curve:** In the range where the line of the graph is broken, you must expect higher differences between single LEDs within one packing unit.
- 7) **Tolerance of Measure:** Unless otherwise noted in drawing, tolerances are specified with ± 0.1 and dimensions are specified in mm.

Glossar

- 1) **Helligkeit:** Helligkeitswerte werden während eines Strompulses mit einer typischen Dauer von 10 ms, mit einer Genauigkeit von $\pm 7\%$ ermittelt.
- 2) **Betrieb in Sperrrichtung:** Eine Gesamtbetriebszeit von wenigstens 10 Stunden in Sperrrichtung ist gewährleistet.
- 3) **Wärmewiderstand:** $R_{th\ max}$ basiert auf statistischen Werten (6σ).
- 4) **Typische Werte:** Wegen der besonderen Prozessbedingungen bei der Herstellung von LED können typische oder abgeleitete technische Parameter nur aufgrund statistischer Werte wiedergegeben werden. Diese stimmen nicht notwendigerweise mit den Werten jedes einzelnen Produktes überein, dessen Werte sich von typischen und abgeleiteten Werten oder typischen Kennlinien unterscheiden können. Falls erforderlich, z.B. aufgrund technischer Verbesserungen, werden diese typischen Werte ohne weitere Ankündigung geändert.
- 5) **Farbortgruppen:** Farbkoordinaten werden während eines Strompulses einer typischen Dauer von 25 ms, mit einer internen Reproduzierbarkeit von $\pm 0,005$ und einer erweiterten Messunsicherheit von $\pm 0,01$ gemessen (gemäß GUM mit Erweiterungsfaktor $k = 3$).
- 6) **Kennlinien:** Im gestrichelten Bereich der Kennlinien muss mit erhöhten Abweichungen zwischen Leuchtdioden innerhalb einer Verpackungseinheit gerechnet werden.
- 7) **Maßtoleranz:** Wenn in der Zeichnung nicht anders angegeben, gilt eine Toleranz von $\pm 0,1$. Maße werden in mm angegeben.

Published by OSRAM Opto Semiconductors GmbH
Leibnizstraße 4, D-93055 Regensburg
www.osram-os.com © All Rights Reserved.

EU RoHS and China RoHS compliant product



此产品符合欧盟 RoHS 指令的要求；
按照中国的相关法规和标准，不含有毒有害物质或元素。