

Han hinged frame plus, for 6 modules A-F

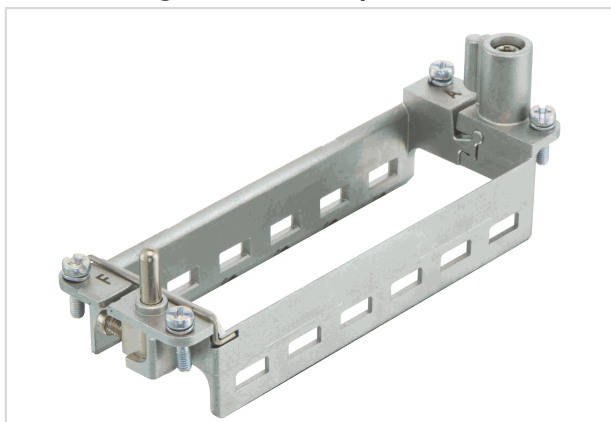


Image is for illustration purposes only. Please refer to product description.

| | |
|--------------------|---|
| Part number | 09 14 024 0361 |
| Specification | Han hinged frame plus, for 6 modules A-F |
| HARTING eCatalogue | https://b2b.harting.com/09140240361 |

Identification

| | |
|------------------------------|--|
| Category | Accessories |
| Series | Han-Modular® |
| Type of accessory | Hinged frame plus |
| Description of the accessory | for 6 modules A ... F |
| Features | Conductor cross-section PE (power side) 4 ... 10 mm ² Conductor cross-section PE (signal side) 1 ... 2.5 mm ² |

Version

| | |
|------|------|
| Size | 24 B |
|------|------|

Technical characteristics

| | |
|----------------------|-----------------|
| Limiting temperature | -40 ... +125 °C |
| Mating cycles | ≥500 |

Material properties

| | |
|-----------------------------|--|
| Material | Zinc die-cast Stainless steel |
| RoHS | compliant with exemption |
| RoHS exemptions | 6(c): Copper alloy containing up to 4 % lead by weight |
| ELV status | compliant with exemption |
| China RoHS | 50 |
| REACH Annex XVII substances | Not contained |
| REACH ANNEX XIV substances | Not contained |



Pushing Performance
Since 1945

Material properties

| | |
|--------------------------------------|--------------------------------------|
| REACH SVHC substances | Yes |
| REACH SVHC substances | Lead |
| ECHA SCIP number | 564b7d75-7bf6-4cfb-acb1-2168eb61b675 |
| California Proposition 65 substances | Yes |
| California Proposition 65 substances | Lead |

Specifications and approvals

| | |
|----------------|-------------------------|
| Specifications | EN 60664-1 IEC 61984 |
| Approvals | DNV GL |
| UL / CSA | UL 1977 ECBT2.E235076 |

Commercial data

| | |
|--------------------------------|---|
| Packaging size | 1 |
| Net weight | 78 g |
| Country of origin | Germany |
| European customs tariff number | 85389099 |
| eCl@ss | 27440206 Module carrier frame for industrial connectors |