

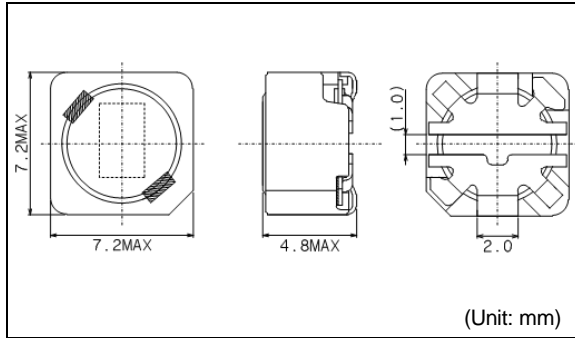
MBH7045C

AEC-Q200

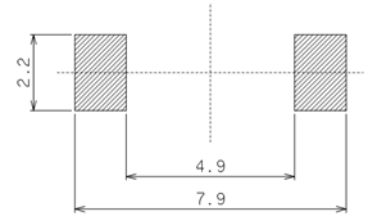
RoHS

REACH

Inductance Range: 3.3~1000μH



Recommended patterns
推荐焊盘尺寸



(Unit: mm)

FEATURES 特点

- AEC-Q200 Compliant.
- 7.2× 7.2mm Max. square, 4.8mm Max. height.
- Magnetically shielded.
- Operating temperature : -40~+150°C
- 符合AEC-Q200
- 最大7.2×7.2毫米的平面，最大高度4.8毫米
- 磁性屏蔽结构
- 使用温度范围：-40~+150°C

STANDARD PART NUMBERS 标准零件号码

TYPE MBH7045C Low DC resistance type (Quantity/reel; 1000 PCS)

零件号码	电感值 ⁽¹⁾	公差	最大直流电阻 ⁽²⁾ (典型)	最大电感值减小电流 ⁽³⁾ (典型)	最大温度上升电流 ⁽³⁾ (典型)
Part Number	Inductance ⁽¹⁾ (μH)	Tolerance (%)	DC Resistance ⁽²⁾ (mΩ) Tolerance ±20%	Inductance Decrease Current ⁽³⁾ (A) Max.(Typ.) ΔL/L=10%	Temperature Rise Current ⁽³⁾ ΔT=40°C (A) Max. (Typ.)
MBH7045C-3R3NA=P3	3.3	±30	19	2.5 (3.4)	3.5 (4.4)
MBH7045C-4R7NA=P3	4.7	±30	23	2.0 (2.7)	3.2 (4.0)
MBH7045C-6R8NA=P3	6.8	±30	28	1.7 (2.5)	2.7 (3.4)
MBH7045C-100MA=P3	10	±20	36	1.3 (2.0)	2.5 (3.0)
* MBH7045C-150MA=P3	15	±20	52	1.1 (1.6)	2.1 (2.5)
MBH7045C-220MA=P3	22	±20	61	1.0 (1.4)	1.9 (2.3)
* MBH7045C-330MA=P3	33	±20	96	0.80 (1.1)	1.4 (1.7)
MBH7045C-470MA=P3	47	±20	125	0.70 (0.94)	1.3 (1.6)
MBH7045C-680MA=P3	68	±20	175	0.59 (0.78)	1.1 (1.3)
MBH7045C-101MA=P3	100	±20	250	0.48 (0.63)	1.0 (1.2)
* MBH7045C-151MA=P3	150	±20	340	0.39 (0.52)	0.79 (0.94)
MBH7045C-221MA=P3	220	±20	520	0.34 (0.45)	0.65 (0.77)
* MBH7045C-331MA=P3	330	±20	740	0.25 (0.36)	0.54 (0.64)
* MBH7045C-471MA=P3	470	±20	1050	0.22 (0.30)	0.43 (0.51)
* MBH7045C-681MA=P3	680	±20	1480	0.20 (0.25)	0.36 (0.43)
* MBH7045C-102MA=P3	1000	±20	2280	0.14 (0.21)	0.31(0.37)

* Under development

(1) Inductance is measured with a LCR meter 4284A(Agilent Technologies) or equivalent. Test frequency at 100kHz
 (2) DC resistance is measured with 34420A (Agilent Technologies) or 3541(HIOKI). (Reference ambient temperature 25°C)
 (3) Maximum allowable DC current is that which causes a 10% inductance reduction from the initial value, coil temperature to rise by 40°C, whichever is smaller.
 (Reference ambient temperature 25°C)

(1) LCR仪表4284A (Agilent技术)或者功能相同的仪器在100kHz下测试电感值。
 (2) 通过数码万用表34420A (Agilent技术) 或者3541(HIOKI)测试直流电阻。(环境温度为25°C)
 (3) 允许最大直流电的范围是以下两者中比较小的一个：引起电感值从最初值降低10%，或者线圈温度升高40°C。
 (参考周围环境温度25°C)。

MBH7045C

continued from previous page 接上页

STANDARD PART NUMBERS 标准零件号码
TYPE MBH7045C High saturation current type (Quantity/reel; 1000 PCS)

零件号码	电感值 ⁽¹⁾	公差	最大直流电阻 ⁽²⁾ (典型)	最大电感值减小电流 ⁽³⁾ (典型)	最大温度上升电流 ⁽³⁾ (典型)
Part Number	Inductance ⁽¹⁾ (μH)	Tolerance (%)	DC Resistance ⁽²⁾ (mΩ) Tolerance ±20%	Inductance Decrease Current ⁽³⁾ (A) Max.(Typ.) ΔL/L=10%	Temperature Rise Current ⁽³⁾ ΔT=40°C (A) Max. (Typ.)
* MBH7045C-3R3NB=P3	3.3	±30	21	3.3 (4.4)	(4.3)
* MBH7045C-4R7NB=P3	4.7	±30	24	3.0 (4.0)	(3.7)
* MBH7045C-6R8NB=P3	6.8	±30	29	2.4 (3.2)	(3.5)
* MBH7045C-100MB=P3	10	±20	36	2.0 (2.7)	(3.2)
* MBH7045C-150MB=P3	15	±20	54	1.6 (2.1)	(2.5)
* MBH7045C-220MB=P3	22	±20	70	1.4 (1.8)	(2.2)
* MBH7045C-330MB=P3	33	±20	105	1.1 (1.5)	(1.8)
MBH7045C-470MB=P3	47	±20	150	0.90 (1.2)	(1.4)
* MBH7045C-680MB=P3	68	±20	210	0.75 (1.0)	(1.2)
* MBH7045C-101MB=P3	100	±20	310	0.63 (0.84)	(0.99)
* MBH7045C-151MB=P3	150	±20	460	0.51 (0.68)	(0.79)
MBH7045C-221MB=P3	220	±20	690	0.40 (0.56)	(0.65)

* Under development

- 1) Inductance is measured with a LCR meter 4284A(Agilent Technologies) or equivalent. Test frequency at 100kHz
- 2) DC resistance is measured with 34420A (Agilent Technologies) or 3541 (HIOKI). (Reference ambient temperature 25°C)
- 3) Maximum allowable DC current is that which causes a 10% inductance reduction from the initial value, coil temperature to rise by 40°C, whichever is smaller. (Reference ambient temperature 25°C)

- 1) LCR仪表4284A (Agilent技术)或者功能相同的仪器在100kHz下测试电感值。
- 2) 通过数码万用表34420A (Agilent技术) 或者3541(HIOKI)测试直流电阻。(环境温度为25°C)
- 3) 允许最大直流电的范围是以下两者中比较小的一个: 引起电感值从最初值降低10%, 或者线圈温度升高40°C。(参考周围环境温度25°C)。