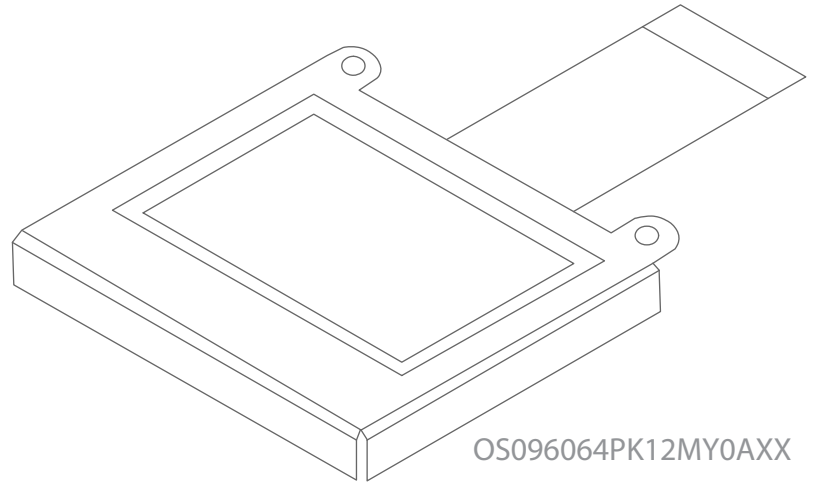


OLED DISPLAY SOLUTIONS

Pictiva™ 96x64 display

OLED



OS096064PK12MY0AXX

Features:

- Graphics display matrix
- Single Color with 4-bit per pixel grayscale
- True emissive technology
- 160° viewing angle
- Passive matrix driven by an industry standard compatible IC
- Fast response, video frame rate capable
- High contrast
- Wide operating temperature range
- Thin profile

Specifications:

Display Format	96 Columns x 64 Rows
Pixel Pitch	0.265 mm Square
Pixel Size	0.235 mm Square
Color	Yellow x=0.455, y=0.540
Grayscale	4-bit
Active Area	25.4 (W) x 16.9 mm (H)
Module Size	35.5(W) x 31.8 (H) x 3.82 mm (T)
Luminance	100 cd/m ² typical
Lifetime	10,000 Hours @ 25°C
Viewing Angle	160°
Contrast Ratio	100:1 minimum
Temp Range	-30° to +70°C
Logic Voltage	2.4 - 3.5V
Supply Voltage	12 - 13V typical
Sleep Mode Power	0.05mW
Interface	Parallel/Serial
OLED Driver/w controller	0323
Packaging	COF (chip-on-flex)
Interconnect	ZIF (zero insertion force)
Weight	4.5g nom. (excluding bezel)

OSRAM Opto Semiconductors Inc.
3870 North First Street, San Jose, CA 95134, USA
Phone: +1.888.446.7726 ext.4310
Web: www.pictiva.com

Ordering Information:

Osram Part Numbers:

Yellow, Parallel Interface: OS096064PK12MY0A00

Yellow, Serial Interface: OS096064PK12MY0A01

Pin Description :

Pin #	Pin Name	Symbol
1	Chip Select	CS1B
2	Reset	RSTB
3	Parallel interface protocol	C86
4	Data/Command	RS(A0)
5	Intel: /WR Motorola: /RW	RW -WRB
6	Intel: /RD Motorola: E	E-RDB
7	Parallel Data 0	D0
8	Parallel Data 1	D1
9	Parallel Data 2	D2

Pin #	Pin Name	Symbol
10	Parallel Data 3	D3
11	Parallel Data 4	D4
12	Parallel Data 5	D5
13	Parallel Data 6	D6
14	Parallel Data 7	D7
15	No Connect	NC
16	Logic Power supply	VDD
17	OLED Power supply	VLL
18	Ground	VSS

Instruction Set Summary (typical):

Set column address	Set display offset	Set precharge voltage
Set row address	Set display mode	Set phase length
Set contrast (Brightness)	Set multiplex ratio	Set row period
Set current range	Set DC-DC converter	Set clock divide ratio
Set re-map	Set display on/off	Set grayscale table
Set display start line	Set Vcomh voltage	Status register read

Mechanical Dimensions :

