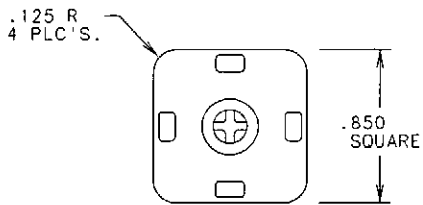
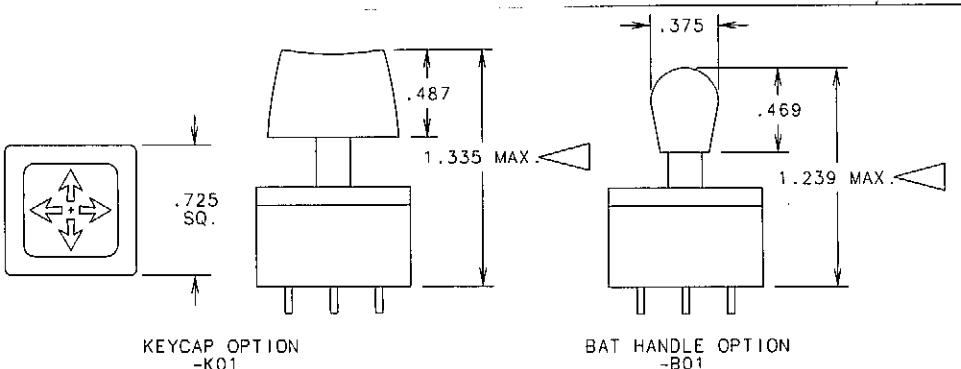
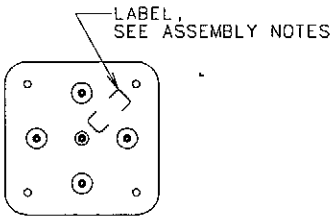
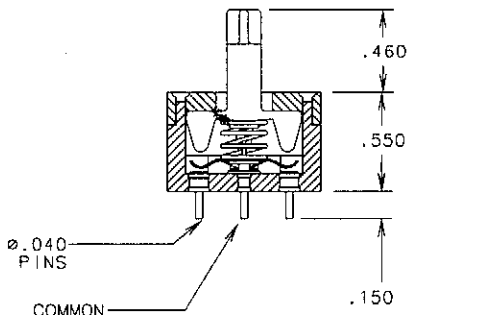
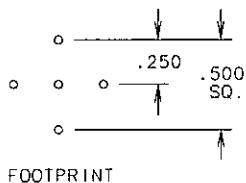


NOTES:

1. RATED TO MAKE AND BREAK 250 mA, 115 VAC. RES. FOR 500,000 OPERATIONS.
2. CONTACT RESISTANCE: 25 mΩ MAX.
3. INSULATION RESISTANCE: 1000 MEGAOHMS AT 100 VDC.
4. DIELECTRIC STRENGTH: 500 VAC RMS MINIMUM.
5. MATERIALS AND FINISHES:
 - BASE, COVER & ACTUATOR ARE RYTON 10 (BLACK).
 - OPTIONAL KEYCAP IS CYCOLAC GRADE "T" ABS OR EQUIVALENT (GRAY BLACK)
 - OPTIONAL BAT HANDLE IS CYCOLAC GRADE "T" ABS OR EQUIVALENT (BLACK).
 - CONTACTS ARE BRASS. SHORTING BAR IS PHOSPHORUS BRONZE (GOLD PLATED OVER NICKEL.)
 - RETURN SPRINGS ARE TINNED MUSIC WIRE.



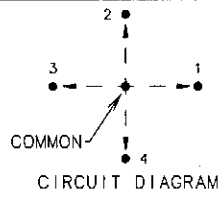
ALL REVISIONS TO THIS DRAWING MUST BE MADE ON THE CAD SYSTEM



SALES PART NUMBER	BUTTON TYPE
04A	NONE
04A-K01	KEYCAP W/ ARROWS
04A-K02	KEYCAP W/O ARROWS
04A-B01	BAT HANDLE

REFERENCE NOTES:

1. GRAYHILL STANDARD 04A.
2. OPTIONAL KEYCAP OR BAT HANDLE WILL BE INSTALLED BY GRAYHILL.



CIRCUIT DIAGRAM
 WHEN ACTUATOR IS IN REST POSITION, NO CONTACTS ARE MADE. MOVEMENT OF ACTUATOR TOWARD ANY SWITCH POSITION PROVIDES MOMENTARY CONTACT TO THAT POSITION.

UNLESS OTHERWISE SPECIFIED TOLERANCES AND DIMENSIONS ARE IN INCHES
 LINEAR ± .010 DIAMETERS ± .005
 ANGULAR ± 1°
 LIMITS APPLY BEFORE FINISHING DO NOT SCALE THIS PRINT

CRITICAL CHARACTERISTIC FLAGS PER GRAYHILL SPEC.SOP2338

- ▲ -- CRITICAL CHARACTERISTIC FLAG
- -- Cpk REQUIRED
- Ⓜ -- S.P.C. FLAG (CONTROL CHART REQ'D ON FEATURE SPECIFIED)

APPROVED DATE
 DDK 8-8-86

CHECKED DATE
 RAB 8-8-86

DRAWN DATE
 RAB 6-26-86

FINISH
 NOTED

MATERIAL
 NOTED

Grayhill GRAYHILL, INC.
 561 HILLGROVE AVE. PHONE (708)
 LA GRANGE, IL 60525 354-1040

4 WAY SWITCH

CAGE NO.	B	DWG. NO.	ISSUE
81073	SIZE	04	
SCALE 1.5:1	UNIT WEIGHT		