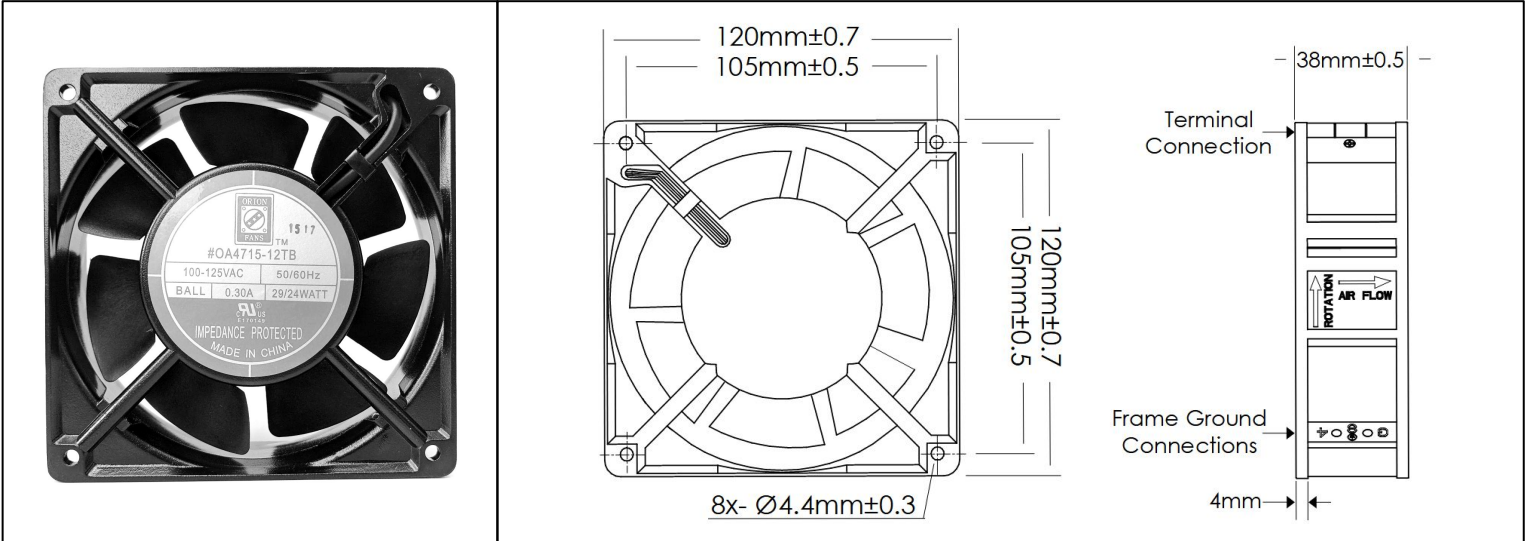


OA4715 'Challenger Series'



AC Fan, 115V / 230V
120x120x38mm (4.72"x1.50")



Frame	Die Cast Aluminum, Black	Operating Temperature -40°C ~ +70°C Storage Temperature -40°C ~ +80°C Life Expectancy 50,000 hours (L10 at 25°C) Weight: 1.11 lbs
Impeller	PBT, UL94 V-0 plastic	
Connection	Terminals	
Motor	AC Shaded Pole, Impedance Protected	
Bearing System	Dual Ball Bearings	
Dielectric Strength	1500VAC/min, ≤ 1mA	
Insulation Resistance	100MΩ minimum at 500 VDC between leadwires and frame	<p>*60 Hz values shown</p>

Part Number	Rated Voltage	Rated Input (Watts)	Rated Current (Amps)	Rated Speed (RPM)	Airflow (CFM)	Noise Level (dBA)	Max. Static Pressure (\"H2O)
OA4715-12TB	115 VAC	29W @ 50 Hz 24W @ 60 Hz	0.30A @ 50/60Hz	2575 @ 50Hz 2980 @ 60 Hz	96.7 @ 50 Hz 110 @ 60 Hz	40.4 @ 50Hz 44.2 @ 60 Hz	0.29\" @ 50 Hz 0.37\" @ 60 Hz
OA4715-23TB	230 VAC	28W @ 50 Hz 24W @ 60 Hz	0.20A @ 50/60Hz	2575 @ 50Hz 2980 @ 60 Hz	96.7 @ 50 Hz 110 @ 60 Hz	40.4 @ 50Hz 44.2 @ 60 Hz	0.29\" @ 50 Hz 0.37\" @ 60 Hz