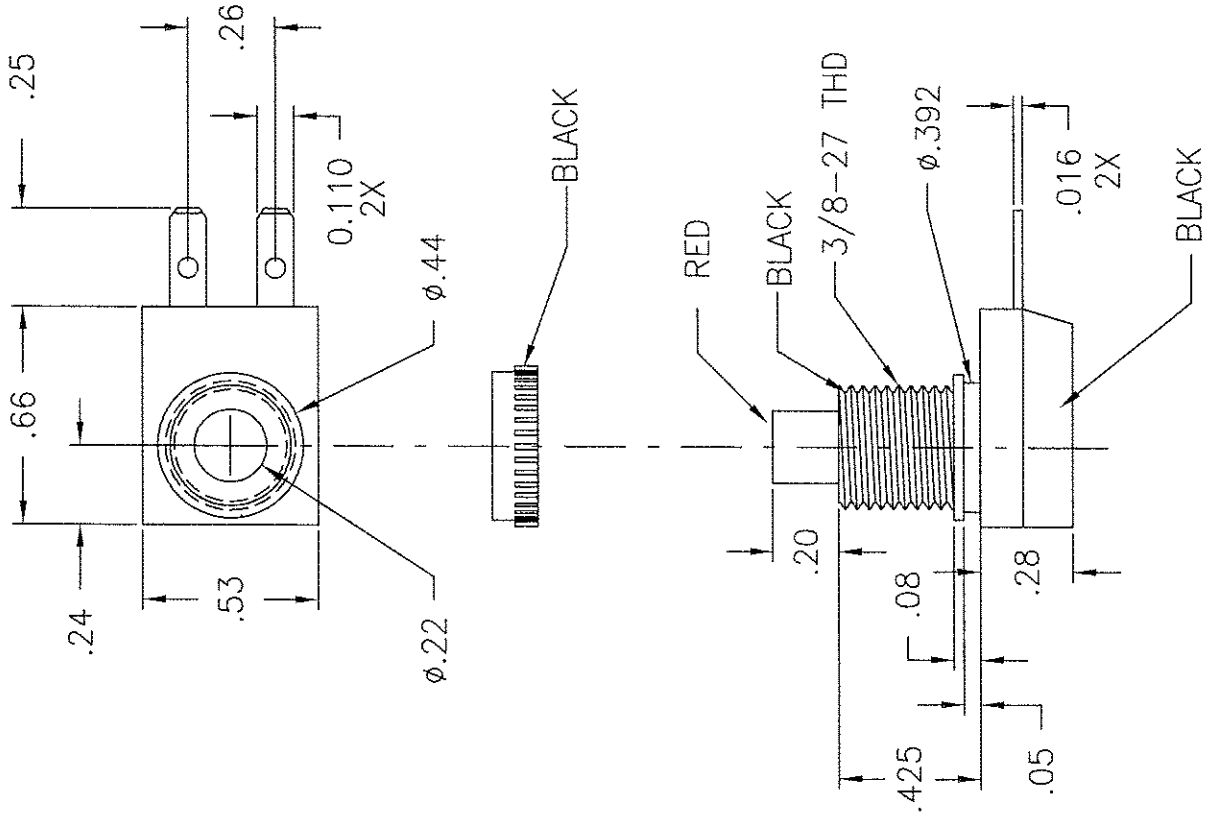


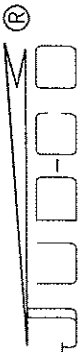
LTR	EN	DESCRIPTION	APPR	BY	DATE
A	-	INITIAL RELEASE	RB	NH	04-02-03
B	-	CHANGE CUSTOMER NAME & UPDATE DRAWING.	MT	DC	01-28-08



JUDCO INVENTORY NO. 40-1672-02
 SWITCH TYPE: PUSH ON-PUSH OFF, SPST
 NUT INCLUDED

ELECTRICAL RATING 14VDC, 2A
 CUSTOMER:
 CUSTOMER P/N:
 APPROVED BY: _____
 DATE: _____

DIMENSIONS IN INCHES DIMENSIONS ARE REFERENCE	DRAWN:	NH	04-02-03
	APPR:	KJ	01-28-08
	ENG'G:	IS	01-28-08
1415U378B.DWG			
SHEET			
1 OF 1			

	
HARBOR CITY CALIFORNIA	
TITLE	OUTLINE
	J-188A-1
DWG. NO.	1415-378

This document embodies a product, component, and/or design proprietary to JUDCO MANUFACTURING INC., and which is protected either as a trade secret, by U.S. Patent, or by copyright. It may not be used in any way without written express consent of JUDCO MANUFACTURING INC.