

8

7

6

5

4

3

DWG. NO.	????	SH	1	REV	-	1
REVISIONS						
ZONE	REV	DESCRIPTION	DATE	APVD		

NOTES: UNLESS OTHERWISE SPECIFIED

D

D

C

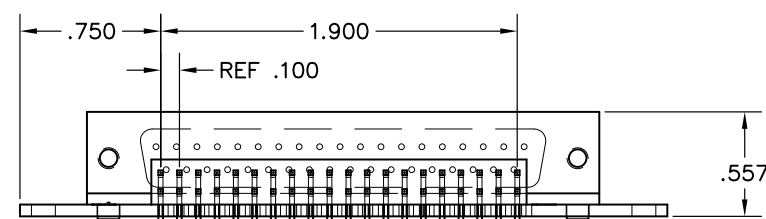
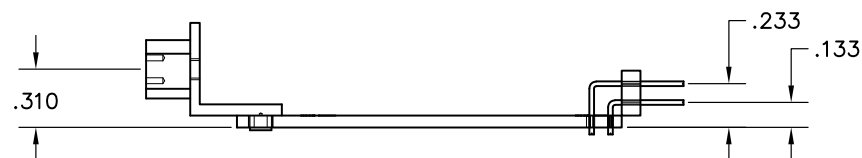
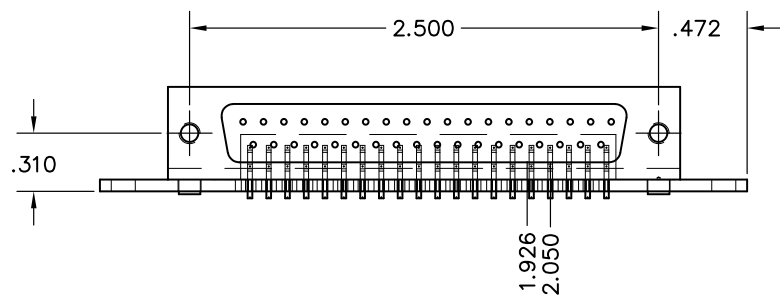
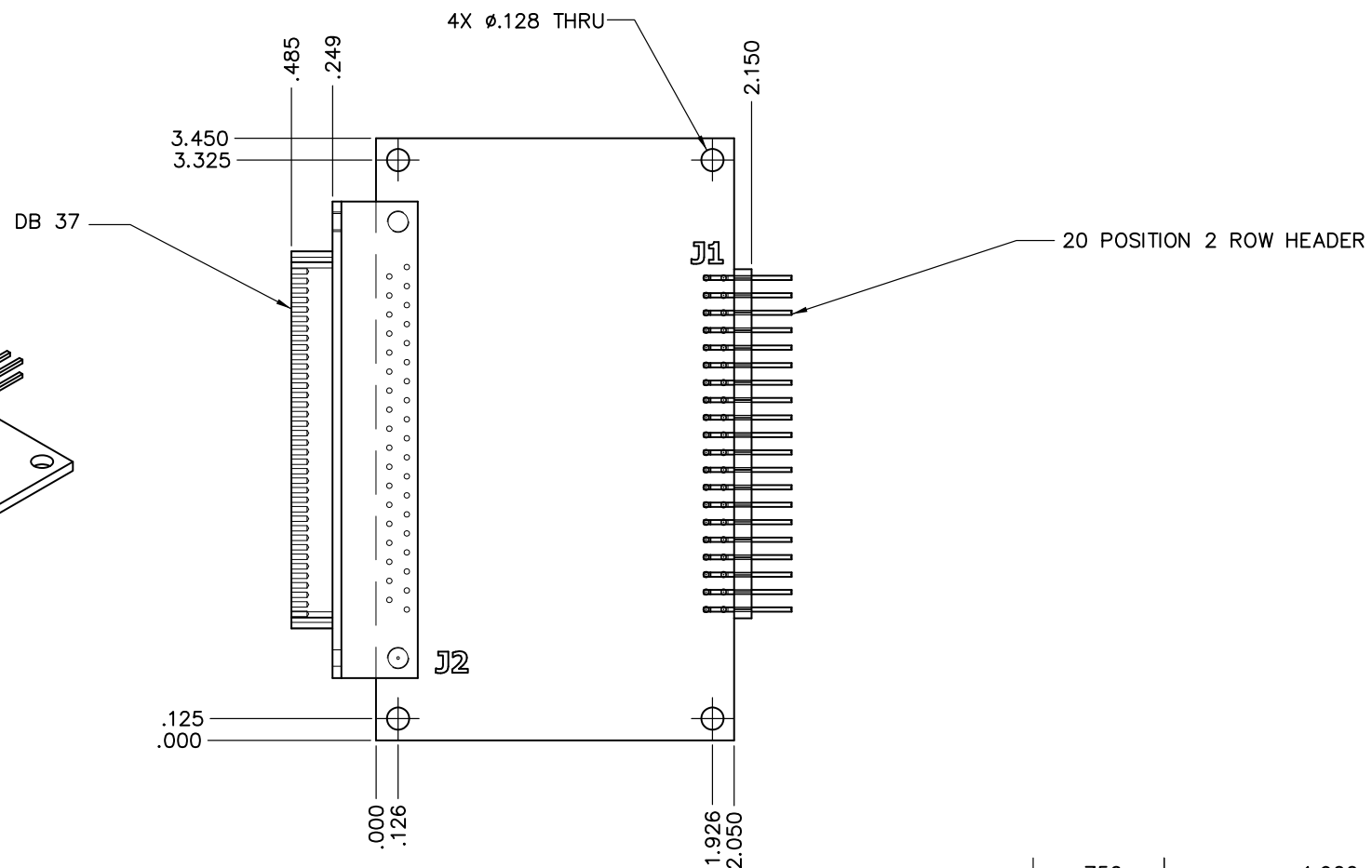
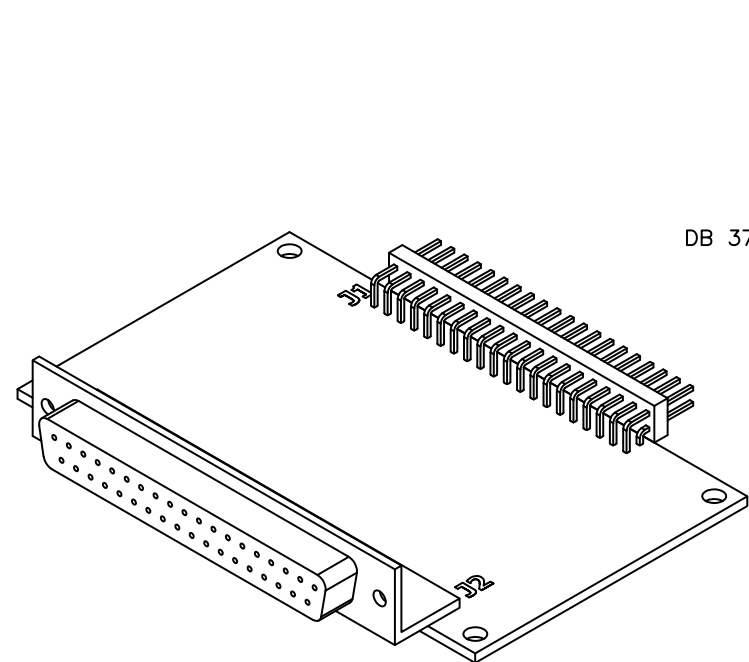
C

B

B

A

A



		<small>DO NOT SCALE DRAWING UNLESS OTHERWISE SPECIFIED DIMENSIONS ARE IN INCHES TOLERANCES: .x \pm .1 .xx \pm .02 .xxx \pm .005 HOLE DIA UP TO .500 \pm .005 HOLE DIA ABOVE .500 \pm .010 ANGLES \pm 0' 30" MACHINED SURFACES</small>		PROPRIETARY INFORMATION NOT TO BE COPIED, USED, OR DISCLOSED WITHOUT WRITTEN PERMISSION FROM NETBURNER		5405 MOREHOUSE DR., STE 200 SAN DIEGO, CA. 92121 (858) 558-0293	
		<small>PROJECT MANAGER PROJECT ENGINEER APPROVED</small>		<small>TITLE</small> BARE BLADE		<small>SIZE</small> D <small>FSCM</small> <small>DRAWING NUMBER</small> <small>REV LTR</small> ??? -	
<small>NEXT ASSEMBLY</small> <small>USED ON</small>		<small>APPROVED SAFETY</small> <small>APPROVED Q.A.</small> <small>CHECKED BY</small> <small>DRAWN BY</small> <i>E. G. G. 04/20/07</i>		<small>SCALE</small> 2/1 <small>RELEASE DATE</small> <small>SHEET</small> 1 <small>OF</small> 1		<small>APPLICATION</small>	

8

7

6

5

4

3

2

1