



PART NAME

EXTRUDED ALUMINUM IP65 PCB ENCLOSURES

PART No.

EXN-23351 (SEE TABULATION FOR COLOR COMBINATIONS)

REVISION DATE

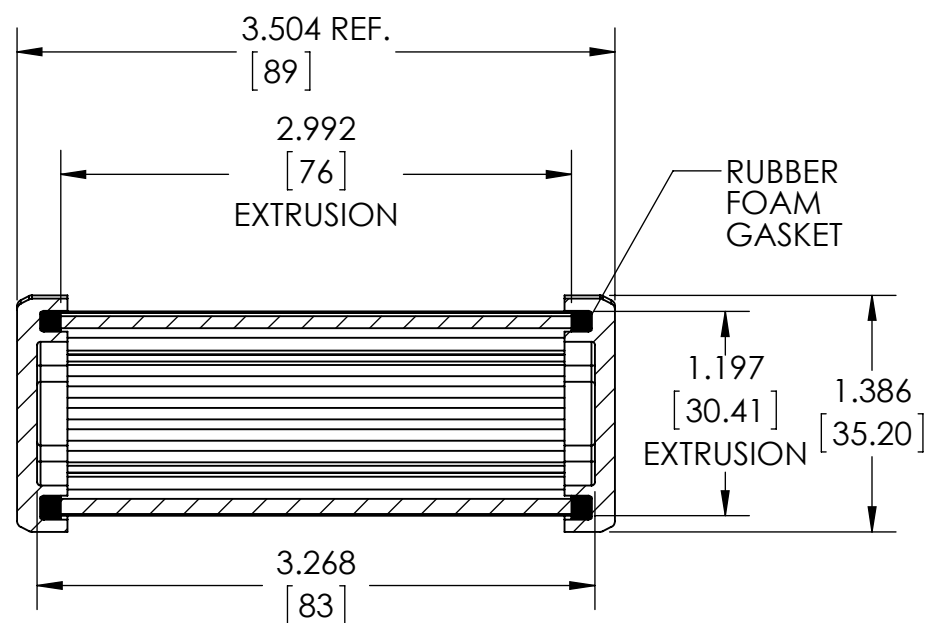
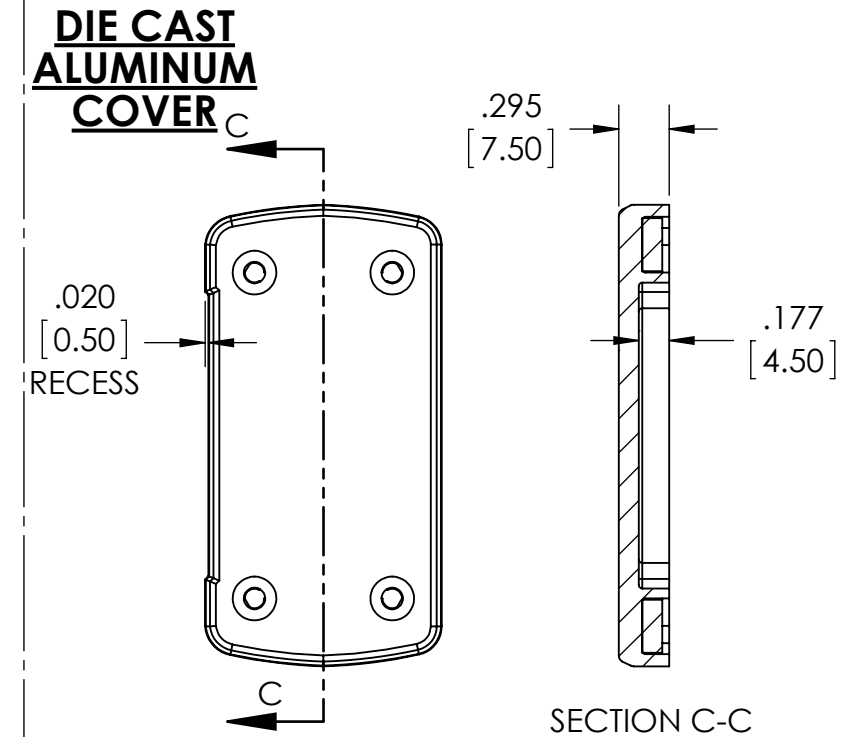
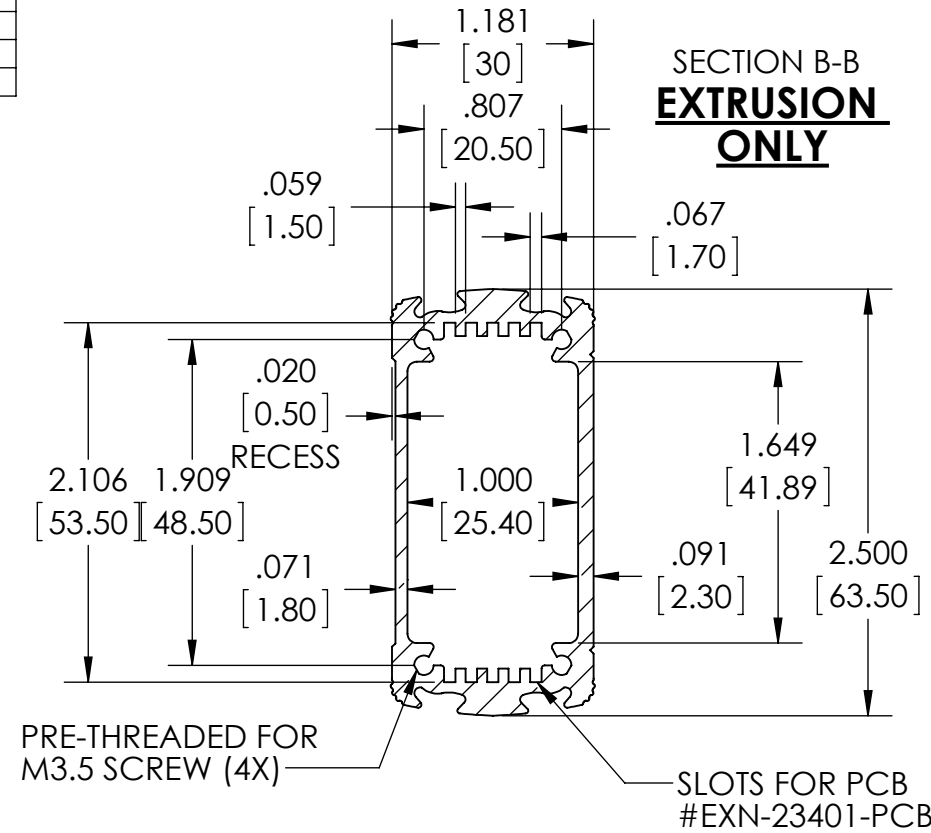
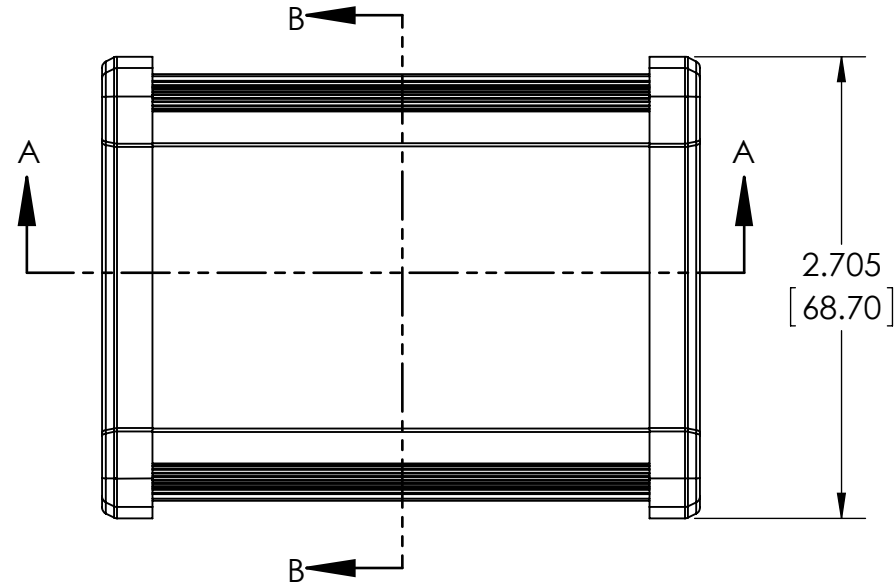
10-23-15

PART NUMBER	ALUM. COVER	PLASTIC COVER	BODY COLOR
EXN-23351-BK	BLACK	-	BLACK
EXN-23351-BKP	-	BLACK	BLACK
EXN-23351-BL	BLACK	-	BLUE
EXN-23351-BLP	-	TRANSLUCENT BLUE	BLUE
EXN-23351-GD	BLACK	-	GOLD
EXN-23351-GDP	-	CLEAR	GOLD
EXN-23351-RD	BLACK	-	RED
EXN-23351-RDP	-	IR RED	RED
EXN-23351-SV	BLACK	-	SILVER
EXN-23351-SVP	-	CLEAR	SILVER

MATERIAL: ALUMINUM EXTRUSION BODY PROVIDED WITH ALUMINUM COVER (2X) AND GASKETS OR POLYCARBONATE COVER (2X) AND GASKETS - NOT ASSEMBLED

DIMENSIONS ARE INCH[MM]

DRAWING FOR REFERENCE
WE RESERVE THE RIGHT TO MAKE CHANGES TO OUR STANDARD PRODUCTS. PLEASE CONSULT WITH BUD INDUSTRIES PRIOR TO USING THIS DRAWING FOR DESIGN PURPOSE.



SECTION A-A
DIMENSIONS MAY VARY DEPENDING ON THE COMPRESSION OF THE GASKETS

