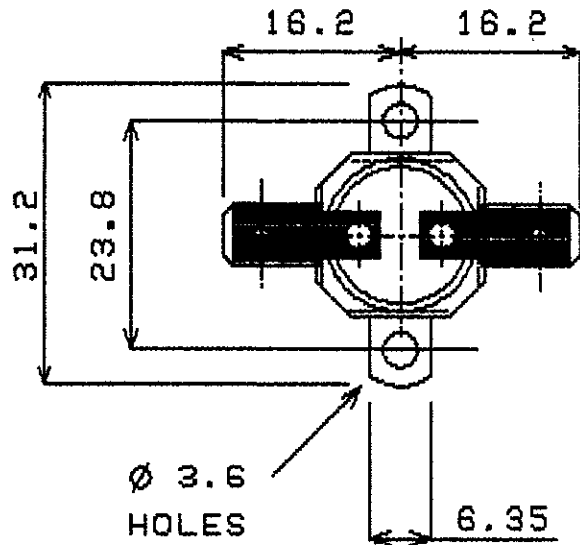


DO NOT SCALE ALL DIMENSIONS ARE FOR REFERENCE ONLY

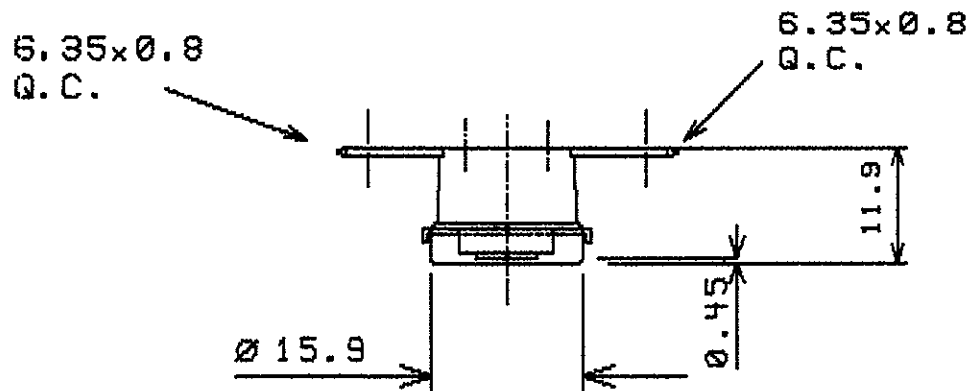
OPERATING CRITERIA



VOLTS: 240      AMPS: 10      HZ:

OPERATING TEMPS. DEG. C

OPEN: 85 ± 4  
CLOSE: 100 ± 5



NOTE: ORIENTATION OF BRACKET IS NOT FIXED

ISSUE	A	B							
MOD No	2052	2259							
MTH/YR	3/97	7/98							

CODING REQUIREMENTS

COLOUR: LASER CODE  
F100C RP 9100 446 XXX

<XXX = DATE CODING>

CAP: 8200      MAT'L: ALUMINIUM  
BRK'T: 82036      MAT'L: STEEL  
..... PLATING: NICKEL  
TERMINAL: T146      : T146  
MATERIAL: BRASS      : BRASS  
PLATING:

ELMWOOD DEVICE & UNIQUE PART No.  
2455RP-9100-446

ELMWOOD DRG No.  
965214

ISSUE  
B



ELMWOOD  
SENSORS LTD

DATE OF ISSUE STAMP  
7 JUN 1997