

MICRO SWITCH

FREERPORT ILLINOIS, U.S.A
A DIVISION OF HONEYWELL
FED. MFG. CODE 91929

SWITCH - BASIC

CATALOG LISTING
YZ-R296-A2

YZ-R296-A2

M

DRAWING NUMBER

4

ISSUE

REPLACES X77807-YZ

RELEASE NO. PR-12892

CHECK

REVISIONS

A	CO-73287-J	JAH	22 NOV 93
B	CO-77588	KDR	29 MAR 94
C	0000713	JAH	30 JUN 03

CHECK

11 APRIL 84

CHECK

11 APRIL 84

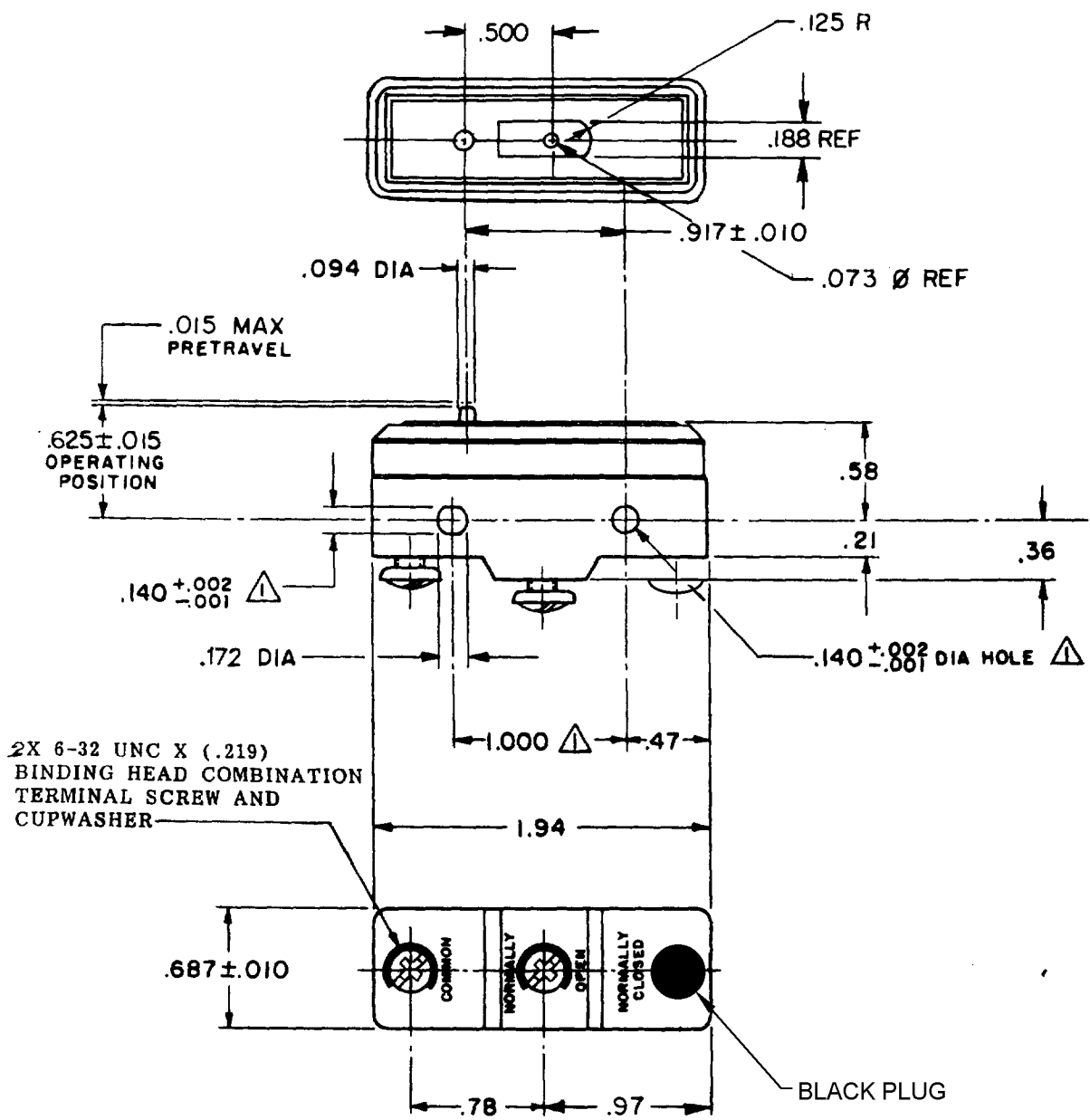
CHECK

11 APRIL 84

CHECK

RASTER

DRAWN



2X 6-32 UNC X (.219)
BINDING HEAD COMBINATION
TERMINAL SCREW AND
CUPWASHER

NOTE
MOUNTING HOLES WILL ACCEPT PINS OR SCREWS OF .139 MAX DIA ON 1.000 ± .002 CENTERS

THIS DRAWING COVERS A PROPRIETARY ITEM AND IS THE PROPERTY OF MICRO SWITCH, A DIVISION OF HONEYWELL. THIS DRAWING IS NOT TO BE COPIED OR USED WITHOUT THE APPROVAL OF MICRO SWITCH.

THIRD ANGLE PROJECTION

CHARACTERISTICS

OPERATING FORCE ----- 7-9 OZ
RELEASE FORCE ----- 4 OZ MIN
DIFFERENTIAL TRAVEL ----- .0005 MAX
OVERTRAVEL ----- .005 MIN

ELECTRICAL DATA

CONTACT ARRANGEMENT
S P N O
CODE L103 15A-125, 250 OR 480 VAC
1/8HP-125 VAC; 1/4HP-250 VAC

SCALE FULL

DO NOT SCALE PRINT

TOLERANCES
APPLY TO DESIGN UNITS. CONVERSIONS ARE ONLY FOR REFERENCE. UNLESS NOTED, TOLERANCES ARE ±

	DES.	TOL.	DES.	TOL.
	mm	mm/in	in	mm/in
NO PLACES	X	1/.04		
ONE PLACE	X,X	0.4/.016	X,X	3.8/.03
TWO PLACES	X,X,X	0.15/.006	X,X,X	0.38/.018
THREE PLACES	X,X,X,X		X,X,X,X	0.13/.006

DESIGN UNITS SI METRIC US CUSTOMARY

WEIGHT