

MICRO SWITCH

A DIVISION OF MINNEAPOLIS HONEYWELL REGULATOR COMPANY
FREEPORT, ILLINOIS
FED. MFR. CODE 91929

SWITCH - ENCLOSED

CATALOG LISTING
51ML2

THIS DRAWING COVERS A PROPRIETARY ITEM AND IS THE PROPERTY OF MICRO SWITCH, A DIVISION OF HONEYWELL. THIS DRAWING IS NOT TO BE COPIED OR USED WITHOUT THE APPROVAL OF MICRO SWITCH.



51ML2

M

DRAWING NUMBER

10

ISSUE

10

REVISIONS

A

CO11247

O. M. W.

11 MAR 58

B

CO12789

M. B. F.

14 MAY 58

C

CO22643

D. W. C.

21 MAR 67

D

CO26064

M. B. S.

25 JUNE 69

E

CO52194

G. J. W.

22 SEP 83

F

CO55051-B

J. A. P.

14 DEC 84

G

CO74287

G. J. W.

15 APR 93

REPLACES

ISSUE 3

RELEASE NO.

CHECK

31 MAR 58

CHECK

31 MAR 58

CHECK

31 MAR 58

CHECK

31 MAR 58

CHECK

31 MAR 58

CHECK

31 MAR 58

CHECK

31 MAR 58

CHECK

31 MAR 58

CHECK

31 MAR 58

CHECK

31 MAR 58

CHECK

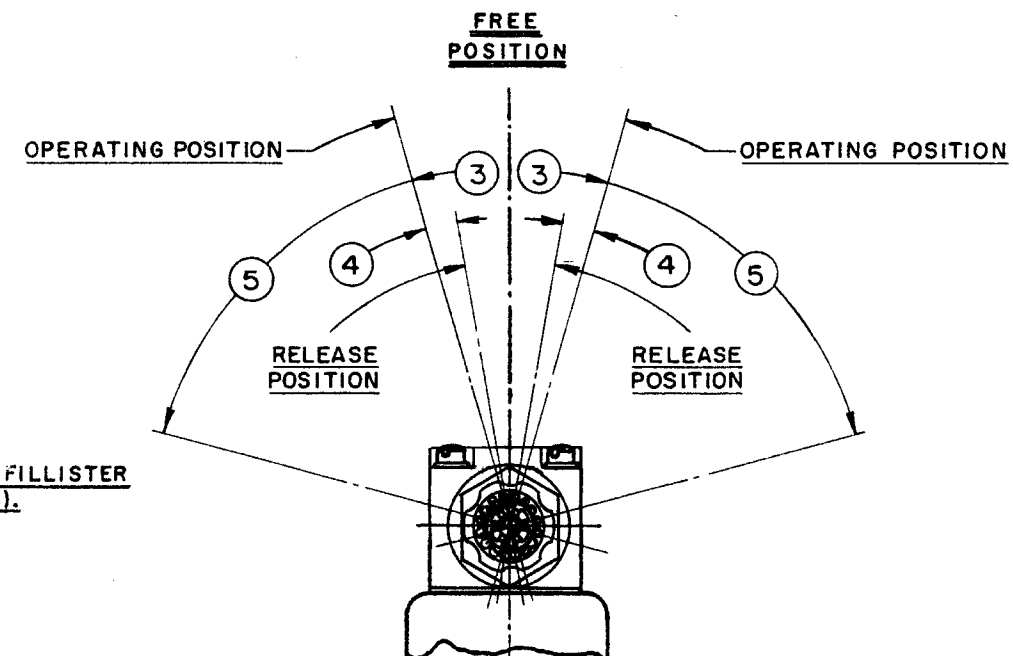
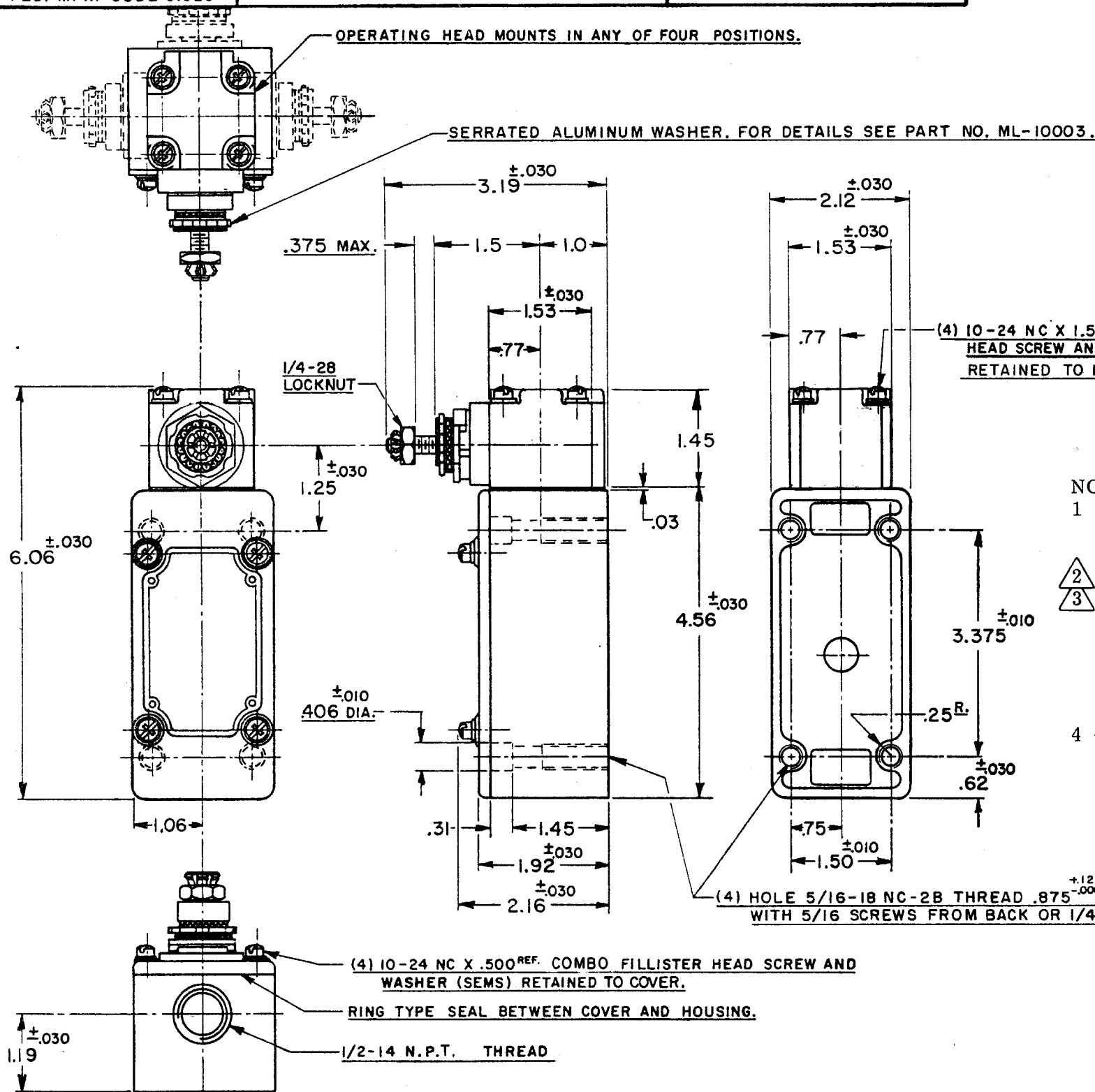
31 MAR 58

CHECK

31 MAR 58

CHECK

31 MAR 58



NOTES

1 - IT IS ESSENTIAL TO PREVENT ENTRANCE OF HARMFUL AGENTS THRU THE CONDUIT OPENING TO OBTAIN THE FULL BENEFIT OF THE SEALED CONSTRUCTION PROVIDED IN THIS UNIT

2
3

SWITCH IS ASSEMBLED FOR ACTUATION IN EITHER DIRECTION TO CONVERT SWITCH FOR ACTUATION IN EITHER CLOCKWISE OR COUNTER-CLOCKWISE DIRECTION ONLY, REMOVE THE HEAD AND SLIDE THE CAM TOWARD THE REAR OF THE HEAD SUFFICIENTLY TO DISENGAGE FROM THE FLATS ON THE SHAFT. ROTATE THE CAM 90° IN THE OPPOSITE DIRECTION OF THE ACTUATION DESIRED AND RE-ENGAGE THE CAM WITH THE FLATS ON THE SHAFT

4 - SHAFT MAY BE ADJUSTED TO ACTUATE THE SWITCH IN THE CLOCKWISE DIRECTION ONLY, THE COUNTER CLOCKWISE DIRECTION ONLY, OR IN BOTH DIRECTIONS 2 3

CHARACTERISTICS	ELECTRICAL DATA	SCALE 1/2 TO 1
OPERATING TORQUE-5 11/32 LB.-IN. MAX.	CONTACT ARRANGEMENT	DO NOT SCALE PRINT
FULL OVERTRAVEL TORQUE-7 1/8 LB.-IN. MAX.	S. P. D. T.	UNLESS OTHERWISE SPECIFIED
RELEASE TORQUE-----7/16 LB.-IN. MIN.	(B) 20A-120,240,480 OR 600 VAC; 3/4 HP-120 VAC, 1 1/2 H.P.-240 VAC; 1/2 A-115 VDC; 1/4 A-230 VDC PILOT DUTY RATING: 600 VAC MAX.	DIMENSIONS ARE IN INCHES
PRETRAVEL-----③--12° MAX.		TOLERANCES ARE:
DIFFERENTIAL TRAVEL---④--4° MAX.		ONE PLACE (.0) ±.030
OVERTRAVEL-----⑤--60° MIN.		TWO PLACE (.00) ±.015
SWITCH-BASIC REPLACEMENT-----IMK1		THREE PLACE (.000) ±.005
		ANGLES ±
		WEIGHT