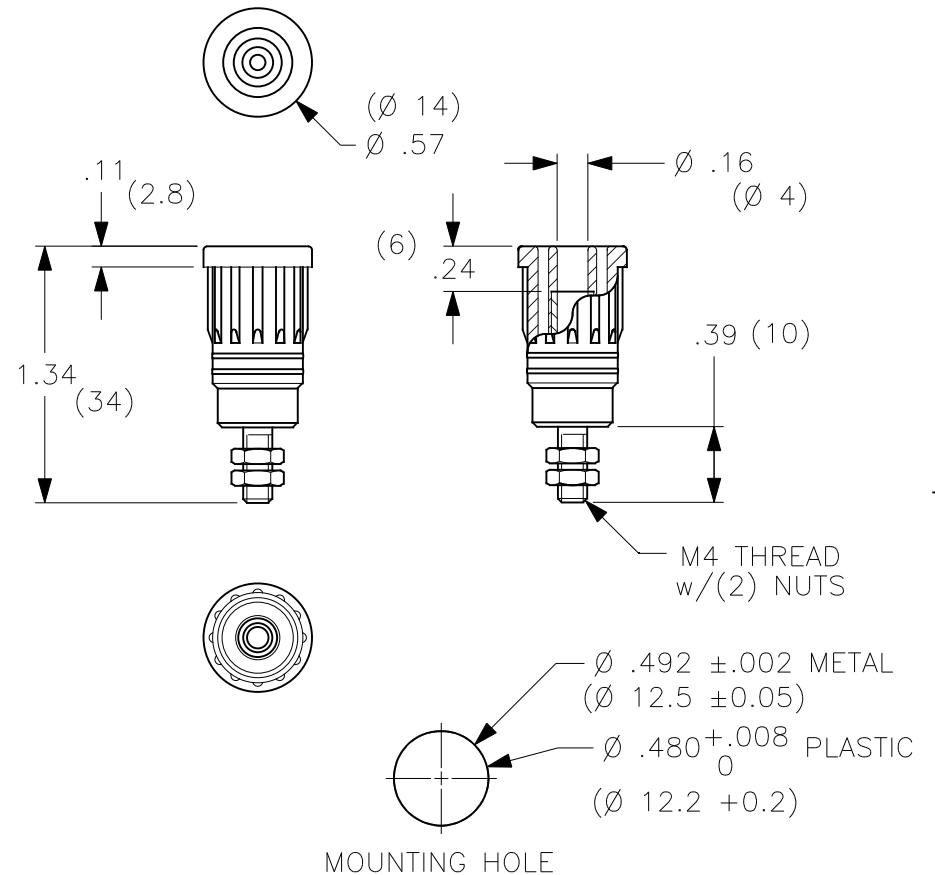


THIS IS ISSUED IN STRICT CONFIDENCE THAT IT IS NOT USED AS A BASIS FOR MANUFACTURE OR SALE AND THAT IT IS NOT COPIED, REPRINTED OR DISCLOSED TO A THIRD PARTY EITHER WHOLLY OR IN PART WITHOUT THE PRIOR WRITTEN CONSENT OF CAL TEST ELECTRONICS, INC.

1. PUSH-IN, 4mm SAFETY BANANA JACK w/M4 THREADED STUD, 2 NUTS.
2. SPECIFICATIONS:
INSULATOR: POLYAMIDE (NYLON).
CONTACT: BRASS, NICKEL PLATED.
3. RATING:
VOLTAGE: 1,000 V CAT III/600 V CAT IV P2 (IEC61010-031)
CURRENT: 36 A MAX.
RESISTANCE: <5 mΩ.
TEMPERATURE: -20° C TO +80° C.
4. MOUNTING HOLE: REF. DIAGRAM.
5. SUGGESTED PANEL THICKNESS FOR PRESS-FIT SUPPORT:
PLASTIC: >0.08" (2).
METAL: >0.06" (1.5).

REVISIONS			
REV.	DESCRIPTIONS	DATE	APPROVED
—	CLASS A RELEASED	7/12/99	
A	BODY CONFIGURATION CHANGE; DIM. 1.10 WAS 1.07; ADDED NOTE 5.	3/1/05	

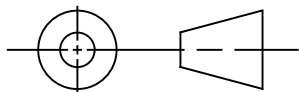


PART NUMBER

CT2243-#

- COLOR:
- 0 - BLACK
 - 1 - BROWN
 - 2 - RED
 - 3 - ORANGE (SPECIAL)
 - 4 - YELLOW
 - 5 - GREEN
 - 6 - BLUE
 - 7 - PURPLE
 - 8 - GRAY
 - 9 - WHITE

THIRD ANGLE PROJECTION



UNLESS OTHERWISE SPECIFIED
DIMENSIONS ARE IN INCHES
TOLERANCES ARE:
FRACTIONS DECIMALS
± 1/32 .XX ± .02
.XXX ±.005
DO NOT SCALE DRAWING

CONTRACT NO.

APPROVALS

DRAWN
WDH

CHECKED

ENGR.

DESIGN ACTIVITY

DATE

7/12/99

Cal Test Electronics

22820 Savi Ranch Parkway
Yorba Linda, CA 92887-4610

TITLE

**4mm PUSH-IN SAFETY JACK,
w/M4 STUD**

SIZE
A

CAGE CODE
43F45

DWG. NO.

P224300

REV.
A

SCALE 1:1

SHEET 1 OF 1

NEXT ASSY

USED ON

APPLICATION