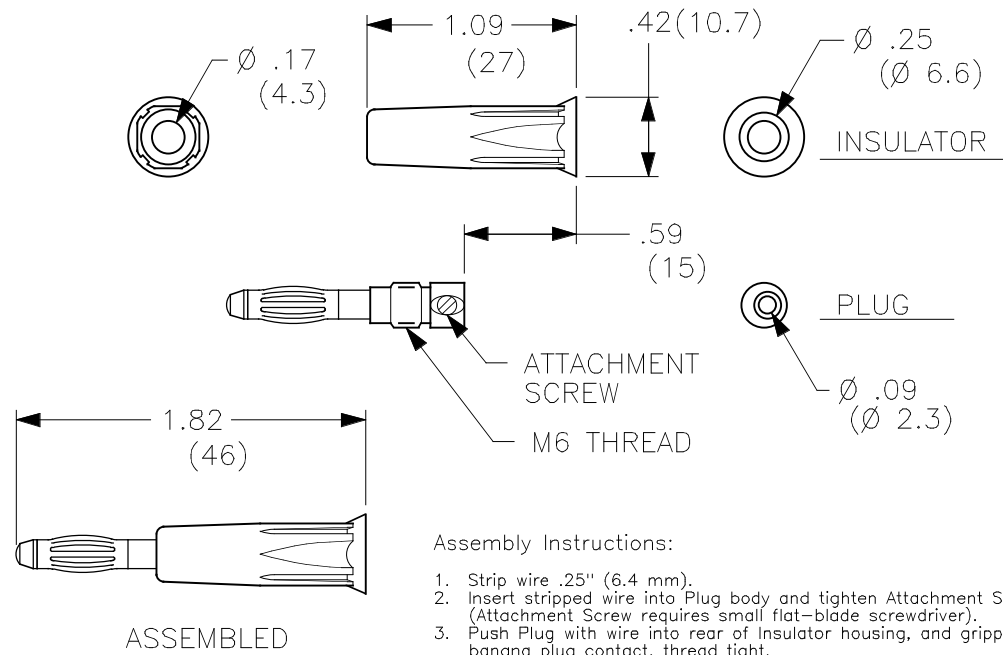


THIS IS ISSUED IN STRICT CONFIDENCE THAT IT IS NOT USED AS A BASIS FOR MANUFACTURE OR SALE AND THAT IT IS NOT COPIED, REPRINTED OR DISCLOSED TO A THIRD PARTY EITHER WHOLLY OR IN PART WITHOUT THE PRIOR WRITTEN CONSENT OF CAL TEST ELECTRONICS, INC.

REVISIONS			
REV.	DESCRIPTIONS	DATE	APPROVED
—	CLASS A RELEASED	7/11/99	

- DO-IT-YOURSELF (DIY) 4 mm IN-LINE PLUG, SCREW ATTACHMENT.
- SPECIFICATIONS:
 INSULATOR BODY: POLYAMIDE (NYLON)
 PLUG BODY: BRASS, NICKEL PLATED
 SPRING CONTACT: BeCu, NICKEL PLATED
- RATING:
 VOLTAGE: 1,200 V AC/DC
 CURRENT: 36 A MAX.
 TEMPERATURE: -20° C TO +80°C.
- MAXIMUM WIRE SIZES:
 CONDUCTOR: \varnothing .090 (12 AWG)
 STRIP LENGTH: .25 (6.4)



Assembly Instructions:

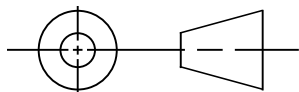
- Strip wire .25" (6.4 mm).
- Insert stripped wire into Plug body and tighten Attachment Screw. (Attachment Screw requires small flat-blade screwdriver).
- Push Plug with wire into rear of Insulator housing, and gripping banana plug contact, thread tight.

PART NUMBER

CT2011-#

- COLOR:
- 0 - BLACK
 - 2 - RED
 - 4 - YELLOW
 - 5 - GREEN
 - 6 - BLUE
 - 9 - WHITE

THIRD ANGLE PROJECTION



UNLESS OTHERWISE SPECIFIED
 DIMENSIONS ARE IN INCHES
 TOLERANCES ARE:
 FRACTIONS DECIMALS
 $\pm 1/32$.XX $\pm .02$
 .XXX $\pm .005$
 DO NOT SCALE DRAWING

CONTRACT NO.

Cal Test Electronics

22820 Savi Ranch Parkway
 Yorba Linda, CA 92887-4610

APPROVALS

DATE

DRAWN WDH

7/11/99

TITLE

DIY 4 mm PLUG, SCREW

MATERIAL

CHECKED

FINISH

ENGR.

SIZE

CAGE CODE

DWG. NO.

REV.

A

43F45

P201100

—

NEXT ASSY

USED ON

SCALE

1:1

SHEET

1 OF 1

APPLICATION