

# Customer Information Sheet

DRAWING No.: M80-521XXXX

SHEET 2 OF 2

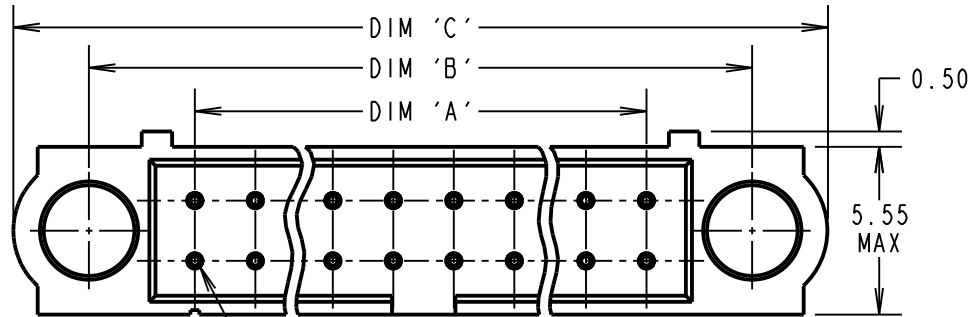
IF IN DOUBT - ASK

©

NOT TO SCALE

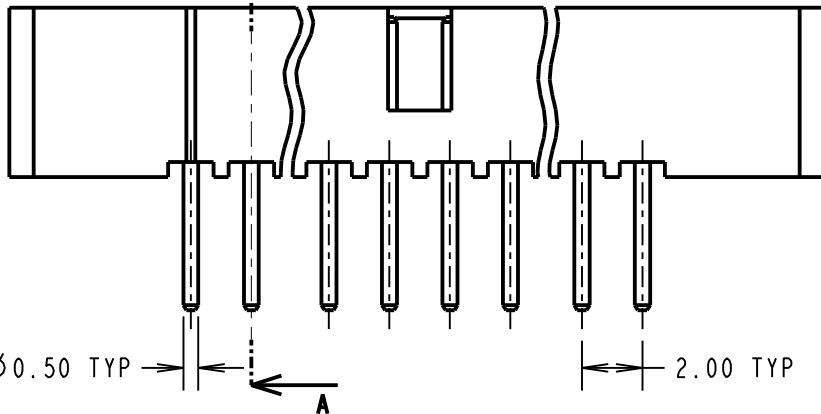
THIRD ANGLE PROJECTION

ALL DIMENSIONS IN mm

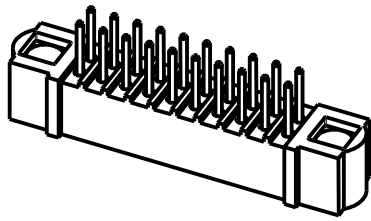
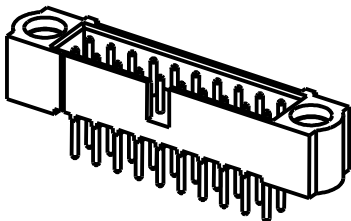


CONTACT No. 1

A



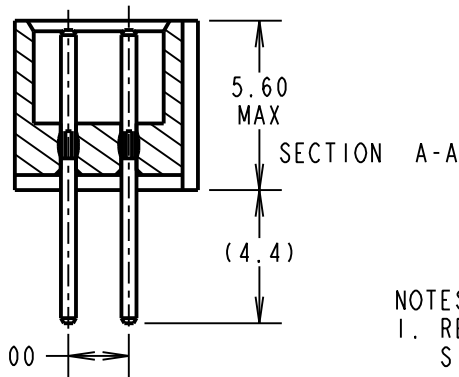
A



ORDER CODE:  
**M80-521XXXX**

TOTAL No. OF CONTACTS  
04 TO 50  
(EVEN NUMBERS ONLY)

FINISH  
05 - GOLD  
22 - SELECTIVE GOLD + TIN/LEAD  
42 - SELECTIVE GOLD + 100% TIN



NOTES:  
1. RECOMMENDED PCB HOLE  
SIZE =  $\varnothing 0.70\text{mm} \pm 0.05$ .

SPECIFICATIONS:  
MATERIAL:  
MOULDING = GLASS-FILLED PPS,  
UL94V-0, BLACK  
CONTACT = PHOSPHOR BRONZE  
FINISH (CONTACTS):  
05 = 0.25 - 0.3  $\mu$  GOLD  
22 = 0.75  $\mu$  GOLD ON CONTACT AREA,  
3  $\mu$  90/10 TIN/LEAD ON TAILS  
42 = 0.75  $\mu$  GOLD ON CONTACT AREA,  
3  $\mu$  100% TIN OVER NICKEL ON TAILS  
ELECTRICAL:  
CURRENT RATING AT 25°C = 3.0A MAX  
CURRENT RATING AT 85°C = 2.2A MAX  
WORKING VOLTAGE = 800V AC/DC  
VOLTAGE PROOF = 1200V AC/DC  
CONTACT RESISTANCE = 25 m $\Omega$  MAX  
INSULATION RESISTANCE = 100 M $\Omega$  MIN  
MECHANICAL:  
DURABILITY = 500 OPERATIONS  
ENVIRONMENTAL:  
TEMPERATURE RANGE = -55°C TO +125°C  
PACKING: TUBE  
FOR COMPLETE SPECIFICATION, SEE  
COMPONENT SPEC C005XX (LATEST ISSUE)

DIMENSION	CALCULATION
DIM 'A'	TOTAL No. OF CONTACTS - 2
DIM 'B'	TOTAL No. OF CONTACTS + 5
DIM 'C'	TOTAL No. OF CONTACTS + 10
EXAMPLE: CONNECTOR WITH 20 CONTACTS, GOLD ON CONTACT AREA AND 100% OVER NICKEL TIN ON TAIL, M80-5212042.	
DIM 'A' = 18.00mm, DIM 'B' = 25.00mm, DIM 'C' = 30.00mm	

MSP	3	18.08.15	13052
NAME	ISS.	DATE	C/NOTE
APPROVED:		M.PERRIN	
CHECKED:		M.PLESTED	
DRAWN:		W. J. BOURNE	
CUSTOMER REF.:			
ASSEMBLY DRG:			

## HARWIN

www.harwin.com  
technical@harwin.com

THIS DRAWING AND ANY INFORMATION OR DESCRIPTIVE MATTER SET OUT HEREON ARE CONFIDENTIAL AND COPYRIGHT PROPERTY OF THE HARWIN GROUP AND MUST NOT BE DISCLOSED, LOANED, COPIED OR USED FOR MANUFACTURING, TENDERING OR FOR ANY OTHER PURPOSE WITHOUT THEIR WRITTEN PERMISSION.

TOLERANCES  
X. =  $\pm 1\text{mm}$   
X.X =  $\pm 0.50\text{mm}$   
X.XX =  $\pm 0.10\text{mm}$   
X.XXX =  $\pm 0.01\text{mm}$   
ANGLES =  $\pm 5^\circ$   
UNLESS STATED

MATERIAL:  
SEE ABOVE  
FINISH: SEE ABOVE  
S/AREA: mm<sup>2</sup>

TITLE: JACKSCREW DATAMATE  
DIL VERTICAL PC TAIL (4.5mm)  
MALE ASSEMBLY (NO J/S)  
DRAWING NUMBER:  
**M80-521XXXX**  
SHT 2 OF 2