



PART NAME

EXTRUDED ALUMINUM IP65 PCB ENCLOSURES

PART No.

EXN-23364 (SEE TABULATION FOR COMBINATIONS)

REVISION DATE

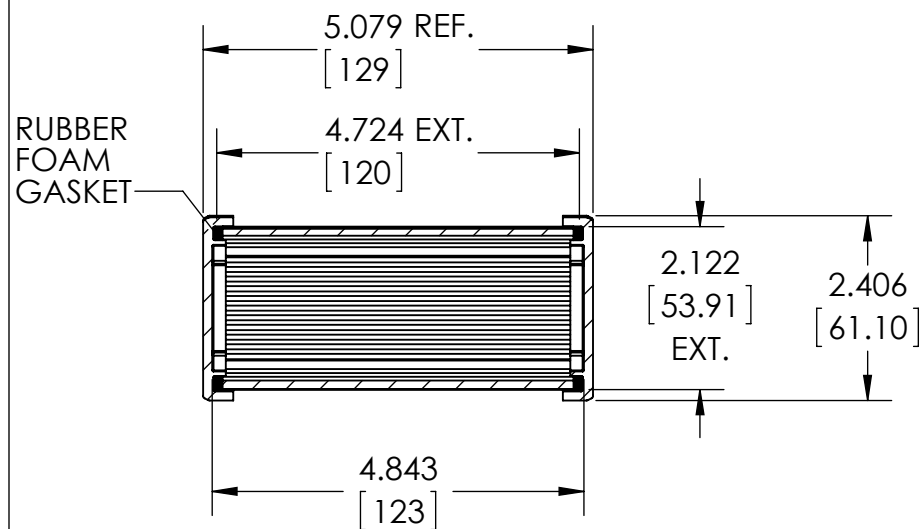
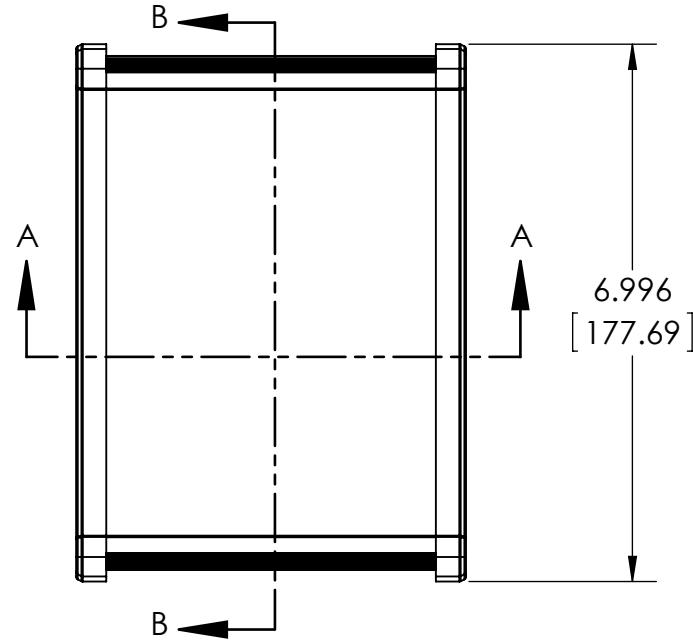
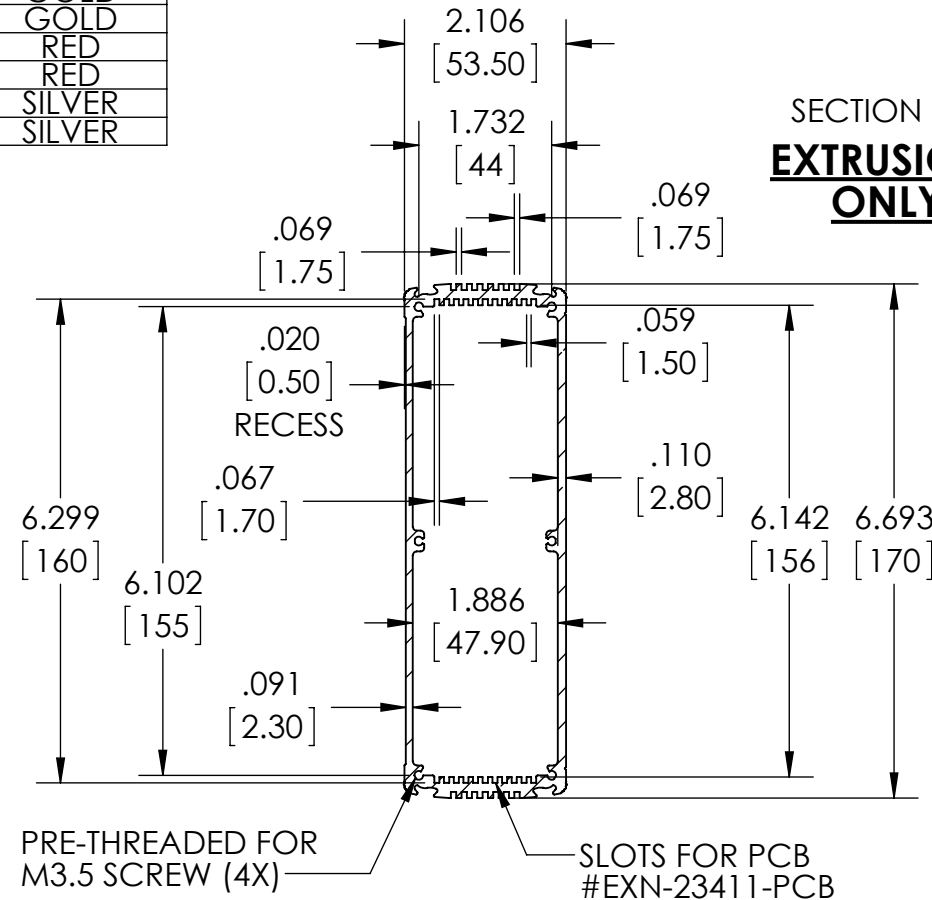
10-23-15

PART NUMBER	ALUM. COVER	PLASTIC COVER	BODY COLOR
EXN-23364-BK	BLACK	-	BLACK
EXN-23364-BKP	-	BLACK	BLACK
EXN-23364-BL	BLACK	-	BLUE
EXN-23364-BLP	-	TRANSLUCENT BLUE	BLUE
EXN-23364-GD	BLACK	-	GOLD
EXN-23364-GDP	-	CLEAR	GOLD
EXN-23364-RD	BLACK	-	RED
EXN-23364-RDP	-	IR RED	RED
EXN-23364-SV	BLACK	-	SILVER
EXN-23364-SVP	-	CLEAR	SILVER

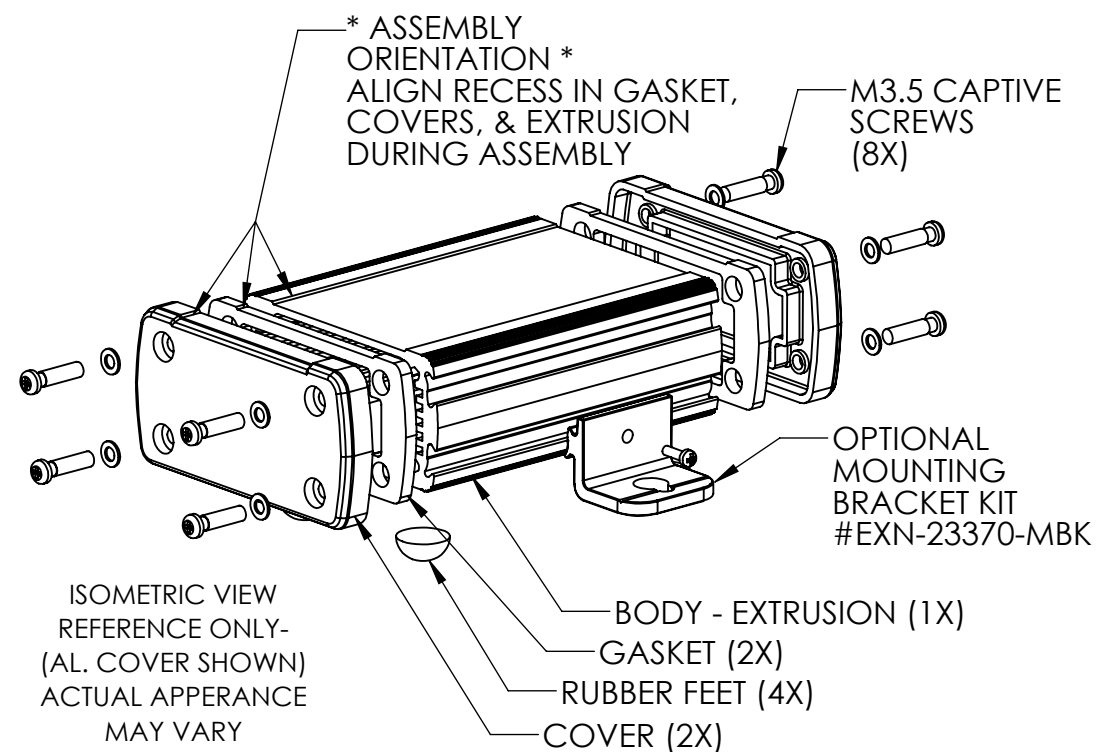
MATERIAL: ALUMINUM EXTRUSION BODY PROVIDED WITH ALUMINUM COVER (2X) AND GASKETS OR POLYCARBONATE COVER (2X) AND GASKETS - NOT ASSEMBLED

DIMENSIONS ARE INCH[MM]

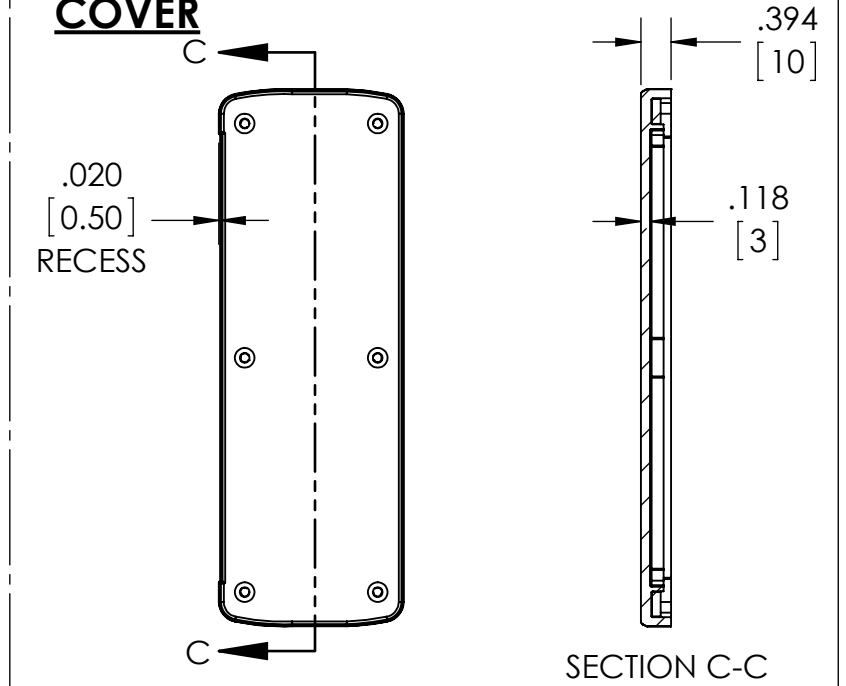
DRAWING FOR REFERENCE
WE RESERVE THE RIGHT TO MAKE CHANGES TO OUR STANDARD PRODUCTS. PLEASE CONSULT WITH BUD INDUSTRIES PRIOR TO USING THIS DRAWING FOR DESIGN PURPOSE.

SECTION B-B
EXTRUSION ONLY

DIMENSIONS MAY VARY DEPENDING ON THE COMPRESSION OF THE GASKETS



DIE CAST ALUMINUM COVER



PLASTIC COVER

