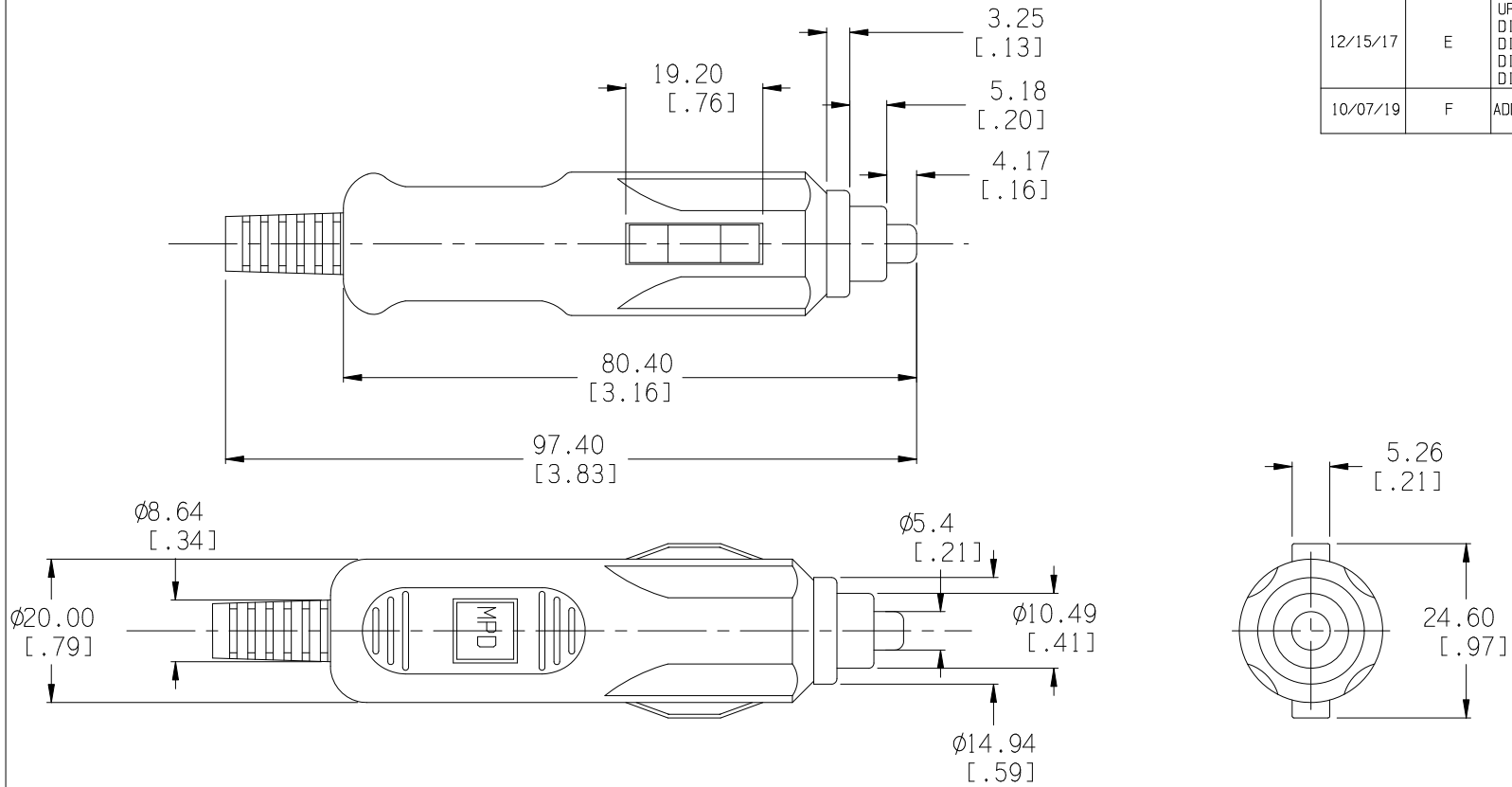



Date	SYM	REVISION RECORD	AUTH	DR.	CK.
12/01/07	C	UL94V-HB WAS UL94V-0	T.B.	B.S.	
08/28/14	D	UPDATED TO ROHS 2 COMPLIANT	T.B.	B.S.	
12/15/17	E	UPDATED SPECIFICATIONS DIM. 80.40 WAS 80.26 DIM. 24.60 WAS 24.20 DIM. 97.40 WAS 97.00 DIM. 20.00 WAS 20.10	T.B.	B.S.	
10/07/19	F	ADDED RING MATERIAL	T.B.	B.S.	



**SPECIFICATION:**

BODY: HIGH IMPACT ABS, UL94-HB, FILE NO. E56070(S)  
 COLOR: BLACK, NO LED  
 CENTER CONTACT: BRASS, NICKEL PLATED  
 SLIDING CONTACTS: PHOS. BRONZE, NICKEL PLATED  
 RING: BRASS, NICKEL PLATED  
 SPRING: PHOS. BRONZE WIRE  
 WIRE STRAIN RELIEF: PVC  
 FUSE: 250V, 3 AMP, 3AG 6.35mm x 30mm (1/4" X 1 1/4")  
 RATED AT 18 HOURS, CONTINUOUS DUTY  
 5 AMP'S MAX WITH CORRECT FUSE  
 ROHS COMPLIANT

Tolerance (Inches)	 <b>Memory Protection Devices, Inc.</b> 200 Broad Hollow Road, Farmingdale, New York 11735		
Decimal	$\pm .5$ (.020)	Scale	Drawn By B.S.
Fractional	$\pm .8$ (.030)	Approved By T.B.	
Angular	$\pm 3^\circ$	Date	Drawing Number
		10/07/19	APP-003