

PART NAME

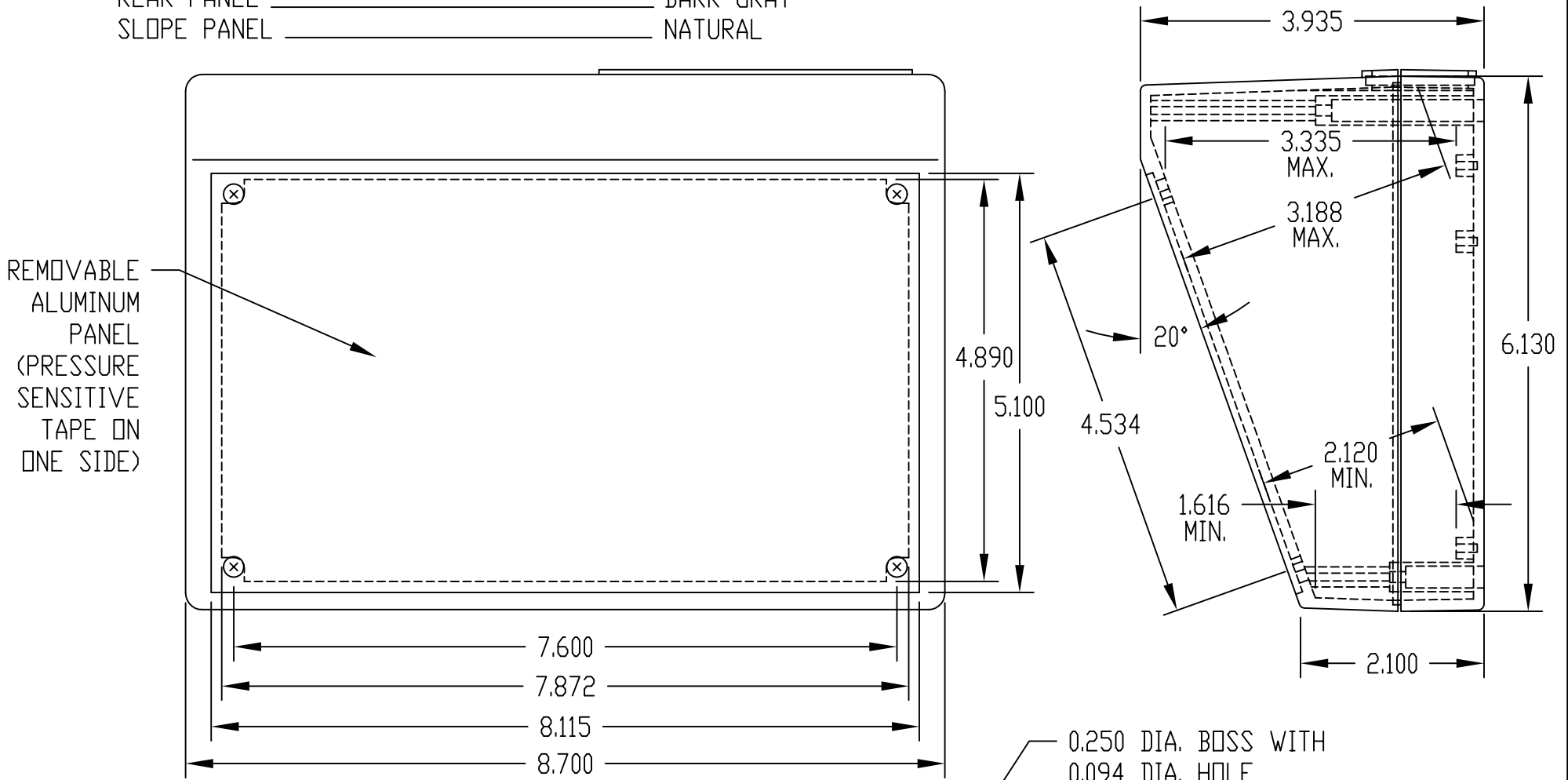
PLASTICASE

PART No.

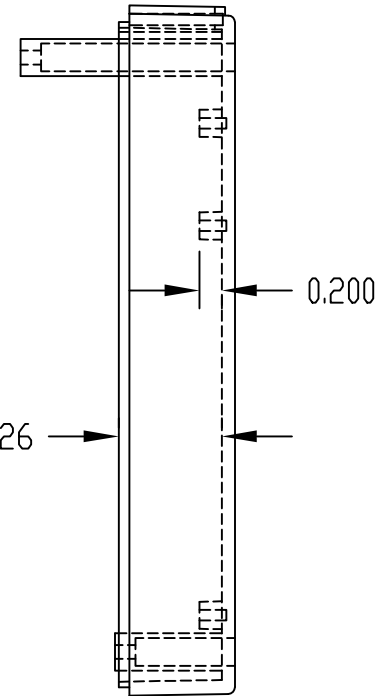
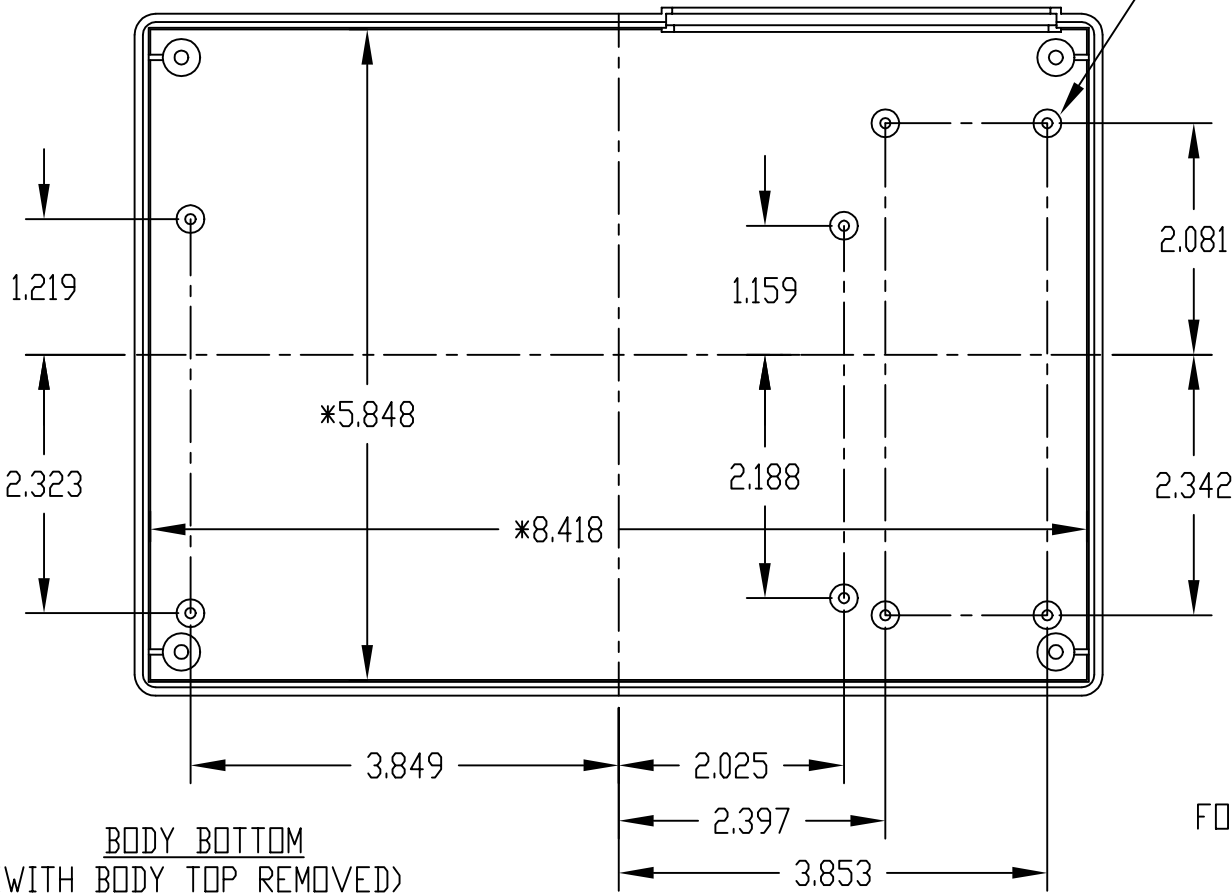
PC-11491

MATERIAL: BODY TOP & BOTTOM, REAR PANEL \_\_\_\_\_ ABS THERMOPLASTIC (UL94-HB RATED)  
SLOPE PANEL \_\_\_\_\_ 0.080 THK. ALUMINUM

FINISH: BODY TOP & BOTTOM \_\_\_\_\_ LIGHT GRAY  
REAR PANEL \_\_\_\_\_ DARK GRAY  
SLOPE PANEL \_\_\_\_\_ NATURAL



0.250 DIA. BOSS WITH 0.094 DIA. HOLE (8) PLACES



FOUR (4) M3 x 0.630" LG. SCREWS SUPPLIED FOR ASSEMBLING BODY TOP TO BOTTOM

FOUR (4) M3 x 0.315" LG. CSK. SCREWS SUPPLIED FOR ASSEMBLING SLOPE PANEL TO BODY TOP

FOUR (4) RUBBER PUSH-ON FEET SUPPLIED

MOUNTING BOSSES USE EITHER M2.5 METRIC OR #4 STD. SHEET METAL SCREWS x 0.188" LG. (NOT SUPPLIED)

NOTE: ALL DIMENSIONS HAVE ±0.015 TOLERANCE UNLESS OTHERWISE SPECIFIED

\* THESE INSIDE DIMENSIONS ARE TAKEN FROM CLOSED END OF THE BOX. DIMENSIONS INCREASE SLIGHTLY AT OPEN END DUE TO TAPER.

