

THE INFORMATION CONTAINED HEREIN IS CONSIDERED "PROPRIETARY" TO BEL FUSE INC. AND SHALL NOT BE COPIED, REPRODUCED OR DISCLOSED WITHOUT THE WRITTEN APPROVAL OF BEL FUSE INC.

LED 3 POLARITY			LED 4 POLARITY		
PIN 19	PIN 20	COLOR	PIN 21	PIN 22	COLOR
+	-	GREEN	+	-	GREEN



ELECTRICAL CHARACTERISTICS @ 25°C

URNS RATIO

TX 1CT : 1CT ±3%
 RX 1CT : 1CT ±3%

DCL @ 100kHz/100mVRMS
 8mA DC BIAS

350µH MIN.

INS. LOSS

1MHZ TO 100MHZ -1.0 dB MAX

RET. LOSS (MIN)

1MHZ-30MHZ -18 dB
 30MHZ-60MHZ -18+20LOG(F/30MHZ) dB
 60MHZ-80MHZ -12 dB

CROSS TALK (TX - RX)

500kHz-1MHz -70 dB MIN
 10 MHz -50 dB MIN
 30 MHz -45 dB MIN
 50 MHz -40 dB MIN
 100 MHz -35 dB MIN

CM TO CM REJ

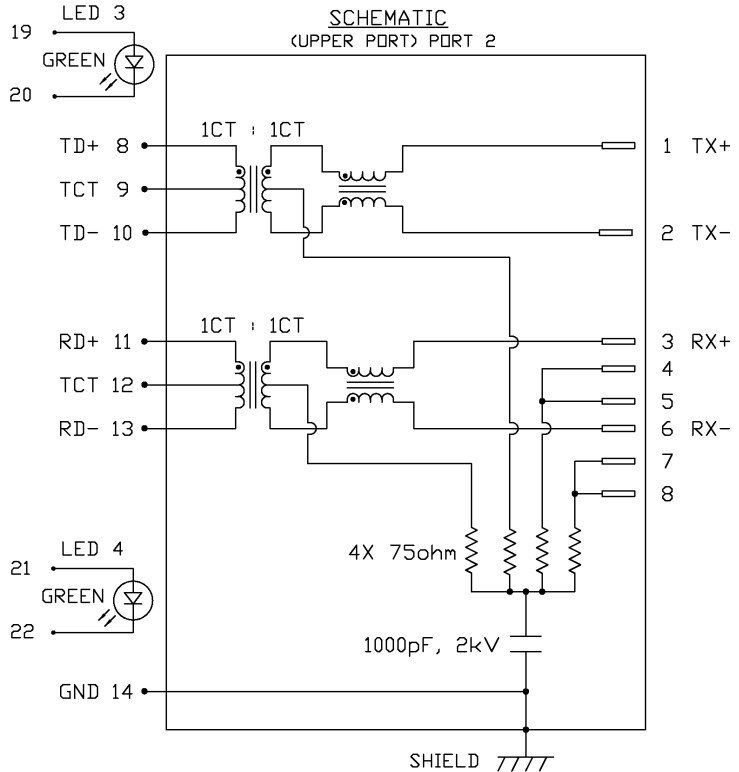
100kHz-1MHz -70 dB MIN
 10 MHz -47 dB MIN
 30 MHz -42 dB MIN
 60 MHz -37 dB MIN
 100 MHz -30 dB MIN

CM TO DM REJ

100kHz-1MHz -70 dB MIN
 10 MHz -60 dB MIN
 30 MHz -50 dB MIN
 60 MHz -45 dB MIN
 100 MHz -40 dB MIN

HIPOT (Isolation Voltage):
 LED 3 & LED 4 (Super bright)
 VF (FORWARD VOLTAGE)
 λD (DOMINANT WAVELENGTH)

IF=20mA GREEN 2.2V TYP.
 IF=20mA GREEN 565nm TYP.



ORIGINATED BY	DATE	TITLE	PART NO. / DRAWING NO.	STANDARD DIM. TOL. IN INCH	[] METRIC DIM. AS REFERENCE
CHUNG	12-14-05	2X1 MagJack® (with LED)	0845-2G1T-H5	.X	UNIT : INCH [mm] REV. : B
DRAWN BY	DATE		FILE NAME	.XX	SCALE : N/A SIZE : A4
DE	12-14-05		08452G1TH5B.DWG	.XXX	PAGE : 2



THE INFORMATION CONTAINED HEREIN IS CONSIDERED "PROPRIETARY" TO BEL FUSE INC. AND SHALL NOT BE COPIED, REPRODUCED OR DISCLOSED WITHOUT THE WRITTEN APPROVAL OF BEL FUSE INC.

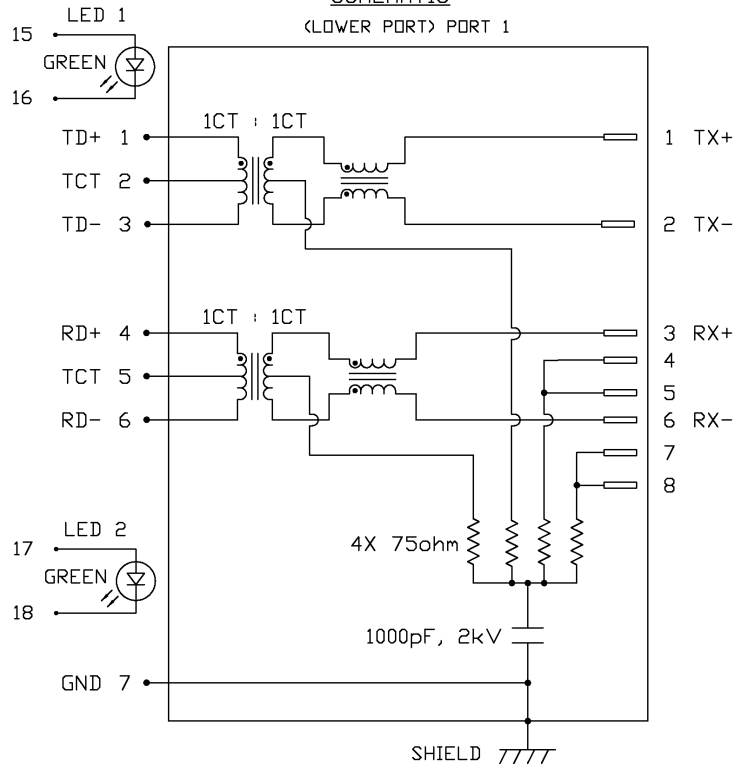


LED 1 POLARITY			LED 2 POLARITY		
PIN 15	PIN 16	COLOR	PIN 17	PIN 18	COLOR
+	-	GREEN	+	-	GREEN

ELECTRICAL CHARACTERISTICS @ 25°C

URNS RATIO		
TX	1CT : 1CT ±3%	
RX	1CT : 1CT ±3%	
QCL @ 100kHz/100mVRMS		
8mA DC BIAS	350µH MIN.	
INS. LOSS		
1MHz TO 100MHz	-1.0 dB MAX	
RET. LOSS (MIN)		
1MHz-30MHz	-18 dB	
30MHz-60MHz	-18+20LOG(F/30MHz) dB	
60MHz-80MHz	-12 dB	
CROSS TALK (TX - RX)		
500kHz-1MHz	-70 dB MIN	
10 MHz	-50 dB MIN	
30 MHz	-45 dB MIN	
50 MHz	-40 dB MIN	
100 MHz	-35 dB MIN	
CM TO CM REJ		
100kHz-1MHz	-70 dB MIN	
10 MHz	-47 dB MIN	
30 MHz	-42 dB MIN	
60 MHz	-37 dB MIN	
100 MHz	-30 dB MIN	
CM TO DM REJ		
100kHz-1MHz	-70 dB MIN	
10 MHz	-60 dB MIN	
30 MHz	-50 dB MIN	
60 MHz	-45 dB MIN	
100 MHz	-40 dB MIN	
HIPDT (Isolation Voltage):	1500 Vrms	
LED 1 & LED 2		
V _F (FORWARD VOLTAGE)	IF=20mA GREEN 2.2V TYP.	
λ _D (DOMINANT WAVELENGTH)	IF=20mA GREEN 565nm TYP.	

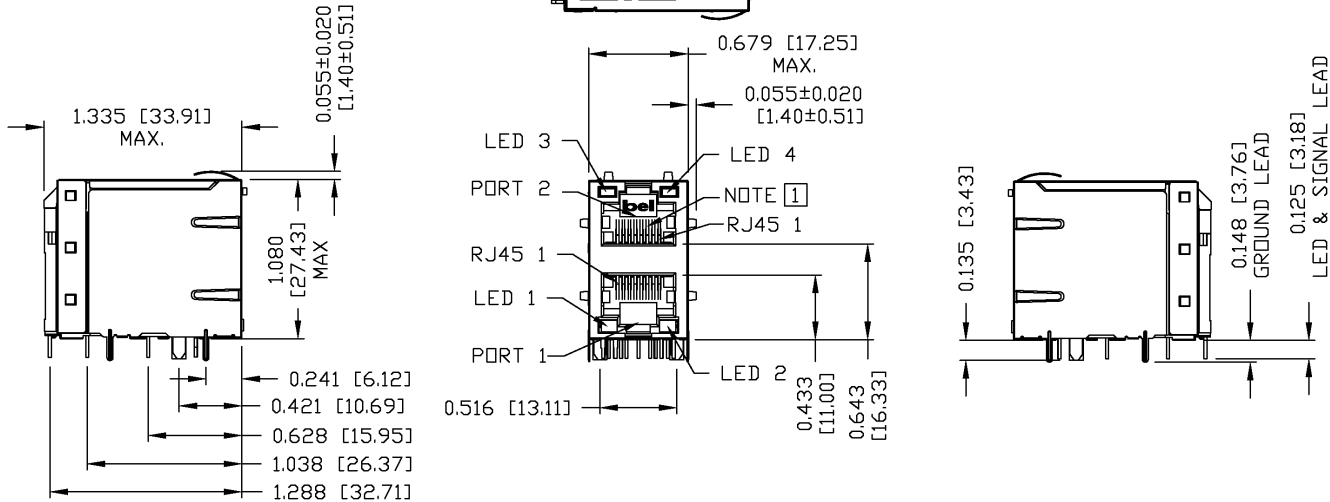
SCHEMATIC



ORIGINATED BY	DATE	TITLE	PART NO. / DRAWING NO.	STANDARD DIM. TOL. IN INCH	[] METRIC DIM. AS REFERENCE
CHUNG	12-14-05	2X1 MagJack® (with LED)	0845-2G1T-H5	.X	UNIT : INCH [mm]
DRAWN BY	DATE		FILE NAME	.XX	SCALE : N/A
DE	12-14-05		08452G1TH5B.DWG	.XXX	SIZE : A4
					REV. : B
					PAGE : 3



THE INFORMATION CONTAINED HEREIN IS CONSIDERED "PROPRIETARY" TO BEL FUSE INC. AND SHALL NOT BE COPIED, REPRODUCED OR DISCLOSED WITHOUT THE WRITTEN APPROVAL OF BEL FUSE INC.



NOTES:

- PLASTIC HOUSING: THERMOPLASTIC PBT
FLAMMABILITY RATING UL 94V-0
- CONTACT PLATING: 50 MICRO-INCH HARD GOLD PLATING
- OUTPUT PINS: TIN-COATED COPPER WIRE, DIA 0.018 INCH.
- METAL SHIELD: NICKEL PLATED ON COPPER ALLOY.
(ALL GROUND LEADS ARE SOLDER DIPPED)

[1] JACK CAVITY CONFORMS TO FCC RULES AND REGULATIONS, PART 68 SUBPART F.

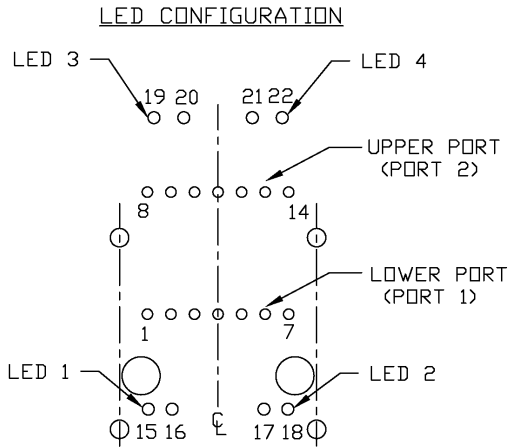
[2] MARK PART WITH MFG LOGO, MFG NAME, PART NUMBER, AND DATE CODE.

RoHS COMPLIANCE, PER EU DIRECTIVE 2002/95/EC.

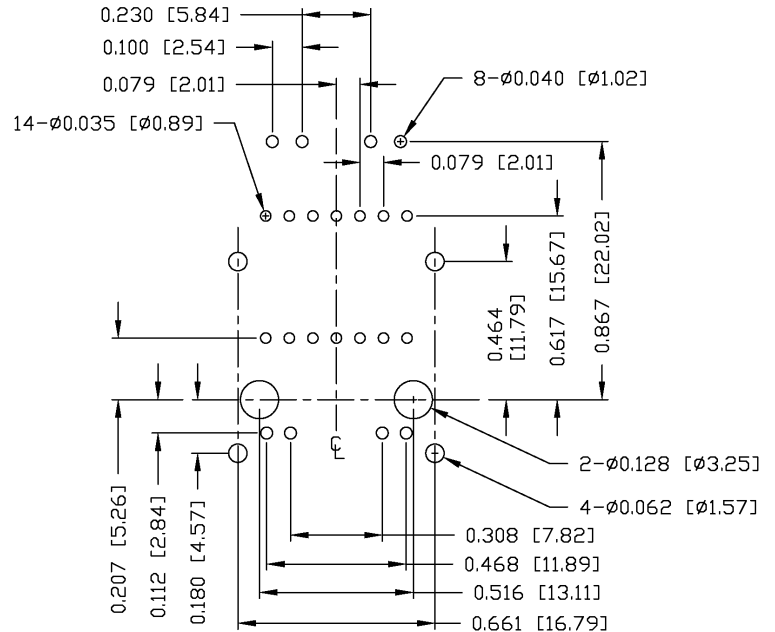
UL RECOGNIZED - FILE #E196366 AND E169987.

ORIGINATED BY BILL/KEUNG	DATE 12-14-05	TITLE 2X1 MagJack® (with LED)	PART NO. / DRAWING NO. 0845-2G1T-H5		STANDARD DIM. TOL. IN INCH		[] METRIC DIM. AS REFERENCE	
			FILE NAME 08452G1TH5B.DWG		.X .XX .XXX ±0.010	UNIT : INCH [mm] SCALE : N/A	REV. : B SIZE : A4 PAGE : 4	
DRAWN BY QIN	DATE 12-14-05						 <small>COMPONENTS ON A CONNECTED PLANET</small>	

THE INFORMATION CONTAINED HEREIN IS CONSIDERED "PROPRIETARY" TO BEL FUSE INC. AND SHALL NOT BE COPIED, REPRODUCED OR DISCLOSED WITHOUT THE WRITTEN APPROVAL OF BEL FUSE INC.



PIN-OUT INFORMATION
(COMPONENT SIDE VIEW)
(SCALE 2:1)



SUGGESTED FOOTPRINT
(COMPONENT SIDE VIEW)
(SCALE 2:1)

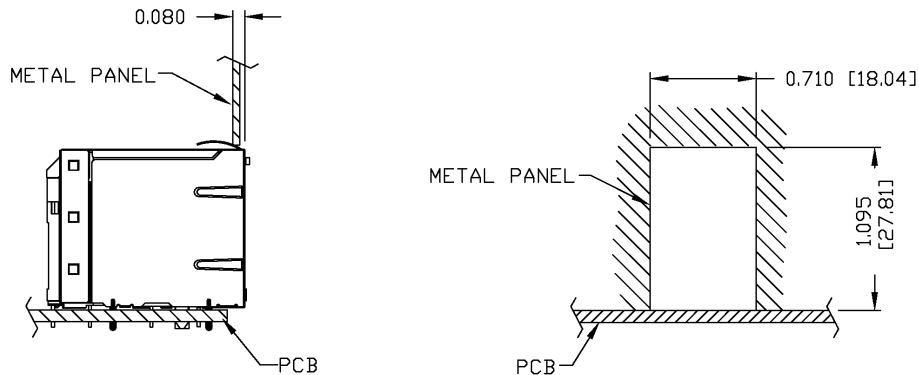
ORIGINATED BY BILL/KEUNG	DATE 12-14-05	TITLE 2X1 MagJack® (with LED)	PART NO. / DRAWING NO. 0845-2G1T-H5	STANDARD DIM. TOL. IN INCH	[] METRIC DIM. AS REFERENCE
	DRAWN BY QIN		DATE 12-14-05	FILE NAME 08452G1TH5B.DWG	.X .XX .XXX ±0.004



THE INFORMATION CONTAINED HEREIN IS CONSIDERED "PROPRIETARY" TO BEL FUSE INC. AND SHALL NOT BE COPIED, REPRODUCED OR DISCLOSED WITHOUT THE WRITTEN APPROVAL OF BEL FUSE INC.



SUGGESTED PANEL OPENING



NOTE:

THE DISTANCE OF PANEL INSIDE SURFACE RELATIVE TO FRONT SURFACE OF PART IS ONLY A SUGGESTION. IN CASE THIS DISTANCE IS DIFFERENT, THE REQUIRED PANEL OPENING DIMENSIONS CHANGE ACCORDINGLY.

PACKING INFORMATION

PACKING TRAY: 0200-9999-H5 (TOP)
0200-9999-H6 (BOTTOM)

PACKING QUANTITY: 40 PCS FINISHED GOODS PER TRAY
6 TRAYS (240 PCS FINISHED GOODS) PER CARTON BOX.

NOTE: CARDBOARD ARE PLACED BETWEEN LAYERS OF PACKING TRAY INSIDE CARTON BOX.
(INCLUDE THE UPPERMOST AND LOWEREST TRAY)

ORIGINATED BY	DATE	TITLE 2X1 MagJack® (with LED)	PART NO. / DRAWING NO.	STANDARD DIM.	[] METRIC DIM. AS REFERENCE	
BILL/KEUNG	12-14-05		0845-2G1T-H5	TOL. IN INCH	UNIT : INCH [mm]	REV. : B
DRAWN BY	DATE		FILE NAME	.X	SCALE : N/A	SIZE : A4
QIN	12-14-05		08452G1TH5B.DWG	.XX	⊕	PAGE : 6
				.XXX		

