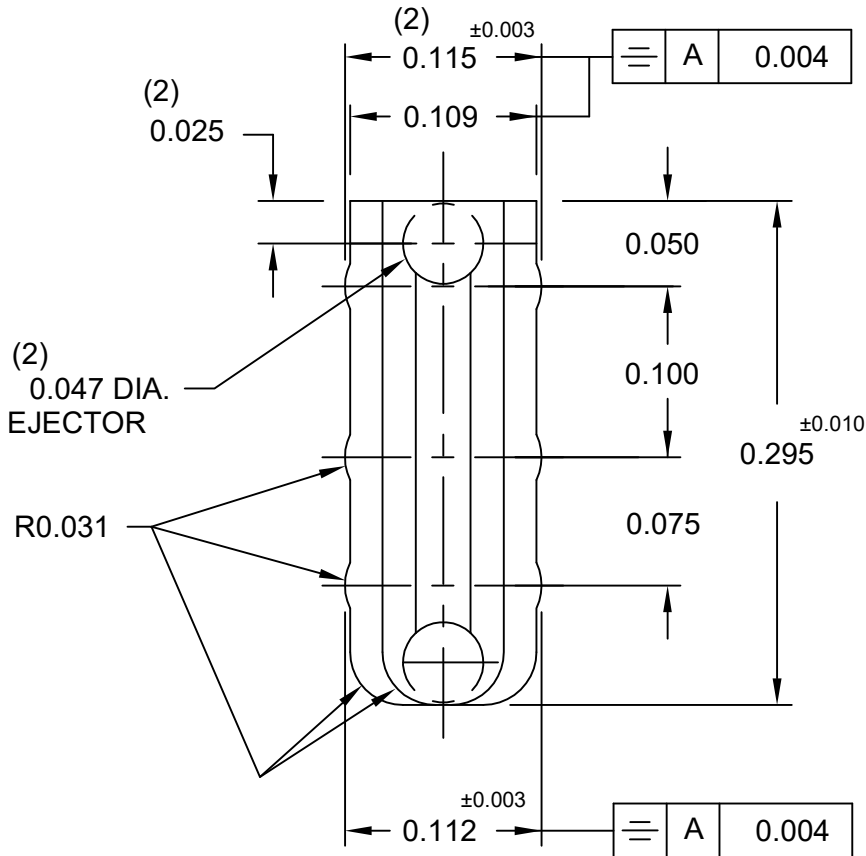
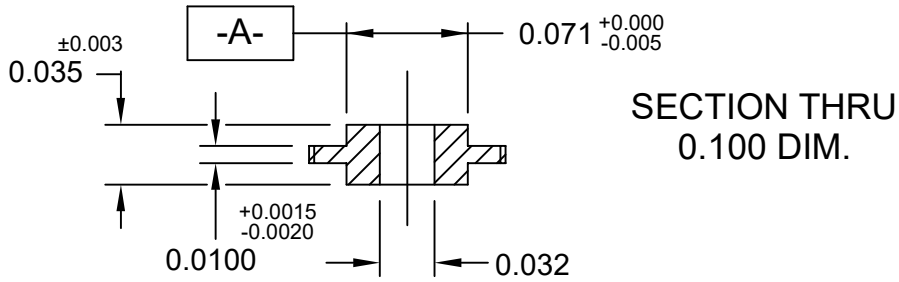


THIS IS A C.A.D. GENERATED DRAWING
DO NOT MAKE MANUAL REVISIONS TO MASTER.



* UNLESS OTHERWISE SPECIFIED TOLERANCES
ON DECIMAL IS:
FRACTION $\pm 1/32$ 4 PLACE ± 0.001
2 PLACE ± 0.01 5 PLACE ± 0.000050
3 PLACE ± 0.005 6 PLACE ± 0.000020

ISSUE NUMBER	
ORIGINAL	①
RE-DRAWN F.BRIONES DEC.8/97	①
341-240-318 DELETED F.BRIONES NOV.16/12	①



- 1- MATERIAL: NYLON 6/6 COLOR NATURAL 30% GLASS FILLED.
- 2- MOLDED PART CONFORM TO EDAC SPEC. 110-0211.

PART NUMBER: 341-240-317 (AS MOULDED NOT DYED)

POLARIZING KEY

ACAD REFERENCE NO. 341-240-001	
DRAWN: F.BRIONES	DATE: DEC.8/97
CHECKED:	DATE:
SCALE: (IN C.A.D. 1:1)	SHEET 1 OF 1



EDAC INC
TORONTO, ONTARIO
CANADA
YOUR CONNECTION TO QUALITY & SERVICE

THESE DRAWINGS AND SPECIFICATIONS
ARE THE PROPERTY OF EDAC INC., AND
SHALL NOT BE REPRODUCED, OR COPIED
OR USED AS THE BASIS FOR THE
MANUFACTURE OR SALE OF APPARATUS
WITHOUT WRITTEN PERMISSION.

DRAWING NUMBER 341-240-001	ISSUE 10
--------------------------------------	-------------