

A2E250-AE65-01

# AC axial fan

straight blades (A series)



**ebm-papst Mulfingen GmbH & Co. KG**

Bachmühle 2

74673 Mulfingen

Phone: +49 7938 81-0

Fax: +49 7938 81-110

[www.ebmpapst.com](http://www.ebmpapst.com)

[info1@de.ebmpapst.com](mailto:info1@de.ebmpapst.com)

## Nominal data

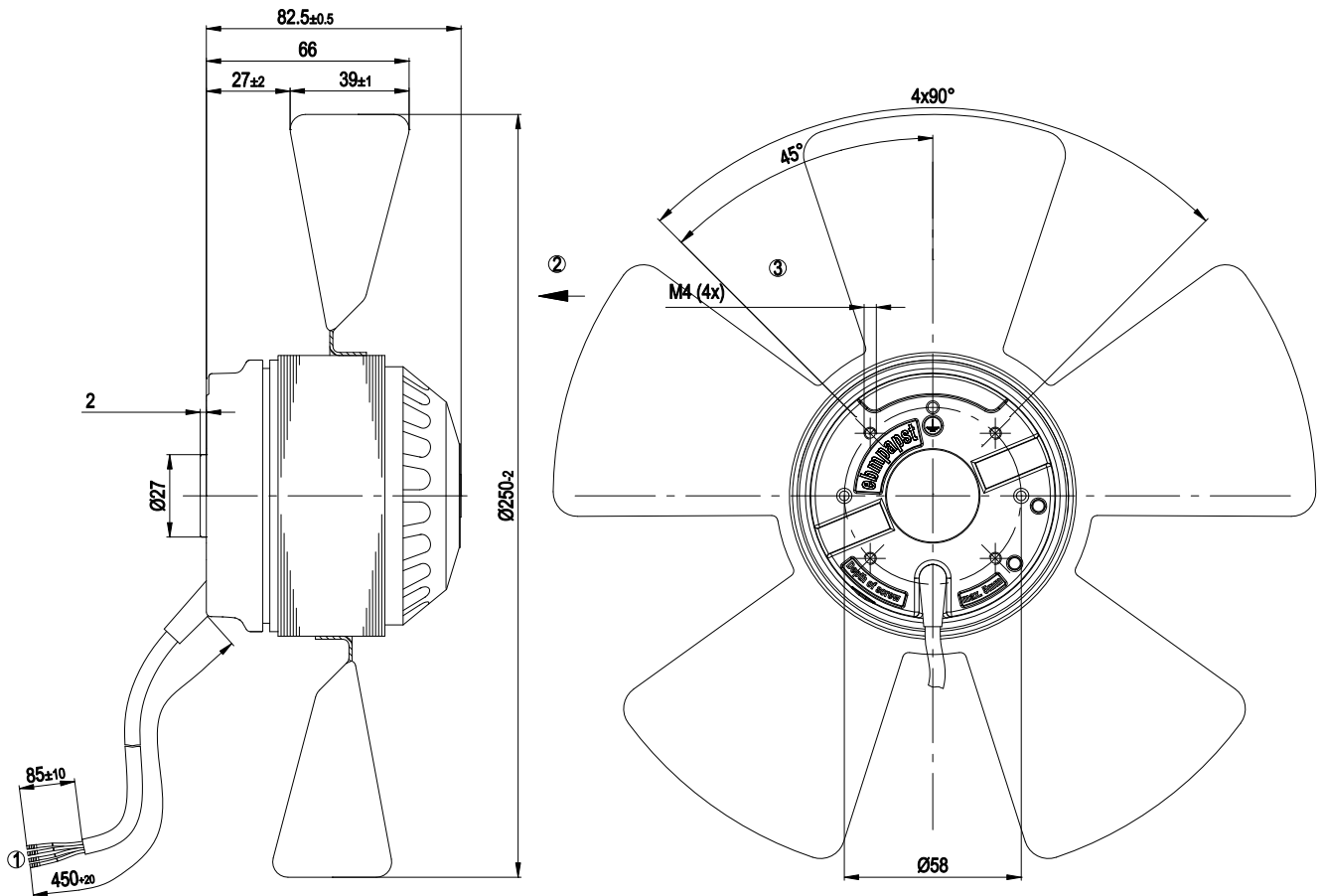
Type	A2E250-AE65-01			
Motor	M2E068-DF			
Phase		1~	1~	1~
Nominal voltage	[V]	230	230	230
Frequency	[Hz]	50	60	60
Type of data definition		rfa	rfa	rfa
Valid for approval / standard		CE	CE	UL
Speed	[min <sup>-1</sup> ]	2550	2750	2750
Power input	[W]	115	165	175
Current draw	[A]	0.51	0.74	0.74
Motor capacitor	[µF]	4	4	4
Capacitor voltage	[VDB]	400	400	400
Capacitor standard		P0 (CE)	P0 (CE)	UL
Max. back pressure	[Pa]	150	130	130
Max. ambient temperature	[°C]	55	50	50

ml = max. load · me = max. efficiency · rfa = running at free air · cs = customer specs · cu = customer unit  
Subject to alterations

## Technical features

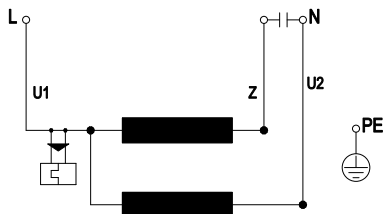
Leakage current	< 0.75 mA
Size	250 mm
Operation mode	S1
Direction of rotation	Counter-clockwise, seen on rotor
Mounting position	Shaft horizontal or rotor on bottom; rotor on top on request
Humidity class	F1-2
Direction of air flow	"V"
Insulation class	"B"
Cable exit	Variable
Condensate discharge holes	Rotor-side
Bearing motor	Ball bearing
Mass	2.2 kg
Material of impeller	Sheet steel, coated in black
Motor protection	Thermal overload protector (TOP) wired internally
Product conforming to standard	CE; EN 60335-1
Surface of rotor	Coated in black
Number of blades	5
Type of protection	IP 44
Protection class	I
Max. permissible ambient motor temp. (transp./ storage)	+ 80 °C
Min. permissible ambient motor temp. (transp./storage)	- 40 °C
Approval	CCC; GOST

## Product drawing



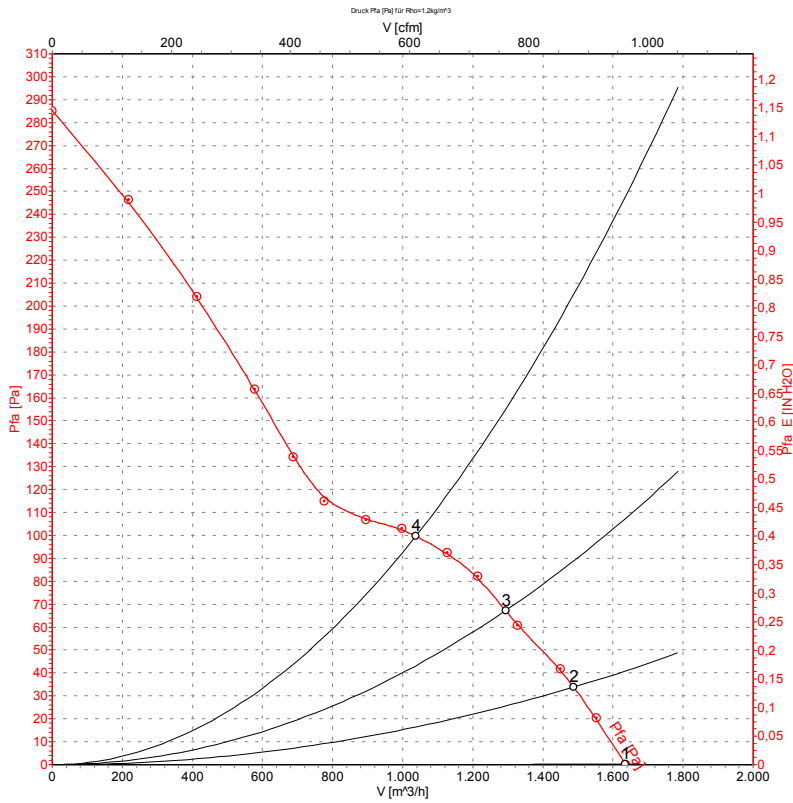
- |   |   |
|---|---|
| 1 | Connection line PVC 4G 0.5 mm <sup>2</sup> , 4x brass lead tips crimped |
| 2 | Direction of air flow "V"   |
| 3 | Depth of screw max. 5 mm  |

## Connection screen



U1	blue	Z	brown	U2	black
PE	green/yellow				

## Charts: Air flow 50 Hz

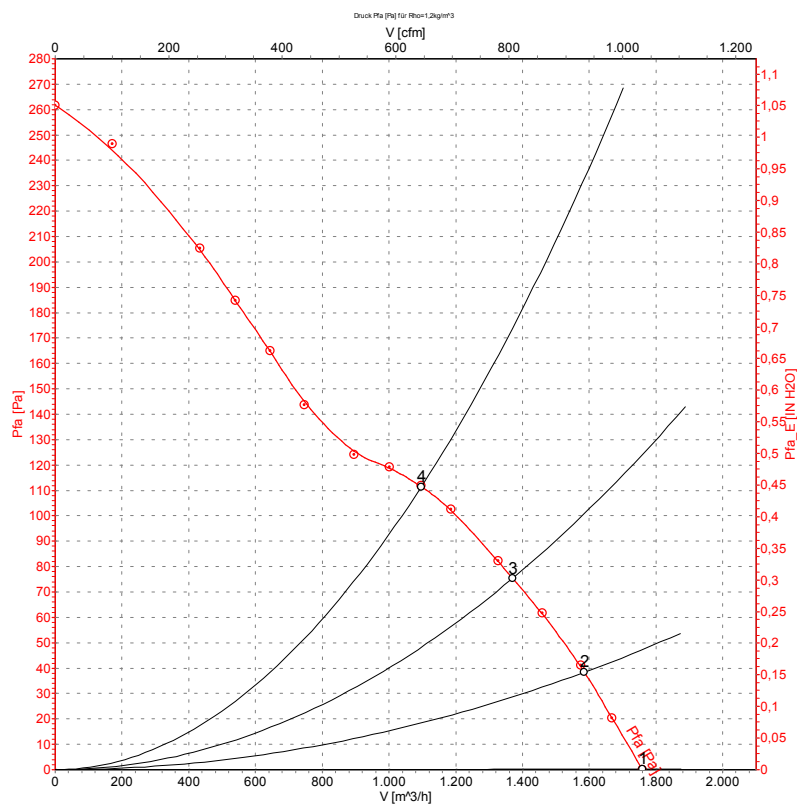


Measurement: LU-24072

## Measured values

	U	f	n	P <sub>1</sub>	I	η <sub>TL</sub>	Ŷ	P <sub>fa</sub>
	[V]	[Hz]	[min <sup>-1</sup> ]	[W]	[A]	[%]	[m <sup>3</sup> /h]	[Pa]
1	230	50	2550	115	0.51	41	1610	0
2	230	50	2500	124	0.54	49	1490	34
3	230	50	2475	127	0.55	51	1295	67
4	230	50	2470	127	0.55	48	1035	100

## Charts: Air flow 60 Hz



### Measured values

	U	f	n	P <sub>1</sub>	I	η <sub>TL</sub>	$\hat{V}$	P <sub>fa</sub>
	[V]	[Hz]	[min <sup>-1</sup> ]	[W]	[A]	[%]	[m <sup>3</sup> /h]	[Pa]
1	230	60	2750	165	0.74	42	1740	0
2	230	60	2675	169	0.75	50	1585	39
3	230	60	2620	171	0.76	52	1370	75
4	230	60	2605	172	0.76	49	1095	112