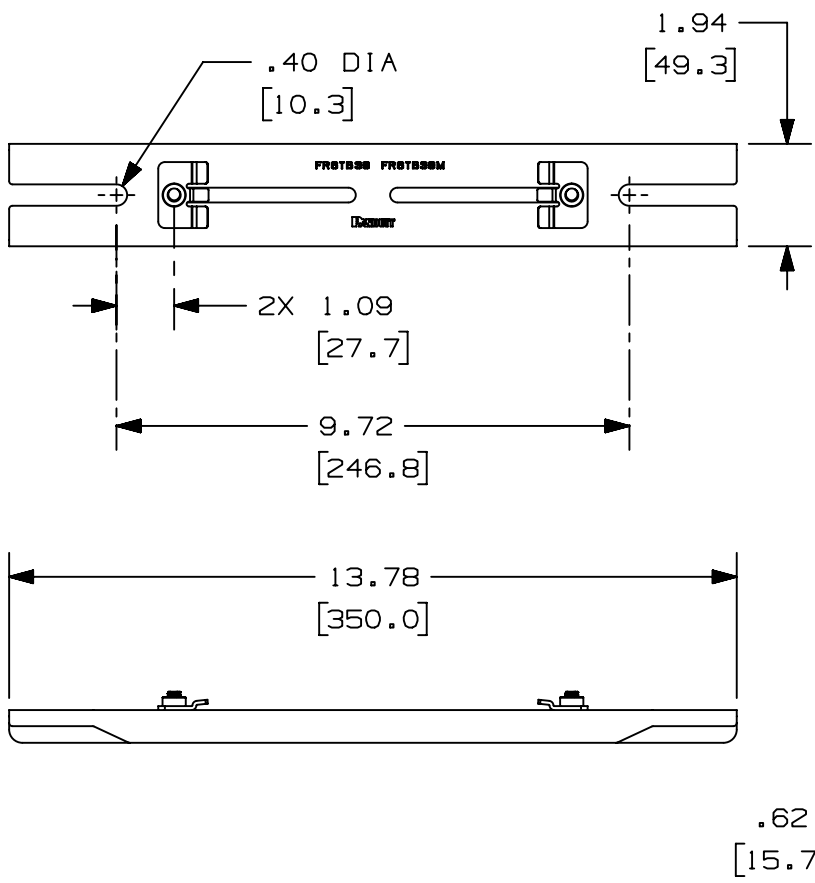


THIS COPY IS PROVIDED ON A RESTRICTED BASIS AND IS NOT TO BE USED IN ANY WAY DETRIMENTAL TO THE INTERESTS OF PANDUIT CORP.

PANDUIT PART NUMBER	WEIGHT
FR6TB38 FR6TB38M	1.10 LB/EACH (501g/EACH)



NOTES:

- SEE CURRENT CATALOG FOR ADDITIONAL PART SUFFIXES TO INDICATE PACKAGE QUANTITY.
- THE FIBERRUNNER 4x4 AND 6x4 QUIKLOCK TRAPEZE BRACKET IS USED TO SUPPORT THE FIBERRUNNER 4x4 AND/OR 6x4 CABLE ROUTING SYSTEMS BETWEEN TWO (2) SECTIONS OF NEW 3/8" (M10) THREADED ROD THAT ARE 10" (254) - 13" (330.2) APART.
- THE FIBERRUNNER 4x4 AND 6x4 QUIKLOCK TRAPEZE BRACKET INCLUDES:
ONE (1) BRACKET ASSEMBLY,
FOUR (4) 3/8 HELICAL SPRING LOCKWASHERS (FR6TB38 ONLY),
FOUR (4) 3/8-16 HEAVY HEX NUTS (FR6TB38 ONLY),
FOUR (4) M10 HELICAL SPRING LOCKWASHERS (FR6TB38M ONLY),
FOUR (4) M10x1.5 HEX NUTS (FR6TB38M ONLY).
- FINISH COLOR: BLACK (EXCEPT FOR HARDWARE).
- DIMENSIONS IN PARENTHESES ARE IN METRIC.

B

B

A

A

D10100DA/20

REV	DATE	BY	CHK	APR	DESCRIPTION	ECN
04B	9/12/19	MEX-JAGC	FWI	FWI	P. "STAMPING OPTIONAL" LABEL ADDED SEE PREVIOUS REVISION FOR HISTORY	V09002CN/07

TITLE FIBERRUNNER 4x4 AND 6x4 QUIKLOCK TRAPEZE BRACKET 3/8" (M10) THREADED ROD					
CUSTOMER DRAWING					
ITEM REVISION NAME D38022CM/04			PANDUIT		
DATASET FILE NAME D38022CM_DC/04B					
DRAWING NUMBER: 38022-47			MATERIAL: N/A		
THIRD ANGLE PROJECTION					
DRAWN BY JHNU	DATE 10-02-01	CHK RPA	SCALE NONE	SHT 1 OF 1	
			SIZE A		