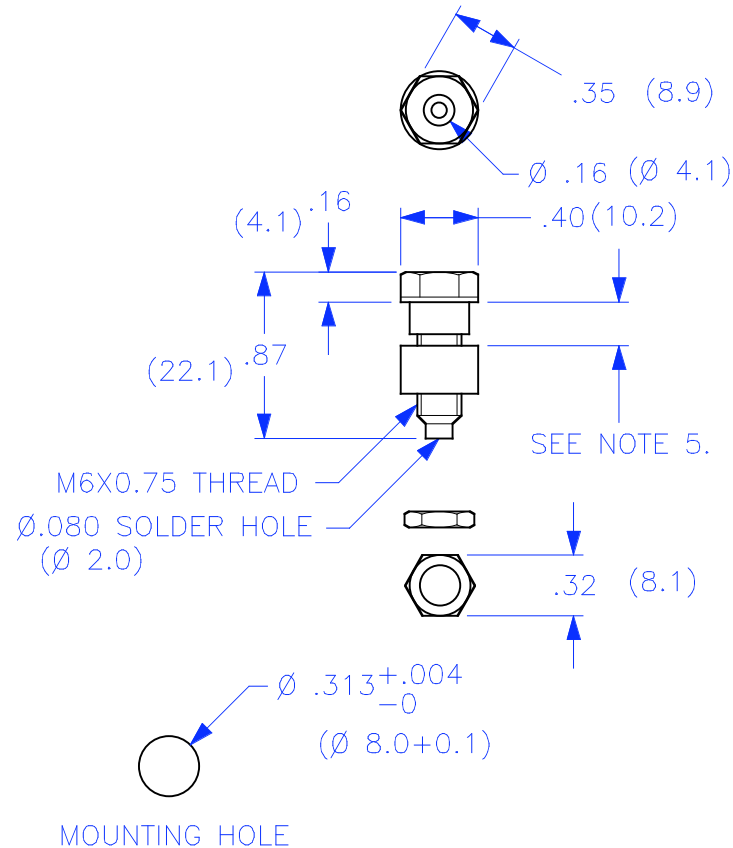


THIS IS ISSUED IN STRICT CONFIDENCE THAT IT IS NOT USED AS A BASIS FOR MANUFACTURE OR SALE AND THAT IT IS NOT COPIED, REPRINTED OR DISCLOSED TO A THIRD PARTY EITHER WHOLLY OR IN PART WITHOUT THE PRIOR WRITTEN CONSENT OF CAL TEST ELECTRONICS, INC.

| REVISIONS | | | |
|-----------|------------------|---------|----------|
| REV. | DESCRIPTIONS | DATE | APPROVED |
| — | CLASS A RELEASED | 7/11/99 | |

- 4mm INSULATED JACK, SOLDER.
- SPECIFICATIONS:
INSULATOR: POLYAMIDE (NYLON)
JACK BODY: BRASS, NICKEL PLATED
NUT: BRASS, NICKEL PLATED
- RATING:
VOLTAGE: 1,200V AC/DC
CURRENT: 36A MAX.
TEMPERATURE: -20° C TO +80° C.
- MOUNTING HOLE: REFERENCE DIAGRAM.
- MAXIMUM PANEL THICKNESS: .20 (5.1)



PART NUMBER

CT2228-#

- COLOR:
- 0 — BLACK
 - 2 — RED
 - 4 — YELLOW
 - 5 — GREEN
 - 6 — BLUE
 - 9 — WHITE

| | | | | | | | | |
|------------------------|---------|---------------------------------------------------------------------------------------------------------------------------------------------------------|------------------|---------|---------------------------------------------------------------------------------------|------------------------|-------------------------|---------------|
| THIRD ANGLE PROJECTION | | UNLESS OTHERWISE SPECIFIED DIMENSIONS ARE IN INCHES TOLERANCES ARE: FRACTIONS DECIMALS ± 1/32 .XX ± .02 .XXX ± .005 DO NOT SCALE DRAWING | CONTRACT NO. | | Cal Test Electronics 22820 Savi Ranch Parkway Yorba Linda, CA 92887-4610 | | | |
| | | | APPROVALS | DATE | TITLE | | | |
| | | MATERIAL | DRAWN WDH | 7/11/99 | 4mm INSULATED JACK, SOLDER | | | |
| | | FINISH | CHECKED | | SIZE A | CAGE CODE 43F45 | DWG. NO. P222800 | REV. — |
| NEXT ASSY | USED ON | | ENGR. | | SCALE 1:1 | SHEET 1 OF 1 | | |
| APPLICATION | | | DESIGN ACTIVITY | | | | | |