

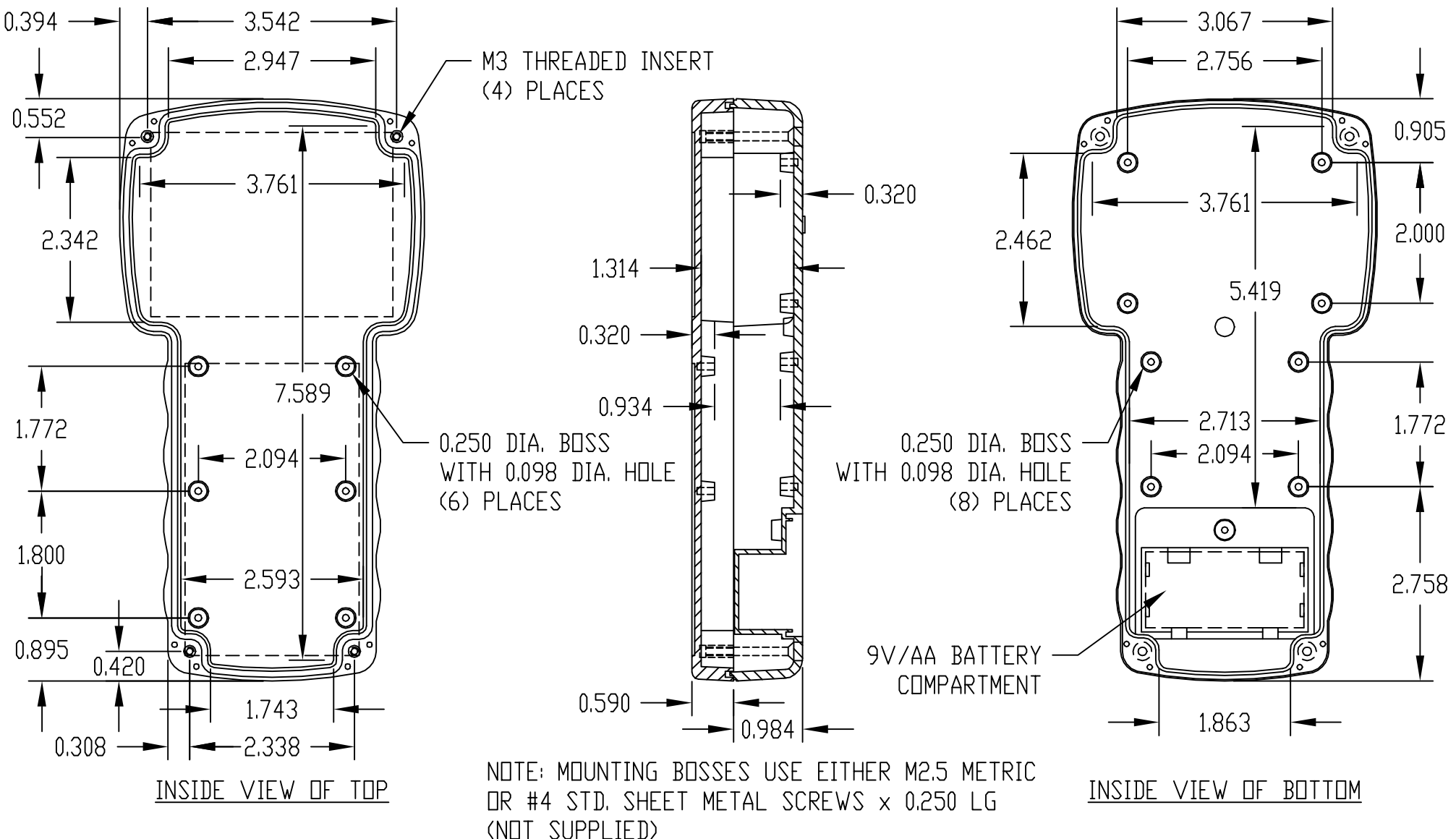
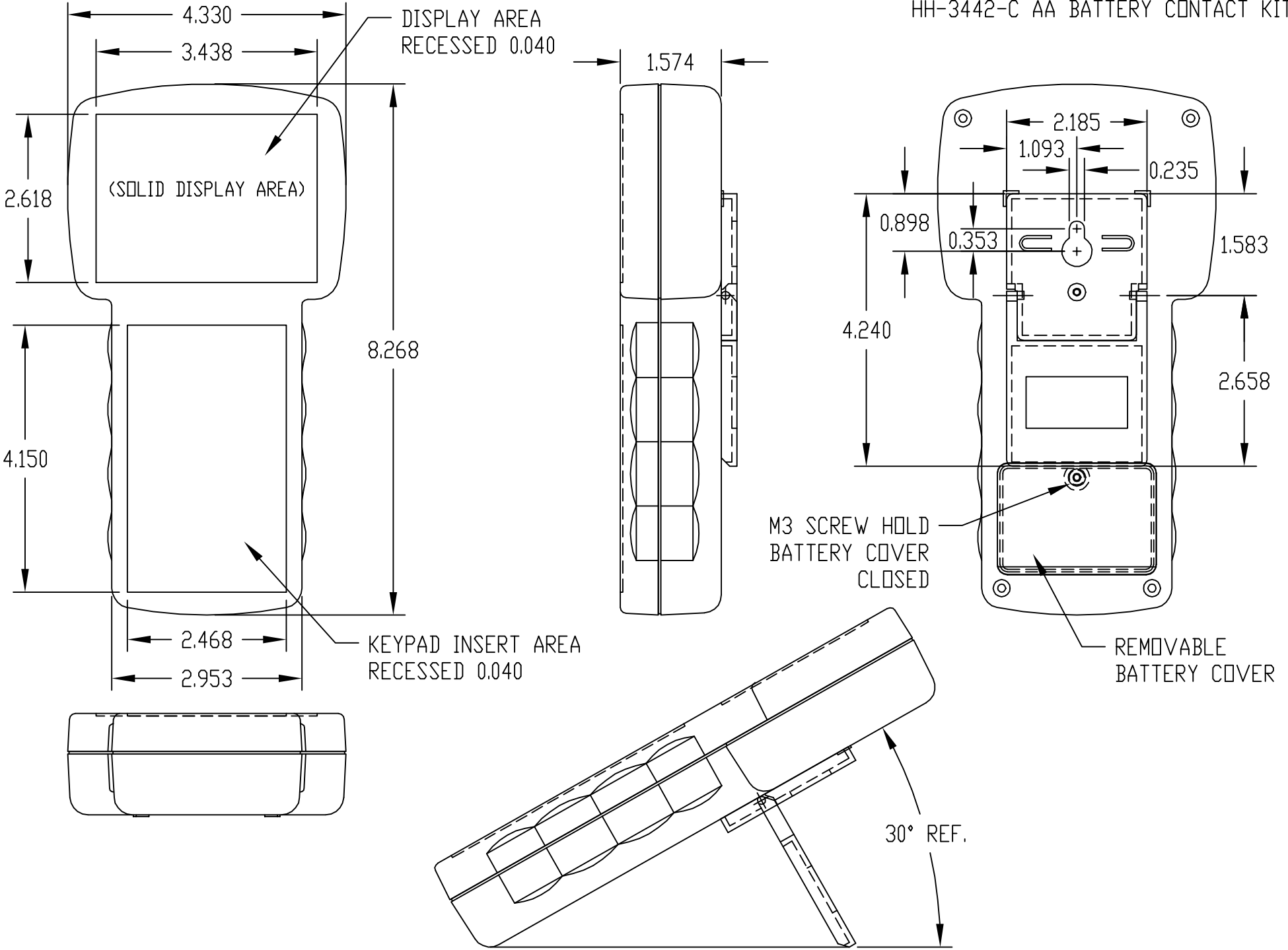
| | | | | | |
|-----------|-------------------------------|----------|-----------------------------|-----------|--|
| PART NAME | HAND HELD ENCLOSURE (STYLE G) | PART No. | HH-3497-BC-B & HH-3497-BC-G | REV. DATE | |
|-----------|-------------------------------|----------|-----------------------------|-----------|--|

MATERIAL:
HIGH-IMPACT ABS (FLAMMABILITY RATING OF UL94V-0)

FINISH:
(SUFFIX -B) _____ BLACK
(SUFFIX -G) _____ LIGHT GRAY

ALL DIMENSIONS HAVE ± 0.015 TOLERANCE.

FOUR (4) M3 \times 1.173 LG. SCREWS SUPPLIED FOR ASSEMBLY.
ONE (1) M3 \times 0.394 LG. SCREW SUPPLIED FOR TILT STAND.
WALL MOUNT/TILT STAND SUPPLIED UNASSEMBLED.
OPTIONAL ACCESSORIES: HH-3441-G GASKET AND
HH-3442-C AA BATTERY CONTACT KIT



NOTE: MOUNTING BOSSES USE EITHER M2.5 METRIC OR #4 STD. SHEET METAL SCREWS \times 0.250 LG (NOT SUPPLIED)