

PART NAME

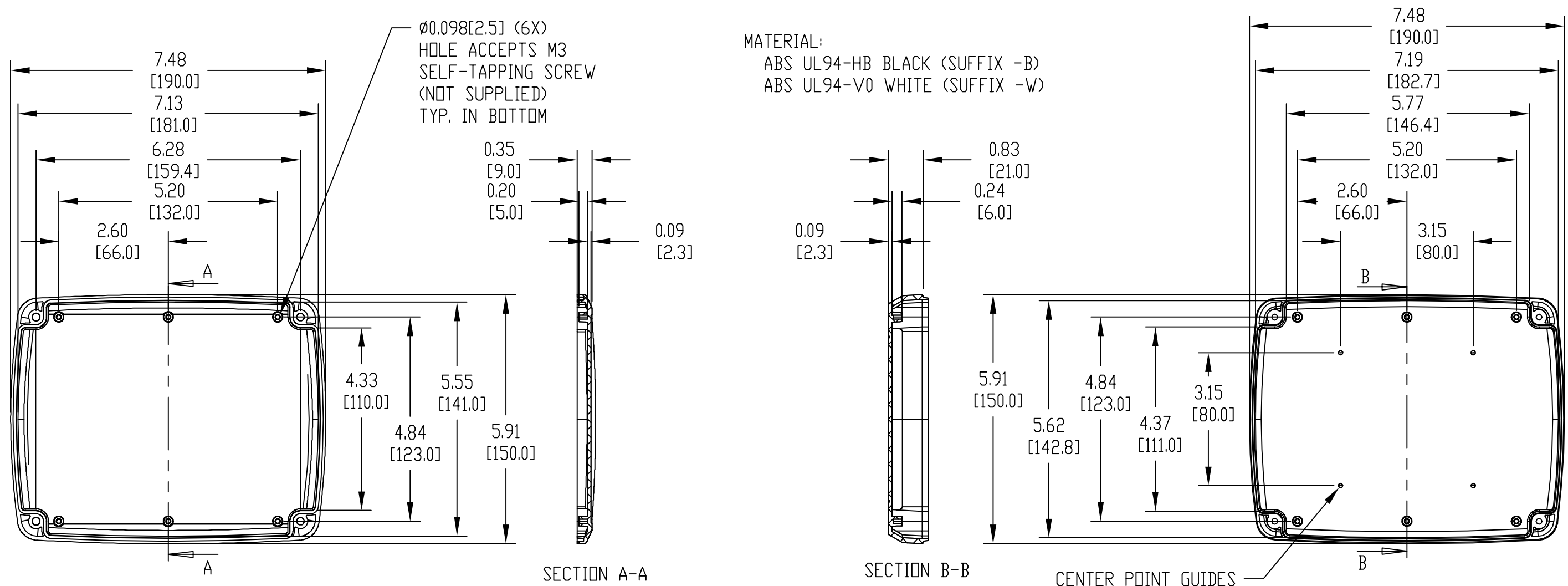
TABLET ENCLOSURE

PART No.

TB-32611-B & TB-32611-W

REV. DATE

2-23-13

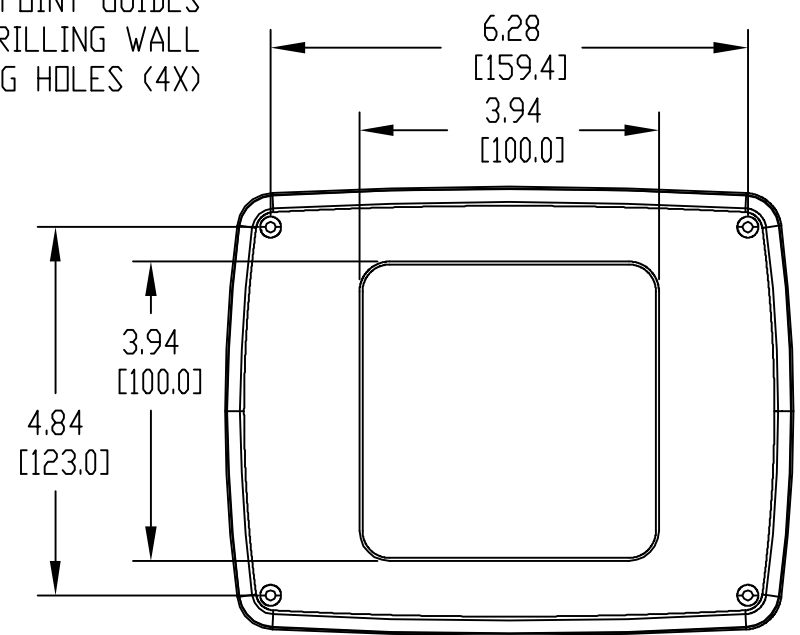
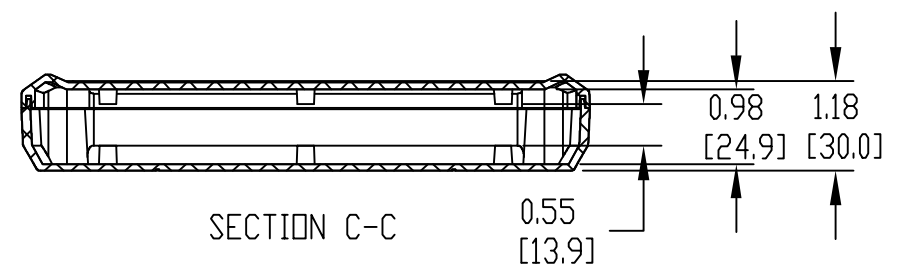
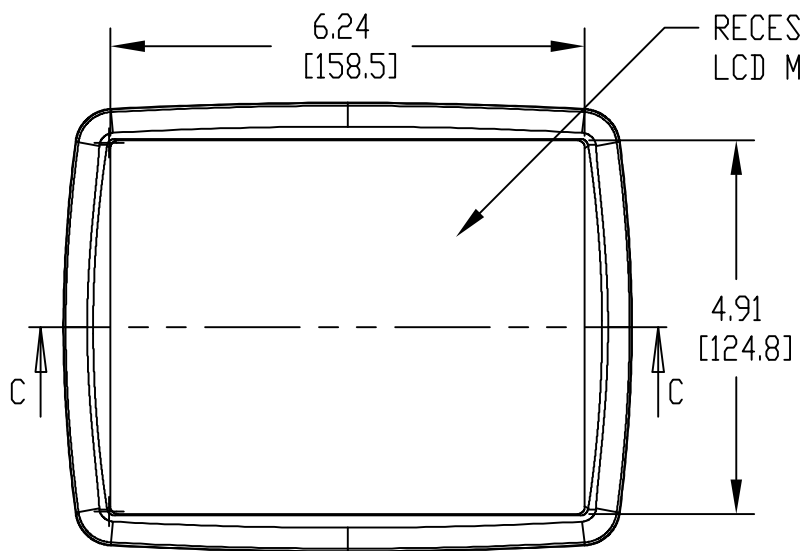


Ø0.098[2.5] (6X)
HOLE ACCEPTS M3
SELF-TAPPING SCREW
(NOT SUPPLIED)
TYP. IN BOTTOM

MATERIAL:
ABS UL94-HB BLACK (SUFFIX -B)
ABS UL94-V0 WHITE (SUFFIX -W)

RECESSED AREA ACCEPTS 5.70[144.8]
LCD MODULE OR TOUCH SCREEN

CENTER POINT GUIDES
FOR DRILLING WALL
MOUNTING HOLES (4X)



- NOTES:
- 1.) FOUR (4) M3 x 0.83[21] LG. SELF-TAPPING SCREWS SUPPLIED FOR ASSEMBLY
 - 2.) FOUR (4) ADD-ON RUBBER FEET SUPPLIED
 - 3.) ALL HOLE DIAMETERS HAVE ±0.005[0.13] TOLERANCE
ALL OTHER DIMENSIONS HAVE ±0.015[0.38] TOLERANCE
 - 4.) DIMENSIONS ARE INCH[MILLIMETER] - THIRD ANGLE PROJECTION
 - 5.) OPTIONAL SILICONE SPONGE GASKET #TB-32611-GSK AVAILABLE