

THIS IS ISSUED IN STRICT CONFIDENCE THAT IT IS NOT USED AS A BASIS FOR MANUFACTURE OR SALE AND THAT IT IS NOT COPIED, REPRINTED OR DISCLOSED TO A THIRD PARTY EITHER WHOLLY OR IN PART WITHOUT THE PRIOR WRITTEN CONSENT OF CAL TEST ELECTRONICS, INC.

- 4mm SAFETY JACK w/M4 STUD & (2) HEX NUTS, STANDARD ROUND PANEL NUT (CT2236-#).
- SPECIFICATIONS:
INSULATOR: POLYAMIDE (NYLON).
CONTACT: BRASS, NICKEL PLATED
LOCKING NUT (ROUND AND HEX): BRASS, NICKEL PLATED
- RATING:
VOLTAGE: 1,000 V CAT III/600 V CAT IV P2 (IEC 61010-031)
CURRENT: 36 A MAX.
RESISTANCE: <12 m.
TEMPERATURE: -20° C TO +80° C..

CE DECLARATION OF CONFORMITY
CONFORMS TO RoHS 2, ANNEX III 6(c) EXEMPTION.

- MOUNTING HOLE: REF. DIAGRAM.
- INSULATOR THREAD, M12 X 0.75. MAX. TORQUE 1.7 ft-lb (2.3 Nm) @ 20°C.
- MAXIMUM PANEL THICKNESS: .40 (10).
- RECOMMENDED ASSEMBLY TOOL: CT2246A (FOR STANDARD ROUND PANEL LOCKING NUT).
- SAFETY JACK AVAILABLE WITH 14 mm HEX PANEL NUT (CT2236-HEX-# ON SPECIAL ORDER).

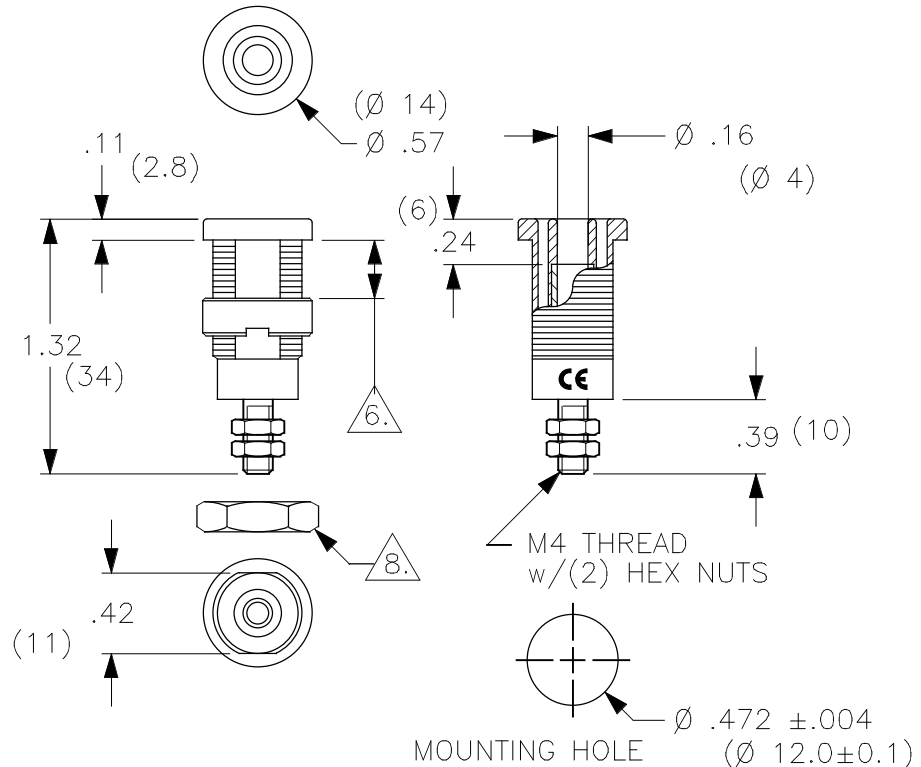
PART NUMBERS

CT2236-HEX-#

CT2236-#

- COLOR: 0 - BLACK
1 - BROWN
2 - RED
3 - ORANGE (SPECIAL)
4 - YELLOW
5 - GREEN
6 - BLUE
7 - PURPLE
8 - GRAY
9 - WHITE

REVISIONS			
REV.	DESCRIPTIONS	DATE	APPROVED
-	CLASS A RELEASED	7/12/99	
A	ADDED CAGE CODE	6/10/05	
B	NOTE 2, MAT'L WAS POLYACETAL	5/19/06	
C	COLOR ORANGE ADDED AS SPECIAL; REVISED NOTE 5 WITH NUT TORQUE SPECIFICATION; NOTED RoHS COMPLIANCE.	6/2/09	
D	ADDED PART NUMBER CT2236-HEX-# AND NOTE 8; REVISED NOTE 3 WITH CE AND RoHS NOTATION.	8/29/16	



THIRD ANGLE PROJECTION		UNLESS OTHERWISE SPECIFIED DIMENSIONS ARE IN INCHES TOLERANCES ARE: FRACTIONS DECIMALS ± 1/32 .XX ± .02 .XXX ± .005 DO NOT SCALE DRAWING	CONTRACT NO.		Cal Test Electronics 22820 Savi Ranch Parkway Yorba Linda, CA 92887-4610			
			APPROVALS		DATE		TITLE	
MATERIAL		DRAWN WDH		7/12/99		4 mm SAFETY JACK, PANEL w/M4 STUD		
FINISH		CHECKED				SIZE A		
NEXT ASSY		ENGR.				CAGE CODE 43F45		
USED ON		DESIGN ACTIVITY				DWG. NO. P223600		
APPLICATION						REV. D		
				SCALE 1:1		SHEET 1 OF 1		