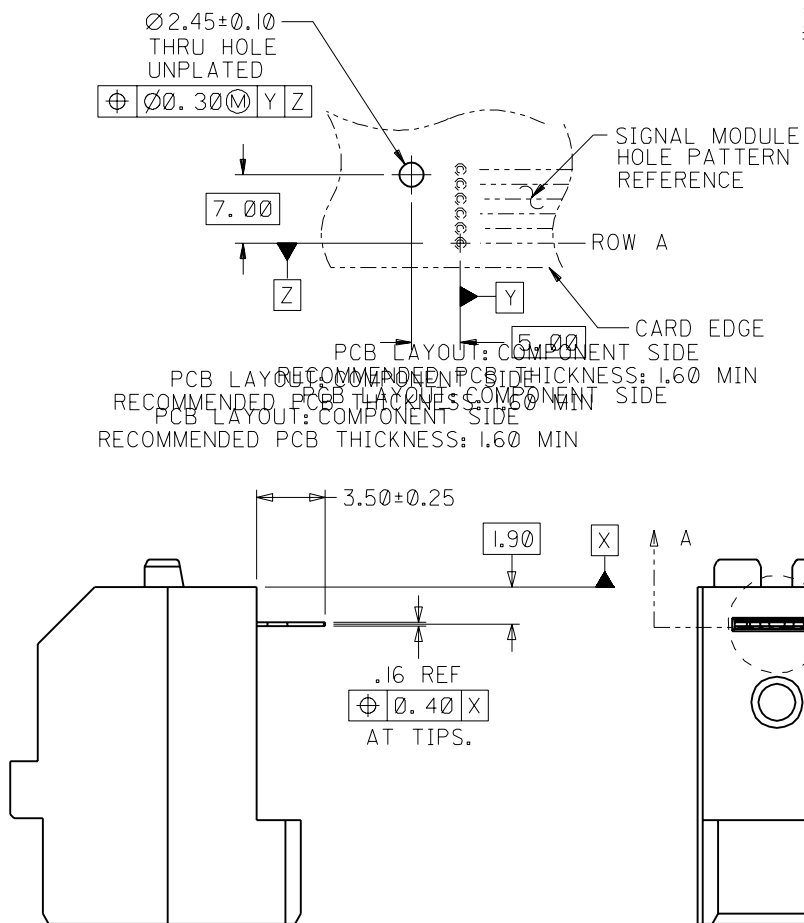
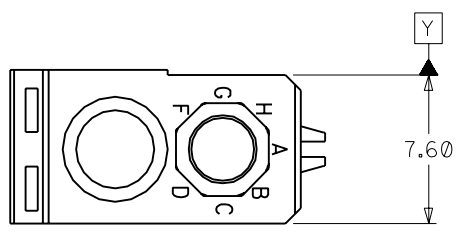
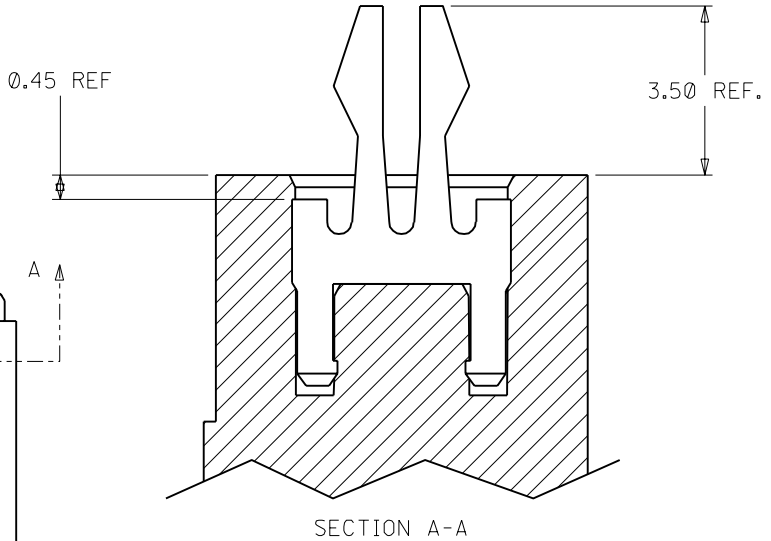


BUSHING CLOCKING POSITIONS	PART NUMBER (FORKS NOT SHOWN)	
NO BUSHING INSTALLED	73713-8000	
A	73713-0000	
B	73713-1000	
C	73713-2000	
D	73713-3000	
E	73713-4000	
F	73713-5000	
G	73713-6000	
H	73713-7000	



**NOTES:**

1. FORK LOCK SHALL WITHSTAND MINIMUM PULL-OUT FORCE OF 816 GRAMS (1.8 LBS).
2. DIMENSIONS ARE IN MILLIMETERS.
3. FORK LOCK OPTION DESIGN FOR STANDARD 1.58 mm BOARDS.
4. MAXIMUM INSERTION FORCE SHALL NOT EXCEED 6.6 LBS.
5. FORK LOCKS FOR SECUREMENT DURING SOLDERING.



INITIAL RELEASE EC NO. U81160 DRW:HELO 97/11/11 CH'K: BINGHAM 97/11/11 APPR: BIXLER 97/11/11	QUALITY SYMBOLS MAJOR = 0 CRITICAL = 0	GENERAL TOLERANCES: (UNLESS SPECIFIED) mm INCH		SCALE 4 : 1 <input checked="" type="checkbox"/> mm <input type="checkbox"/> INCH	DESIGN UNITS <input checked="" type="checkbox"/> mm <input type="checkbox"/> INCH	DIMENSIONS: <input type="checkbox"/> mm <input type="checkbox"/> INCH <input checked="" type="checkbox"/> mm ONLY	SHT REV
		DRAWN BY & DATE ELO 97/11/11	TITLE: SALES ASSY, HDM DAUGHTERCARD GUIDE BLOCK W/PC BOARD LOCK		MOLEX INCORPORATED		SHEET NO. 1 OF 1
REV A	DESCRIPTION DRAFT WHERE APPLICABLE MUST REMAIN WITHIN DIMENSIONS	CAD FILENAME SD73713A.DGN		MATERIAL NO. SEE CHART SD-73713-001		DRAWING NO.	SIZE B