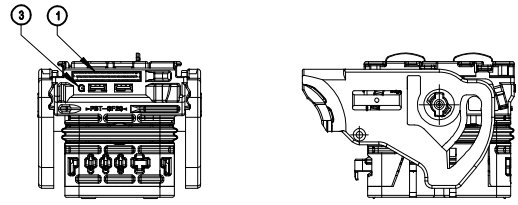
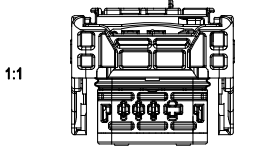
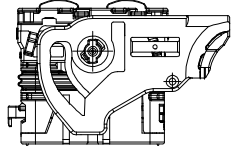
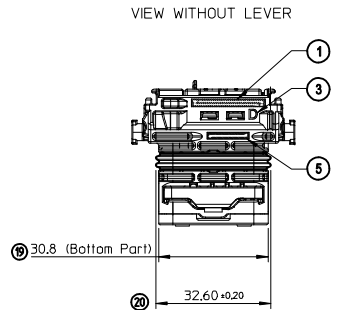
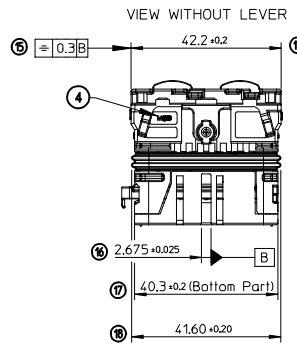
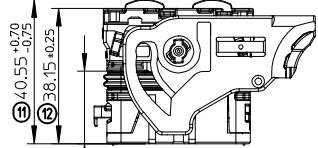
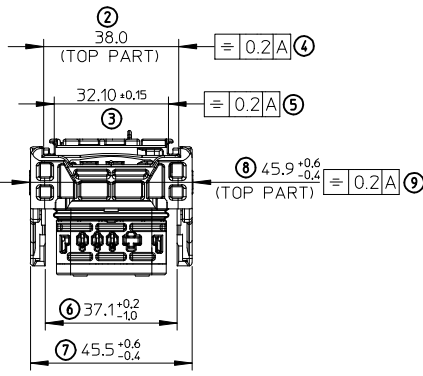
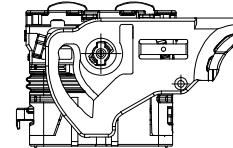
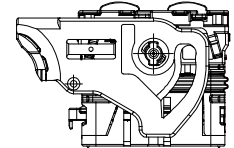


CMC 53W LEFT WIRE OUTPUT

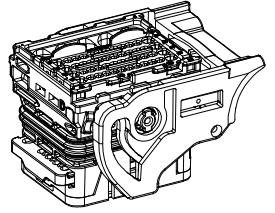
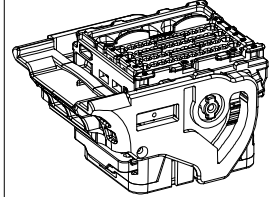


LEFT WIRE OUTPUT (Position shown below)	
MOLEX P/N	COLOR
0643211011	BLACK
0643211018	GREY
0643211019	BROWN
0643211015	GREEN

RIGHT WIRE OUTPUT (Position shown below)	
MOLEX P/N	COLOR
0643212011	BLACK
0643212018	GREY
0643212019	BROWN
0643212015	GREEN



ISOMETRIC VIEWS



LEFT WIRE OUTPUT

RIGHT WIRE OUTPUT

POS.	QTY	DESCRIPTION	MATERIAL	COLOR
7	1	BACK SEAL "GROMMET"	Silicon	RED
8	1	REAR SEAL COVER	>PBT-GF20<	GREY
5	1	LOCKING LEVER R&L S4	>PBT-GF30<	BLACK
4	1	TPA	>PBT-GF20<	YELLOW
3	1	PERIMETER SEAL SIZE 4	Silicon	RED
2	1	HOUSING TOP PART	>PBT-GF20<	BROWN
1	1	HOUSING BOTTOM PART	>PBT-GF20<	BLACK
				BROWN
				GREY
				GREEN

MARKINGS:

- ① - Tracking N° for assembled connector. (Year & Day)
- ② - Cavities Identification (N°).
- ③ - Lever sens indicator. Visible letter "D" = RIGHT WIRE OUTPUT. (Lever on the opposite side of the SL Key)
- ④ - Visible letter "G" = LEFT WIRE OUTPUT. (Lever on the side of the SL Key)
- ⑤ - Supplier logo.
- ⑥ - Molex Area.

NOTES:

- 1- The represented female connector is the "D" version (Way out on the Right), Black coding.
- 2- Application Spec.: AS-64318-002
- 3- Plugs & caps used:
Cavities 0.6: plug: 0643251010
Cavities 1.5: plug: 0643251023
Cavities 2.8: cap: 0643251091
- 4- Weight: 50,8 g
- 5- The assembled female connector matches with the cover CMC 53W (P/N: 0643211011)

*- Clamping areas on male connector.

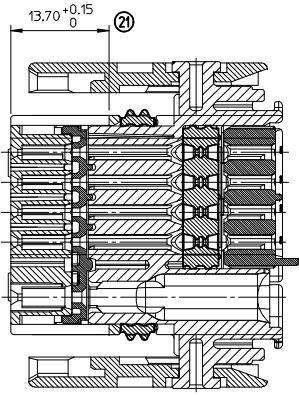
MODIFY: COLOR PERIMETER SEAL EC NO: G2014-01Z7 DRAWN: J. JOUAS 2014/01/16 CHKD: CROUCHAN 2014/01/16 APPR: O.PLESSIS 2014/06/17	DESCRIPTION	GENERAL TOLERANCES (UNLESS SPECIFIED)		DIMENSION STYLE MM ONLY	SCALE 1:1	DESIGN UNITS METRIC	FIRST ANGLE PROJECTION	
		4 PLACES ± --- ± ---	3 PLACES ± --- ± ---	DRAWN BY G. DESBRUERES	DATE 2007/09/05	TITLE CMC FEMALE MODULE 53W GENERIC SALES DRAWING		
		2 PLACES ± 0.05 ± ---	1 PLACE ± 0.1 ± ---	CHECKED BY O.PLESSIS	DATE 2007/09/06	MATERIAL NO. SD-64321-001		
		0 PLACE ± 0.1 ± ---	ANGULAR ± 2 °	APPROVED BY L. STICKEIR	DATE 2007/09/07	SHEET NO. 1 OF 2		

SEE CHARTS
 DRAFT WHERE APPLICABLE MUST REMAIN WITHIN DIMENSIONS
 THIS DRAWING CONTAINS INFORMATION THAT IS PROPRIETARY TO MOLEX INCORPORATED AND SHOULD NOT BE USED WITHOUT WRITTEN PERMISSION

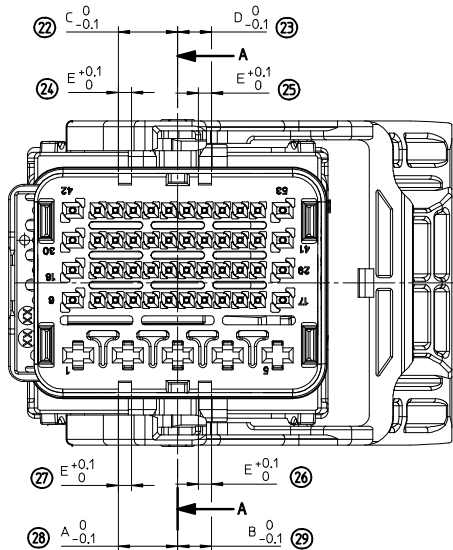
CODINGS

FEMALE HOUSING RIGHT WIRE OUTPUT

MODULE OVERALL DIMENSIONS:



**B - B
2:1**

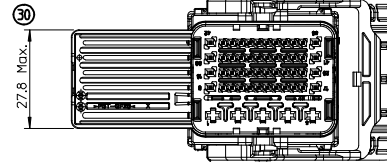


COLOR	CODING	A $\begin{smallmatrix} 0 \\ -0,1 \end{smallmatrix}$	B $\begin{smallmatrix} 0 \\ -0,1 \end{smallmatrix}$	C $\begin{smallmatrix} 0 \\ -0,1 \end{smallmatrix}$	D $\begin{smallmatrix} 0 \\ -0,1 \end{smallmatrix}$	E $\begin{smallmatrix} +0,1 \\ 0 \end{smallmatrix}$
BLACK	1	8,4	4,8	8,4	4,8	1,8
GREY	2	8,4	6,6	6,6	6,6	1,8
BROWN	3	8,4	8,4	4,8	10,2	1,8
GREEN	4	4,8	10,2	8,4	12,0	1,8

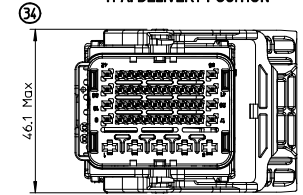
TERMINALS' P/N(S)

CAVITIES N°	FEMALE TERMINALS (Section mm2)	PLATING	MOLEX P/N	WIRE SEAL	min / MAX WIRE INSULATION DIAMETER		
7 to 16 19 to 28 31 to 40 43 to 52	CP 0.6 (0.35mm2)	Tin plated	0643221019		∅1.25 min. / ∅1.40 Max.		
		Gold plated	0643221229				
	CP 0.6 (0.5mm2)	Tin plated	0643221039				
		Gold plated	0643221239				
6, 17, 18 29, 30, 41 42, 53	CP 0.6 (0.75mm2)	Tin plated	0643221029		∅1.60 min. / ∅1.90 Max.		
		Gold plated	0643221219				
	CP 1.5 (0.5mm2 to 1mm2)	Tin plated	0643231029				
		Gold plated	0643231319				
1 to 5	CP 1.5 (>1mm2 to 2mm2)	Tin plated	0643231039		∅2.10 min. / ∅2.80 Max.		
		Gold plated	0643231219				
	CP 2.8 (>0.5mm2 to 1mm2)	Tin plated	0643241049			0643251332	∅1.40 min. / ∅2.15 Max.
		Gold plated	0643241149				
	CP 2.8 (>1mm2 to 2mm2)	Tin plated	0643241039			0643251345	∅2.10 min. / ∅2.80 Max.
		Gold plated	0643241139				
	CP 2.8 (>2mm2 to 3mm2)	Tin plated	0643241029			0643251358	∅2.65 min. / ∅3.45 Max.
		Gold plated	0643241129				
CP 2.8 (>3mm2 to 5mm2)	Tin plated	0643241019	0643251366	∅3.40 min. / ∅4.00 Max.			
	Gold plated	0643241119					

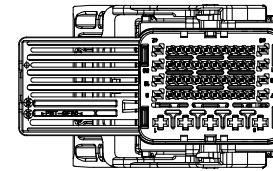
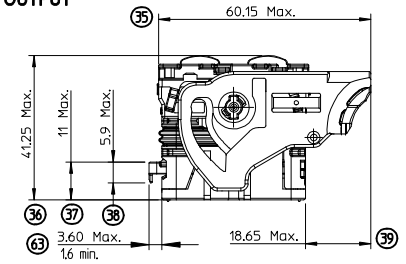
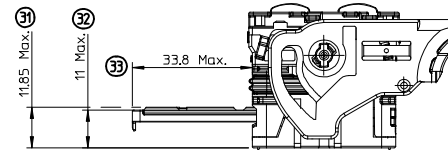
TPA: UNLOCKED POSITION



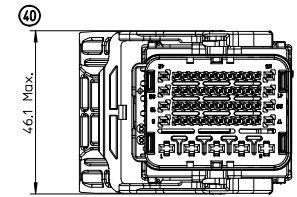
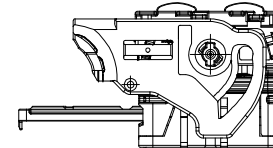
TPA: DELIVERY POSITION



RIGHT WIRE OUTPUT



LEFT WIRE OUTPUT



MODIFY COLOR PERMETER SEAL EC NO: G2014-0127 DRAWN: JOUAS 2014/01/16 CHKD: BROUHAN 2014/01/16 APPR: PLESSIS 2014/06/17	GENERAL TOLERANCES (UNLESS SPECIFIED)		DIMENSION STYLE MM ONLY		SCALE 1.5:1	DESIGN UNITS METRIC	FIRST ANGLE PROJECTION	
	4 PLACES ± --- ± --- 3 PLACES ± --- ± --- 2 PLACES ± 0.05 ± --- 1 PLACE ± 0.1 ± --- 0 PLACE ± 0.1 ± ---	mm INCH ± --- ± --- ± 0.05 ± --- ± 0.1 ± --- ± 0.1 ± ---	DRAWN BY G. DESBRUERES	DATE 2007/09/05	CHECKED BY O. PLESSIS	DATE 2007/09/06		TITLE CMC FEMALE MODULE 53W GENERIC SALES DRAWING
REV	DESCRIPTION	ANGULAR ± 2 ° DRAFT WHERE APPLICABLE MUST REMAIN WITHIN DIMENSIONS		APPROVED BY L. STICKEIR	DATE 2007/09/07	MATERIAL NO. SEE SHEET 1	DOCUMENT NO. SD-64321-001	SHEET NO. 2 OF 2