

MICRO SWITCH

A DIVISION OF MINNEAPOLIS-HONEYWELL REGULATOR COMPANY, FREEPORT, ILLINOIS

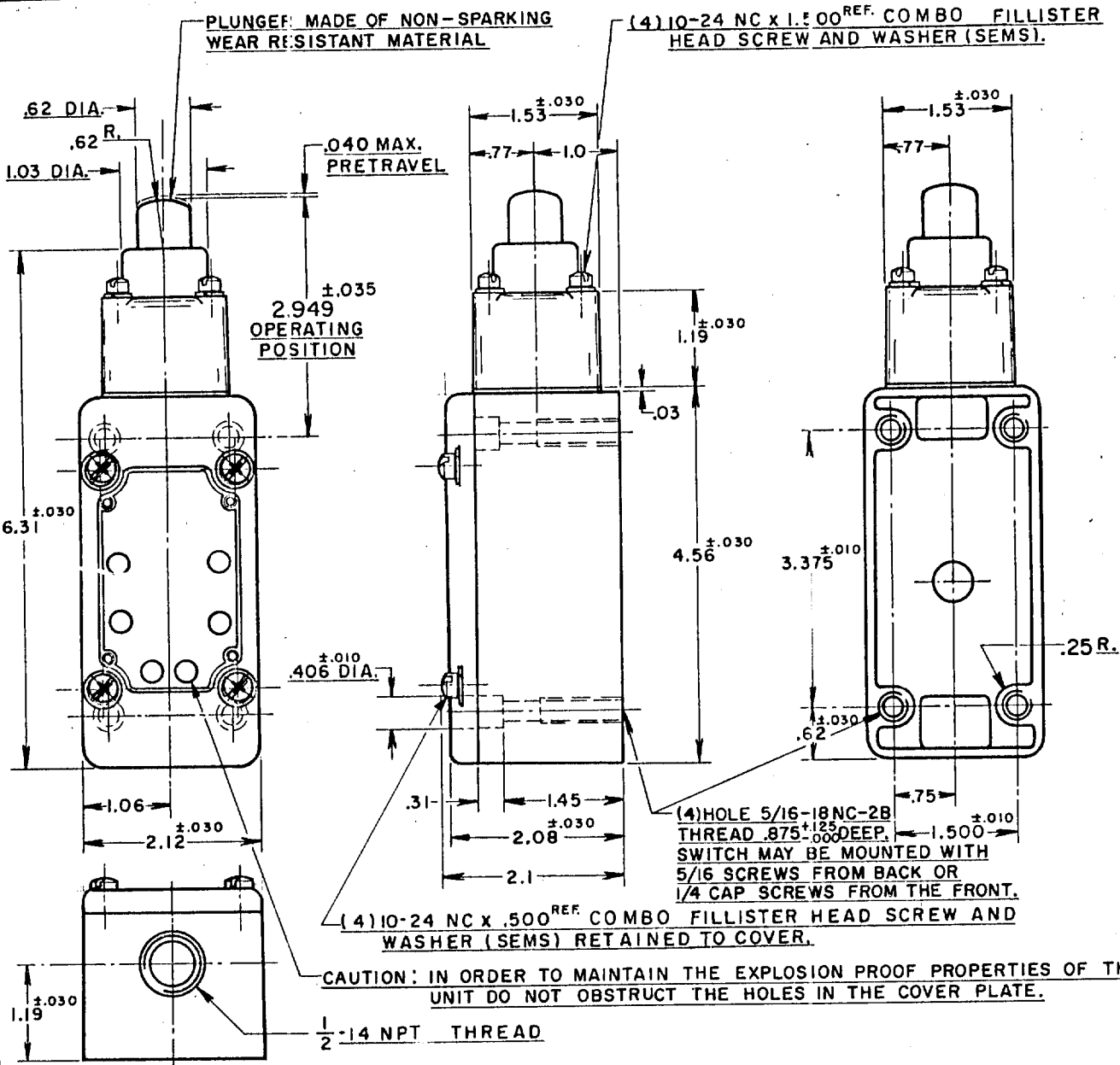
SWITCH - ENCLOSED

102 ML1-E1



FED. MFR. CODE 91929

THIS DRAWING COVERS A PROPRIETARY ITEM AND IS THE PROPERTY OF MICRO SWITCH, A DIVISION OF HONEYWELL. THIS DRAWING IS NOT TO BE COPIED OR USED WITHOUT THE APPROVAL OF MICRO SWITCH.



NOTE -

- 1-LISTED BY UNDERWRITERS LABORATORY, INC. FOR USE IN CLASS 1 GROUPS C AND D VAPOR-AIR ATMOSPHERES, AND CLASS 2 GROUPS E, F AND G DUST-AIR ATMOSPHERES.
- 2-IT IS ESSENTIAL THAT THE CONDUIT OPENING BE PROPERLY SEALED IN ORDER TO MAINTAIN THE EXPLOSION PROOF PROPERTIES.
- 3-SWITCH WILL PERFORM SATISFACTORILY IN TEMPERATURES TO MINUS 30°F.

CHARACTERISTICS (TENTATIVE)

OPERATING FORCE - - - - - 6 LB. APPROX.

RELEASE FORCE - - - - - 4 LB. APPROX.

DIFFERENTIAL TRAVEL - - - - - .020 MAX.

OVERTRAVEL - - - - - .500 MIN.

SWITCH-BASIC REPLACEMENT - - - - - I MN I

ELECTRICAL DATA

CONTACT ARRANGEMENT
TWO CIRCUIT DOUBLE THROW
DOUBLE BREAK

(A) 10A-120, 240, OR 480 VAC, 1/2 HP - 120 VAC
1 HP - 240 VAC; 0.8 A - 115 VDC; 0.4 A - 230 VDC

(B) PILOT DUTY: 720 VA-HEAVY DUTY

(C) 600 VAC MAX

SCALE 1/2 TO 1

DO NOT SCALE PRINT

UNLESS OTHERWISE SPECIFIED DIMENSIONS ARE IN INCHES

TOLERANCES ARE:

ONE PLACE (.0)	±.030
TWO PLACE (.00)	±.018
THREE PLACE (.000)	±.008
ANGLES	±

WEIGHT



REPLACES
 NUMBER
 10
 RELEASE NO. SR 7257
 8 FEB 58
 CHECK
 12789
 FEB 58
 13022
 FEB 58
 17808
 FEB 63
 24575
 FEB 68
 38549
 FEB 77
 58367
 FEB 85
 5051-C
 FEB 86
 63739
 FEB 88
 74287
 FEB 93