

6

5

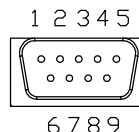
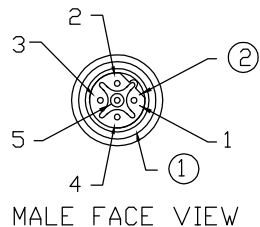
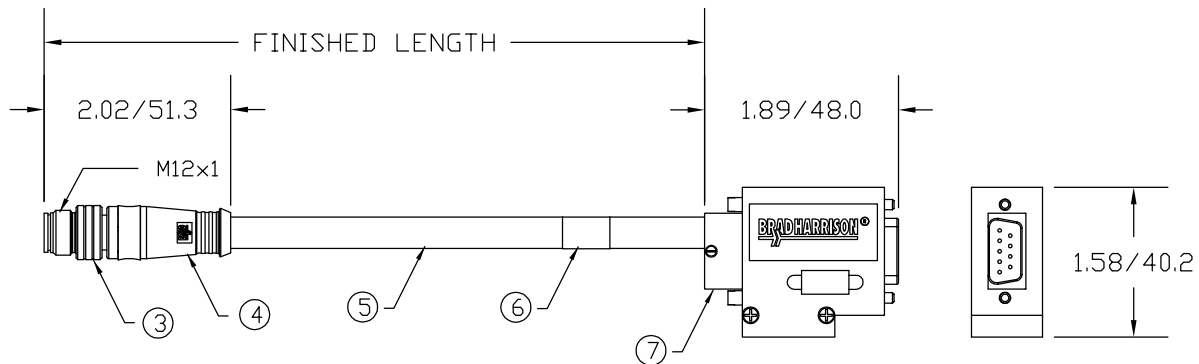
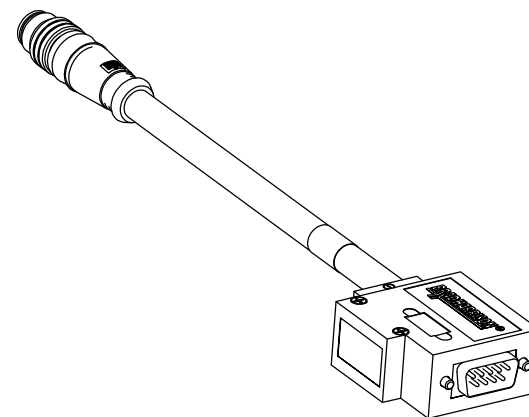
4

3

2

1

MATERIAL NUMBER	OLD PART NUMBER	FINISHED LENGTH
120098-0062	BM5S60PP4M0103	3.28' +2.19" -0 [1.0M +55.6 -0]
120098-0063	BM5S60PP4M0203	6.56' +3.50" -0 [2.0M +88.9 -0]
120098-0064	BM5S60PP4M0303	16.40' +6.50" -0 [5.0M +165.1 -0]



1	NOT CONNECTED	
2	GREEN (LINE A)	8
3	NOT CONNECTED	
4	RED (LINE B)	3
5	DRAIN WIRE	

WIRING DIAGRAM

PINS 1, 2, 4, 5, 7, & 9 ARE NOT CONNECTED ON D-SUB

VOLTAGE RATING	250 VAC/VDC
AMPERAGE RATING	4 AMPS
PROTECTION FOR M12 CONNECTOR	IP67
PROTECTION FOR D-SUB	IP40
OPERATING TEMPERATURE	-20°C TO 80°C

ITEM	COMPONENT	MATERIAL	FINISH
1	INSERT	NYLON	BLACK
2	CONTACT PIN	COPPER ALLOY	GOLD OVER NICKEL
3	COUPLING NUT	BRASS	NICKEL PLATED
4	OVERMOLD	PUR	YELLOW
5	CABLE- 24 AWG, (.22mm) COPPER STRANDING TWISTED PAIR SHIELD WITH BRAID	PUR	PURPLE
6	LABEL	MLYAR	BLACK/YELLOW
7	D-SUB	ABS	BLACK

RLSD DRAWING
 EC NO: WNA2009-0645 3/31/09
 DRWN: BWOODMAN
 CHKD: JM
 APPR: JFMURPHY 2009/04/08

QUALITY SYMBOLS
 ▽=0
 ▽/C=0

GENERAL TOLERANCES (UNLESS SPECIFIED)

	mm	INCH
4 PLACES	±---	±---
3 PLACES	±---	±---
2 PLACES	±---	±.01
1 PLACE	±0.3	±---

ANGULAR ±---°
 DRAFT WHERE APPLICABLE MUST REMAIN WITHIN DIMENSIONS

DIMENSION STYLE IN/MM

DRAWN BY	DATE
BW	2009/03/31
CHECKED BY	DATE
LH	2009/03/31
APPROVED BY	DATE
---	---

SCALE

DESIGN UNITS



TITLE
 MICRO-CHANGE CORDSET
 5P MALE PROFIBUS TO DSUB
 PUR CABLE

molex MOLEX INCORPORATED

DOCUMENT NO. SD-120098-001 SHEET NO. 1 OF 1

THIS DRAWING CONTAINS INFORMATION THAT IS PROPRIETARY TO MOLEX INCORPORATED AND SHOULD NOT BE USED WITHOUT WRITTEN PERMISSION

6

5

4

3

2

1

E

E

D

D

C

C

B

B

A

A