



PART NAME

EXTRUDED ALUMINUM IP65 PCB ENCLOSURES

PART No.

EXN-23362 (SEE TABULATION FOR COMBINATIONS)

REVISION DATE

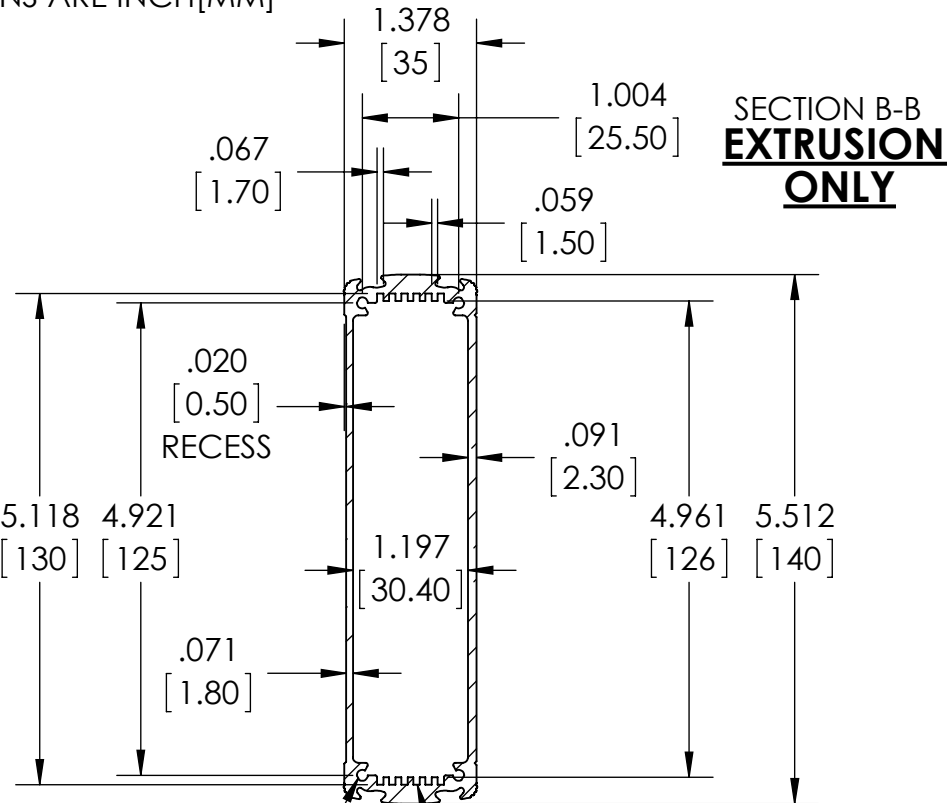
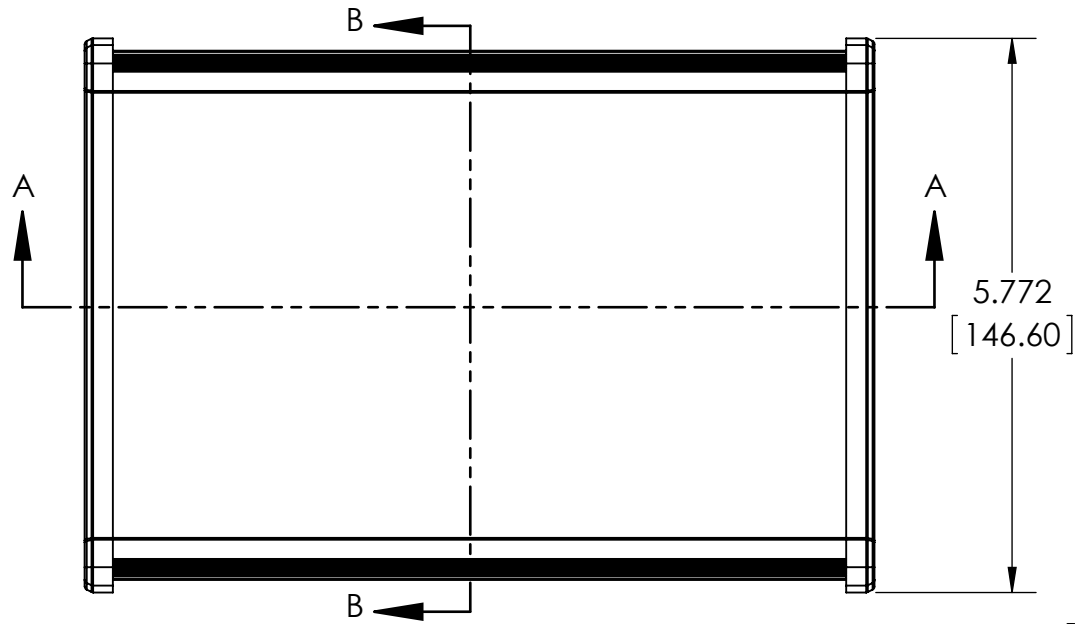
10-23-15

PART NUMBER	ALUM. COVER	PLASTIC COVER	BODY COLOR
EXN-23362-BK	BLACK	-	BLACK
EXN-23362-BKP	-	BLACK	BLACK
EXN-23362-BL	BLACK	-	BLUE
EXN-23362-BLP	-	TRANSLUCENT BLUE	BLUE
EXN-23362-GD	BLACK	-	GOLD
EXN-23362-GDP	-	CLEAR	GOLD
EXN-23362-RD	BLACK	-	RED
EXN-23362-RDP	-	IR RED	RED
EXN-23362-SV	BLACK	-	SILVER
EXN-23362-SVP	-	CLEAR	SILVER

MATERIAL: ALUMINUM EXTRUSION BODY PROVIDED WITH ALUMINUM COVER (2X) AND GASKETS OR POLYCARBONATE COVER (2X) AND GASKETS - NOT ASSEMBLED

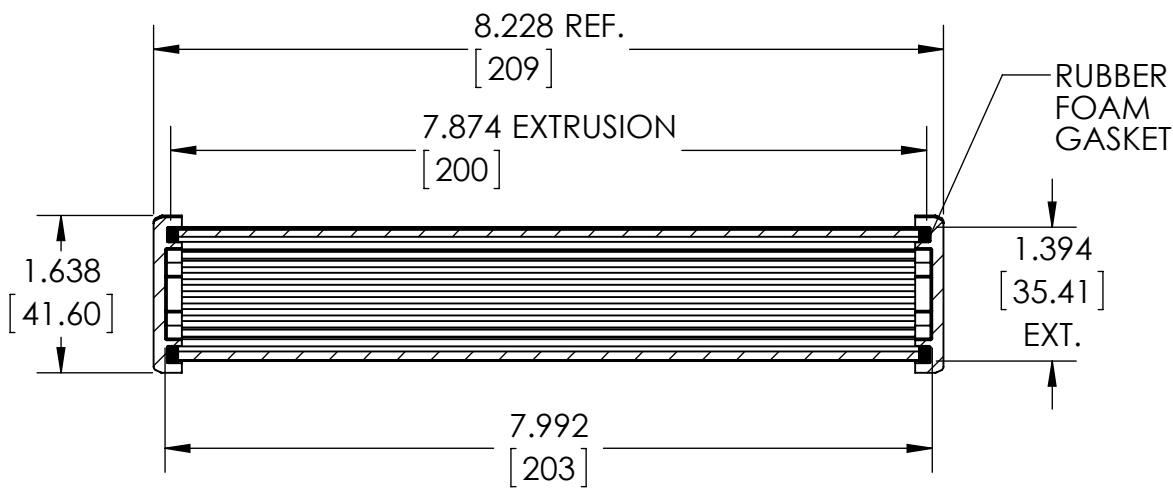
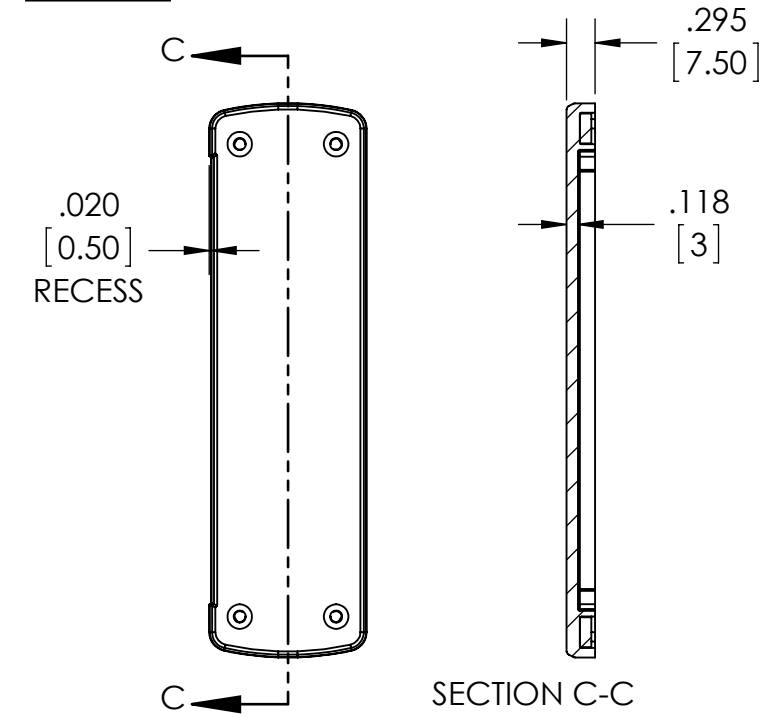
DIMENSIONS ARE INCH[MM]

DRAWING FOR REFERENCE
WE RESERVE THE RIGHT TO MAKE CHANGES TO OUR STANDARD PRODUCTS. PLEASE CONSULT WITH BUD INDUSTRIES PRIOR TO USING THIS DRAWING FOR DESIGN PURPOSE.

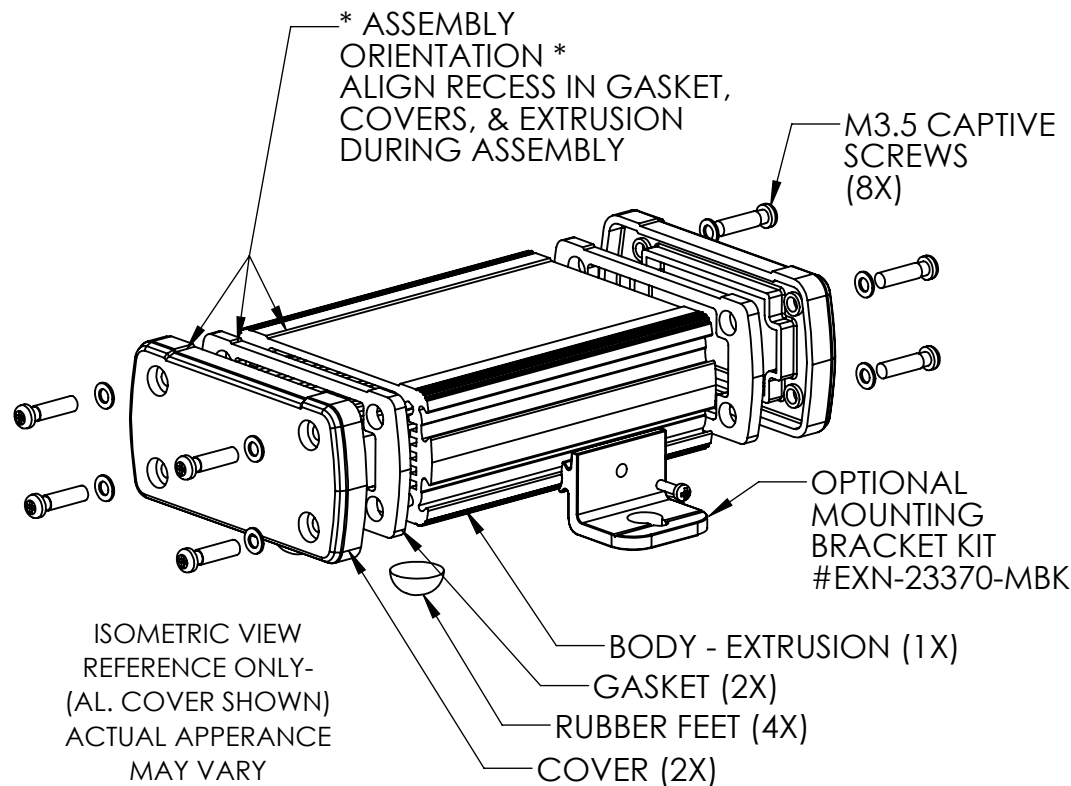


PRE-THREADED FOR M3.5 SCREW (4X)

SLOTS FOR PCB #EXN-23409-PCB

DIE CAST ALUMINUM COVERSECTION A-A
SCALE 1 : 2

DIMENSIONS MAY VARY DEPENDING ON THE COMPRESSION OF THE GASKETS

ISOMETRIC VIEW
REFERENCE ONLY-
(AL. COVER SHOWN)
ACTUAL APPEARANCE
MAY VARY**PLASTIC COVER**