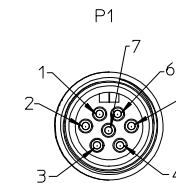
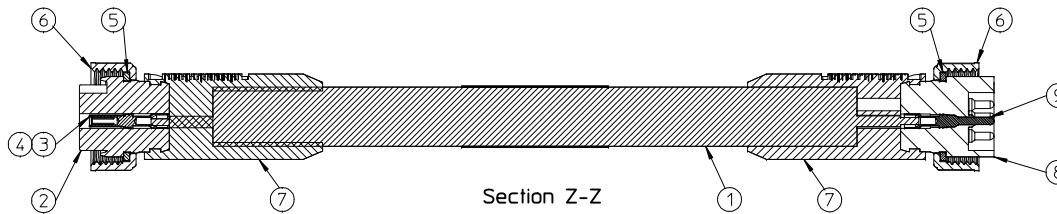
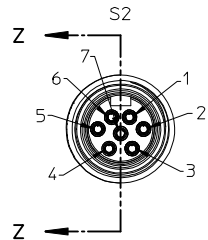
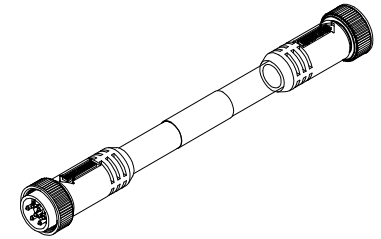
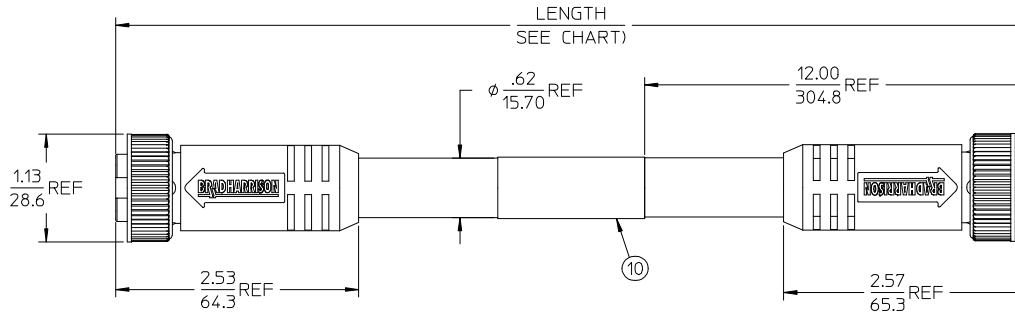


PART NUMBER	ENGINEERING NO.	LENGTH
1300110051	227020A01F060	6' 0" +2.19 - 0 [1.8M +55.6 - 0]
1300110055	227020A01F120	12' 0" +3.50 - 0 [3.7M +88.9 - 0]
1300110057	227020A01F200	20' 0" +6.50 - 0 [6.1M +165.1 - 0]



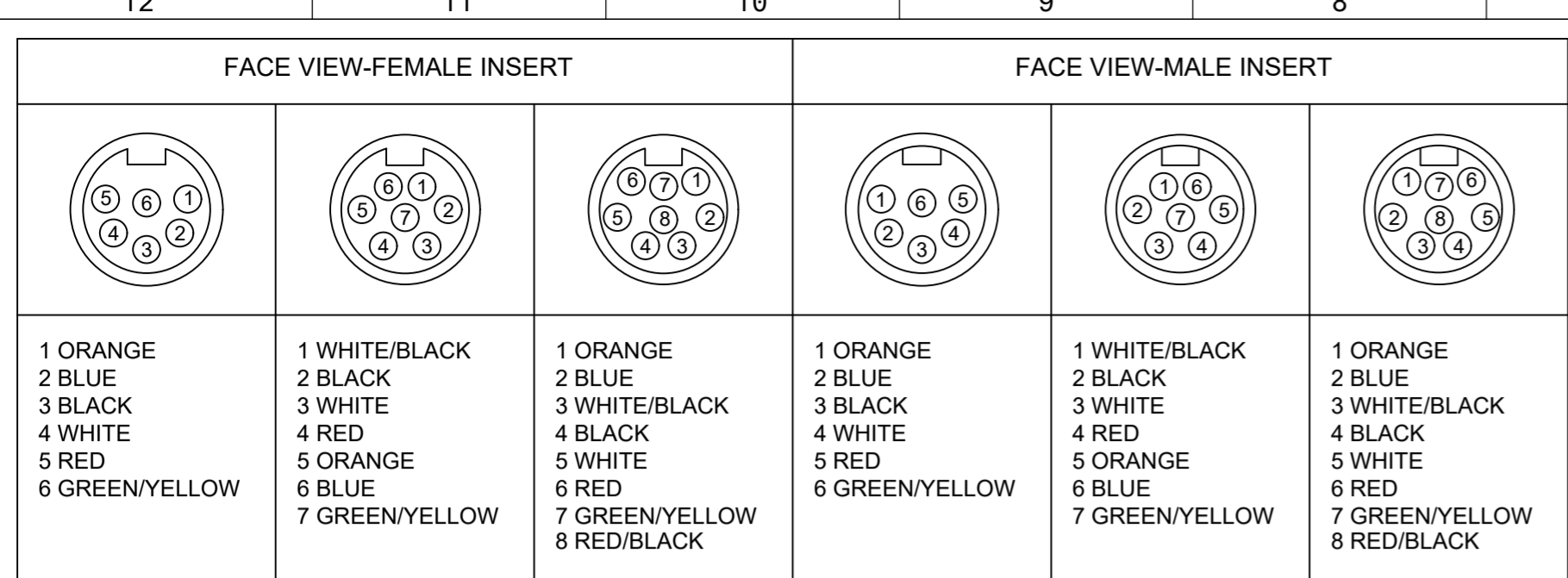
- NOTES:
- MATERIAL: SEE TABLE
 - FINISHES: SEE TABLE
 - CABLE ASSEMBLIES ARE BAGGED SEPERATELY IN POLY BAGS WITH BARCODE LABEL ATTACHED TO OUTSIDE OF BAG
 - WRAP LABEL IS MARKED WITH P/N, DATE CODE VOLTAGE & AMPERAGE
 - MATES WITH: MINI CHANGE, C-SIZE 7 POLE RECEPTACLE
 - ELECTRICAL SPECIFICATIONS:
VOLTAGE RATING: 600V
CURRENT RATING: 8 AMPS
 - ASSEMBLY IS RoHS COMPLIANT

S2		P1
1	WHITE/BLACK	1
2	BLACK	2
3	WHITE	3
4	RED	4
5	ORANGE	5
6	BLUE	6
7	GREEN/YELLOW-GND	7

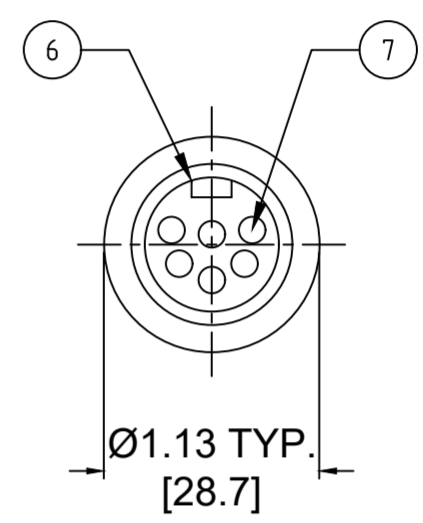
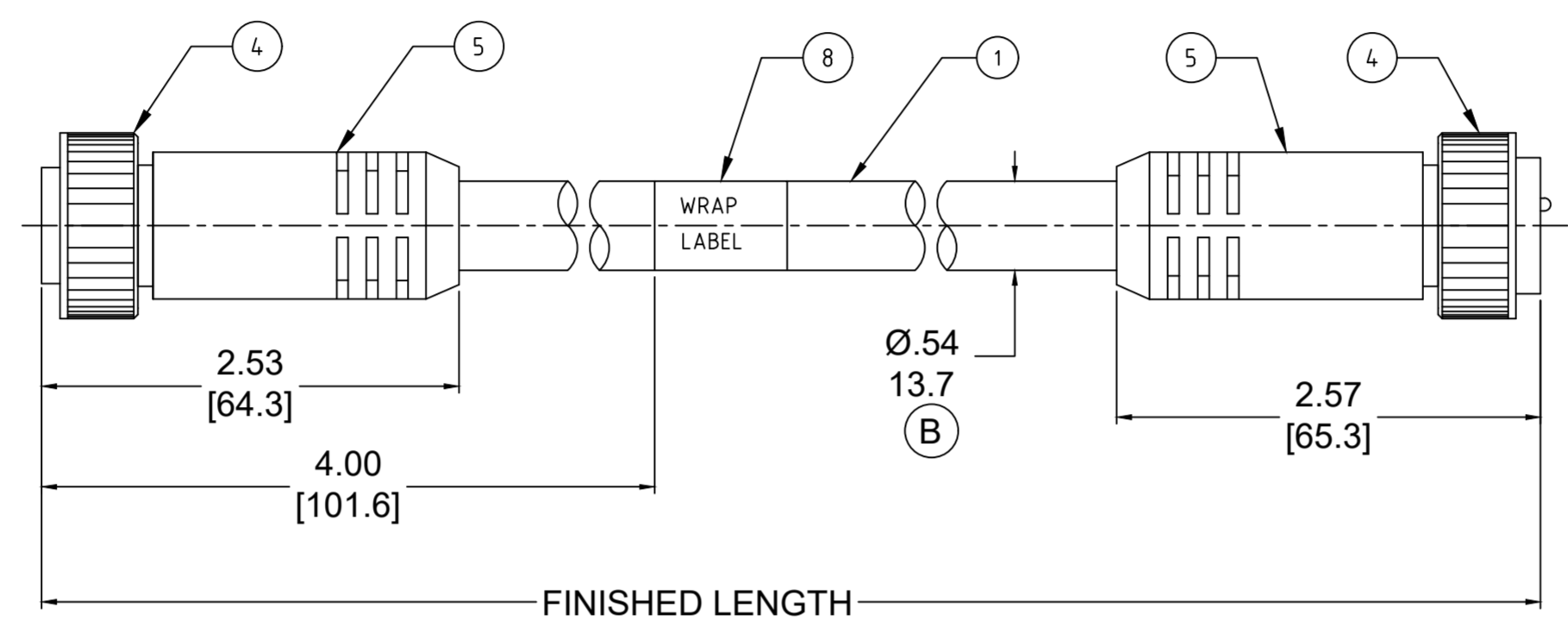
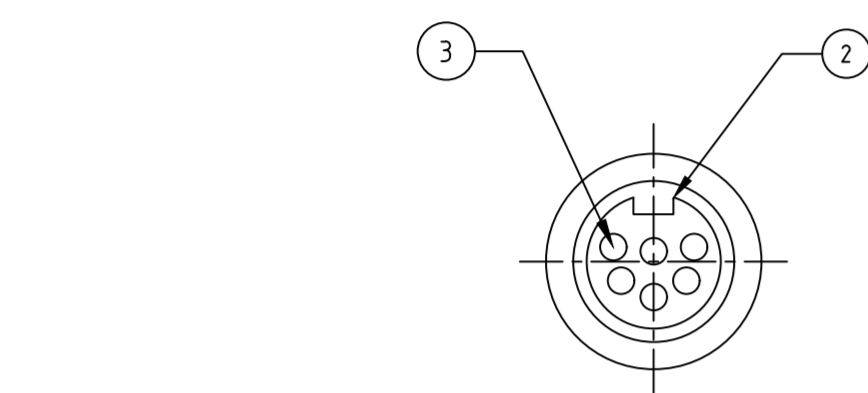
WIRING DIAGRAM

ITEM	QTY.	DESCRIPTION	MATERIAL	FINISH
10	1	LABEL	PLASTIC FILM	BLACK/YELLOW
9	7	PIN CONTACT	BRASS	GOLD PLATED
8	1	INSERT, MALE, 7 POLE	PVC	YELLOW
7	2	OVERMOLD	PVC	YELLOW
6	2	COUPLING NUT	ZINC DIE CAST	BLACK
5	2	FRICITION RING	NYLON	NATURAL
4	7	SOCKET CONTACT	BRASS	GOLD PLATED
3	7	SOCKET SLEEVE	STAINLESS STEEL	
2	1	INSERT, FEMALE, 7 POLE	PVC	YELLOW
1	1	CABLE, 16-7 ST00W/ST	PVC JACKET	YELLOW

RELEASED EC NO: MNA2009-0813 DRAWN: BRUPERT 2009/06/09 CHKD: BRUPERT APPR: J. MURPHY 2009/06/10	DESCRIPTION QUALITY SYMBOLS ▽=0 ▽=0	GENERAL TOLERANCES (UNLESS SPECIFIED)		DIMENSION STYLE IN/MM		SCALE 1:1	DESIGN UNITS INCH	THIRD ANGLE PROJECTION																	
		<table border="1"> <thead> <tr> <th></th> <th>mm</th> <th>INCH</th> </tr> </thead> <tbody> <tr> <td>4 PLACES ±</td> <td>---</td> <td>± ---</td> </tr> <tr> <td>3 PLACES ±</td> <td>---</td> <td>± ---</td> </tr> <tr> <td>2 PLACES ±</td> <td>---</td> <td>± .01</td> </tr> <tr> <td>1 PLACE ±</td> <td>0.3</td> <td>± ---</td> </tr> </tbody> </table>			mm	INCH	4 PLACES ±	---	± ---	3 PLACES ±	---	± ---	2 PLACES ±	---	± .01	1 PLACE ±	0.3	± ---	DRAWN BY BRUPERT		DATE 2009/04/06	TITLE MINI-CHANGE CORD ASSY MALE/FEMALE, B-SIZE 7 POLE			
			mm	INCH																					
		4 PLACES ±	---	± ---																					
3 PLACES ±	---	± ---																							
2 PLACES ±	---	± .01																							
1 PLACE ±	0.3	± ---																							
DRAFT WHERE APPLICABLE MUST REMAIN WITHIN DIMENSIONS		APPROVED BY J. MURPHY		DATE 2009/04/06	MATERIAL NO. SEE CHART																				
A		REV		SIZE C		DOCUMENT NO. SD-130011-002		SHEET NO. 1 OF 1																	



PART NO	ENGINEERING NO.	FINISHED LENGTH
1300110008	226020A01F030	3FT [0.9M]
1300110082	227020A01M300	30M [98FT 5 IN]
1300110158	228020A01M600	60M [196FT 10 IN]



- NOTES:
- MATERIAL: AS NOTED
 - FINISH: AS NOTED
 - ELECTRICAL:
 - 6 POLE: VOLTAGE: 400V PER IEC60664
600V PER UL2238
CURRENT: 8A
 - 7 POLE: VOLTAGE: 320V PER IEC60664
600V PER UL2238
CURRENT: 8A
 - 8 POLE: VOLTAGE: 320V PER IEC60664
600V PER UL2238
CURRENT: 7A
 - TEMP RATING: -20°TO +105°C
 - PROTECTION: IP67 (WHEN MATED)
 - COUPLING THREAD: 1"-16 UN
 - UL RECOGNIZED FILE: E152210
CSA CERTIFIED FILE: LR6837 (B)
 - ALL DIMENSIONS ARE FOR REFERENCE UNLESS TOLERANCED OR NOTED OTHERWISE

PART NO. MATRIX
227020A01M010

POLES (6,7,8) FINISHED LENGTH:
 M005= 0.5 METER
 M010= 1 METER
 M100= 10 METER

F010= 1 FOOT
 F100= 10 FEET

CABLE LENGTH TOLERANCES

>.3M [1FT]:	+19mm-0 [+.75in-0]
.3 - .9M [1 - 3FT]:	+44.5mm-0 [+1.75in-0]
.9 - 1.8M [3 - 6FT]:	+55.6mm-0 [+2.19in-0]
1.8 - 3.7M [6 - 12FT]:	+88.9mm-0 [+3.50in-0]
3.7 - 7.3M [12 - 24FT]:	+165.1mm-0 [+6.50in-0]
7.3-14.6M [24 - 48FT]:	+317.5mm-0 [+12.50in-0]
14.6 - 30.5M [48-100FT]:	+622.3mm-0 [+24.50in-0]
OVER 30M [100FT]	+2% OF FINISHED LENGTH

8	WRAP LABEL	VINYL	BLACK/YELLOW
7	CONTACT PIN	COPPER ALLOY	GOLD PLATED
6	MALE INSERT	TPE	YELLOW
5	OVERMOLD	TPE	YELLOW
4	COUPLING	ZINC DIE-CAST	BLACK
3	CONTACT SOCKET	COPPER ALLOY	GOLD PLATED
2	FEMALE INSERT	TPE	YELLOW
1	CABLE, 16AWG, TPE,STOOW	PVC JACKET	YELLOW
ITEM	DESCRIPTION	MATERIAL	FINISH

FUNCTIONAL SYMBOLS				THIS DRAWING CONTAINS INFORMATION THAT IS PROPRIETARY TO MOLEX ELECTRONIC TECHNOLOGIES, LLC AND SHOULD NOT BE USED WITHOUT WRITTEN PERMISSION			
DIMENSION UNITS		SCALE		CURRENT REV DESC: ITEM# 2, 5 & 6 WERE PVC. ADDED "CSA" IN NOTES. ADDED CABLE DIA. MODIFIED MATERIAL TABLE			
INCH/MM		NTS		<p>molex</p> <p>MINI-CHANGE CORDSET, B-SIZE, 6-8 POLE, MALE-FEMALE, STRAIGHT, SINGLE KEY, 16 AWG</p> <p>PRODUCT CUSTOMER DRAWING</p> <p>DOCUMENT NUMBER: SD-130011-006 DOC TYPE/DOC PART/REVISION: PSD 001 B</p>			
GENERAL TOLERANCES (UNLESS SPECIFIED)							
mm		INCH					
4 PLACES	±----	±----	±----				
3 PLACES	±----	±----	±----				
DIVISIONAL SYMBOLS		ANGULAR TOL ± 0.5 °		EC NO: 643513		DRWN: ABENJAMINLW 2020/07/29	
2 PLACES		±----		CHK'D: RSTONE 2020/08/28		APPR: BWOODMAN 2020/09/15	
1 PLACE		±----		INITIAL REVISION:			
0 PLACES		±----		DRWN: RSTONE 2016/11/30		APPR: BWOODMAN 2016/12/20	
DRAFT WHERE APPLICABLE MUST REMAIN WITHIN DIMENSIONS				THIRD ANGLE PROJECTION		DRAWING SERIES: C-SIZE 139990	
MATERIAL NUMBER		CUSTOMER		SHEET NUMBER			
SEE CHART		GENERAL MARKET		1 OF 1			