

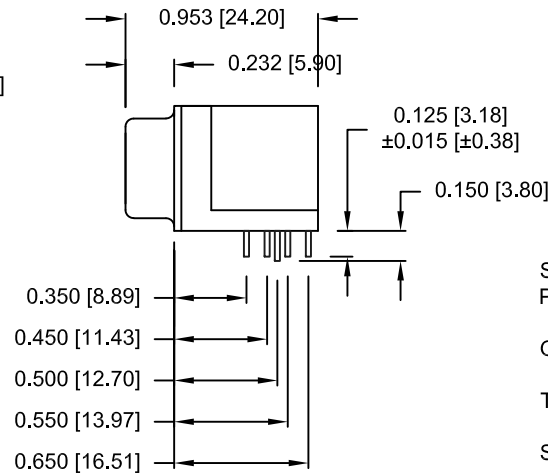
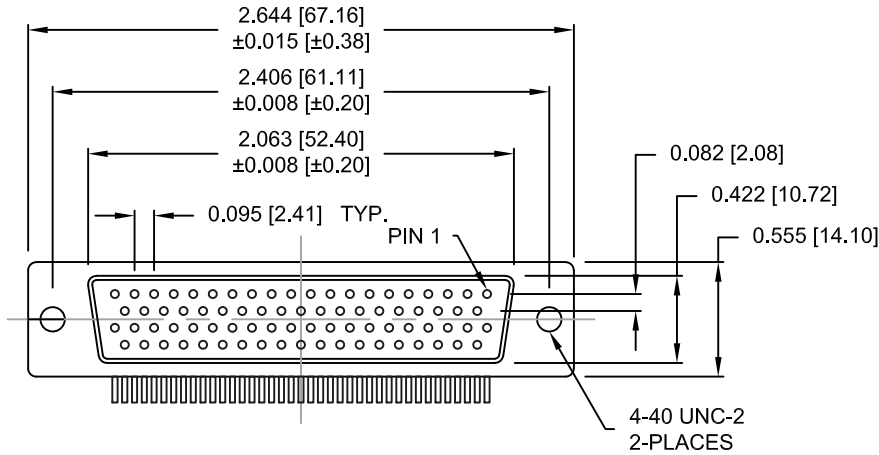
DESCRIPTION: HIGH DENSITY - FEMALE - RIGHT ANGLE

ELECTRICAL:

CURRENT RATING: 3 AMPS
 CONTACT RESISTANCE: 15 MILLIOhms Max.
 INSULATION RESISTANCE: 1,000 MEGOhms Min. AT 500VDC
 WITHSTANDING VOLTAGE: 1,000VAC FOR 1 MINUTE
 TEMPERATURE: -55°C TO +105°C

MATERIALS:

SHELL: STEEL
 INSULATOR: PBT, (UL94-0)
 CONTACT: COPPER ALLOY
 CONTACT FINISH: SEE PART NUMBER KEY BELOW
 BOARD LOCK: BRASS - TIN PLATED
 RIVET INSERT: BRASS - NICKEL PLATED



181-078-2 1 3 L YY 1

SERIES 181-078-2
 POSITIONS 078
 GENDER 2 = FEMALE
 TERMINATION 1 = DIP SOLDER
 SHELL PLATING 3 = NICKEL PLATED
 RoHS COMPLIANT
 L = LOW TEMP. PROCESS
 HARDWARE OPTIONS
 53 = 4-40 INSERTS / BOARDLOCKS
 56 = 4-40 SCREWLOCKS / BOARDLOCKS
 PLATING OPTIONS
 1 = GOLD FLASH (MATING AREA)
 TIN TAILS (SOLDER AREA)

DO NOT SCALE FROM DRAWING



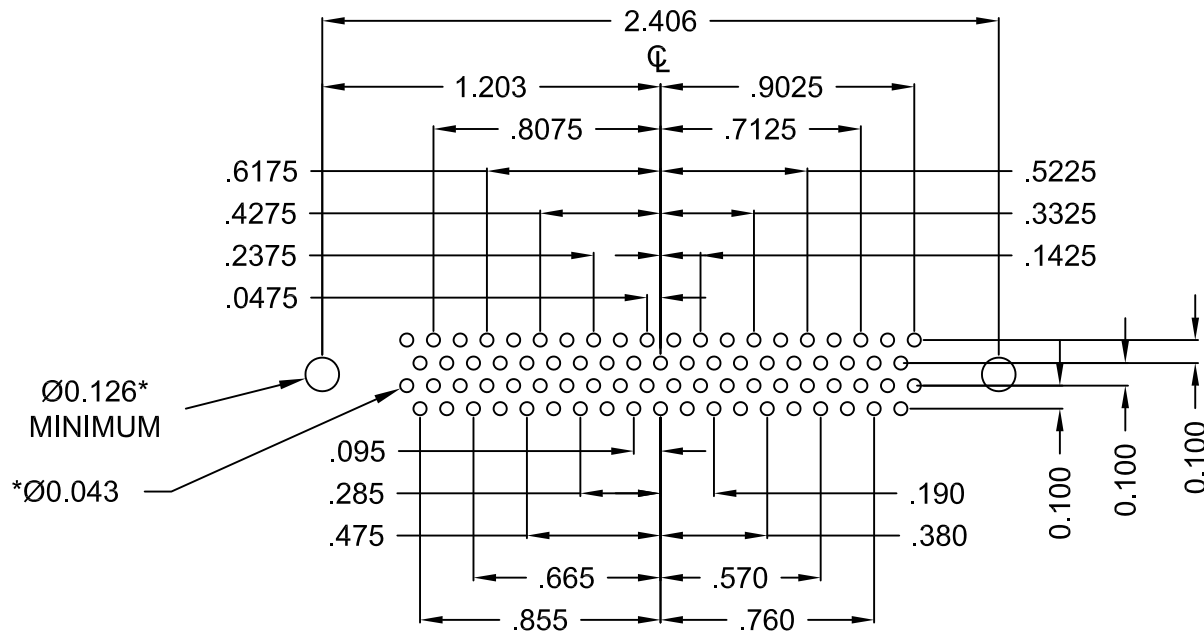
THESE DRAWINGS AND SPECIFICATIONS ARE THE PROPERTY OF NorComp AND SHALL NOT BE REPRODUCED, COPIED OR USED AS THE BASIS FOR THE MANUFACTURE OR SALE OF APPARATUS WITHOUT WRITTEN PERMISSION.

DRAWN: C. SMITH		DATE: 07-01-10	
SCALE: NTS	SHEET 1	OF 2	REV 6
DWG NO. 181-078-213LYY1			

RoHS COMPLIANT

NorComp

DESCRIPTION: PCB LAYOUT - RIGHT ANGLE - FEMALE

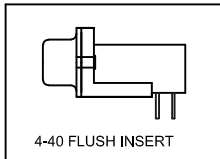
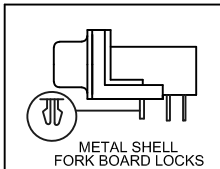


78 POSITION

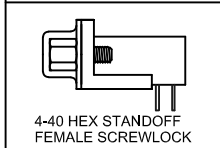
HOLE PATTERN SHOWN
ARE FOR MALE

UNITS = inch

* TYP.
SUGGESTED SIZE
MAY NOT BE SUITABLE FOR ALL APPLICATIONS



53
BOARD LOCKS
IN FRONT HOLE



56
BOARD LOCKS
IN FRONT HOLE

DO NOT SCALE FROM DRAWING

	THESE DRAWINGS AND SPECIFICATIONS ARE THE PROPERTY OF NorComp AND SHALL NOT BE REPRODUCED, COPIED OR USED AS THE BASIS FOR THE MANUFACTURE OR SALE OF APPARATUS WITHOUT WRITTEN PERMISSION.		DRAWN: C. SMITH	DATE: 07-01-10
	<h1>NorComp</h1>		SCALE: NTS	SHEET 1 OF 2
			DWG NO. 181-078-213LYY1	