

CUSTOMER TERMINAL	RoHS	LEAD(Pb)-FREE
Sn96%, Ag4%	Yes	Yes

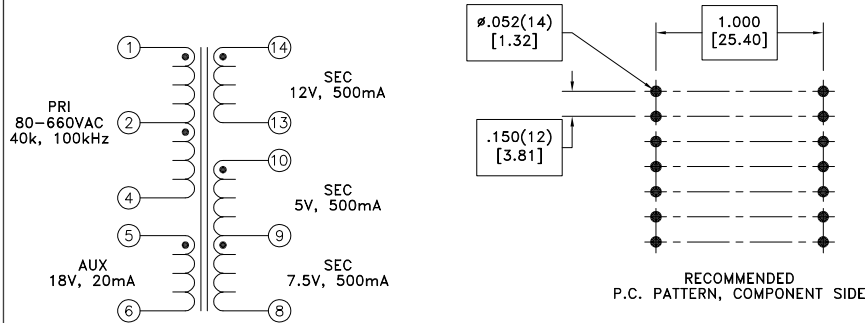
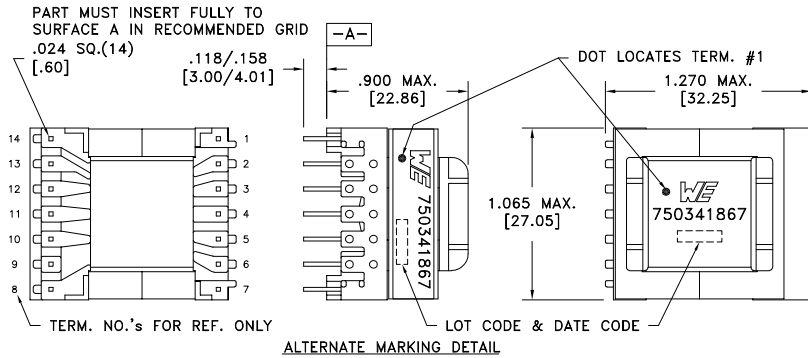


ELECTRICAL SPECIFICATIONS @ 25°C unless otherwise noted:

PARAMETER	TEST CONDITIONS	VALUE
D.C. RESISTANCE	1-4 @20°C	1.196 ohms max.
D.C. RESISTANCE	14-13 @20°C	0.089 ohms max.
D.C. RESISTANCE	10-9 @20°C	0.045 ohms max.
D.C. RESISTANCE	9-8 @20°C	0.058 ohms max.
D.C. RESISTANCE	5-6 @20°C	0.248 ohms max.
INDUCTANCE	1-4 50kHz, 100mVAC, Ls	1.3mH ±8%
LEAKAGE INDUCTANCE	1-4 tie(5+6+8+9+10+13+14), 100kHz, 100mVAC, Ls	10uH max.
⑥B DIELECTRIC	1-14 tie(13+10), 3750VAC, 1 second	3750VAC, 1 second
DIELECTRIC	1-5 1800VAC, 1 second	-
⑥B DIELECTRIC	14-Core tie(13+10), 3750VAC, 1 second	3750VAC, 1 second
URNS RATIO	(1-4):(14-13)	6.92:1, ±2%
URNS RATIO	(1-4):(10-9)	18.00:1, ±2%
URNS RATIO	(1-4):(9-8)	12.86:1, ±2%
URNS RATIO	(1-4):(5-6)	6.00:1, ±2%

GENERAL SPECIFICATIONS:

OPERATING TEMPERATURE RANGE: -40°C to +125°C including temp rise.



Wire insulation & RoHS status not affected by wire color.  
Wire insulation color may vary depending on availability.

REV.	DATE	Packaging Specifications Method: Tray PKG-0737 www.we-online.com/midcom		Tolerances unless otherwise specified: Angles: ±1° Fractions: ±1/64 Decimals: ±.005 [0.13] Footprint: ±.005 [0.13]	DRAWING TITLE <b>TRANSFORMER</b>	PART NO. <b>750341867</b>
6B	6/19	SEE REVISION SHEET FOR REVISION LEVEL		This drawing is dual dimensioned. Dimensions in brackets are in millimeters.	eiSos p/n: 750341867	
6A	5/13					SPECIFICATION SHEET 1 OF 1