

PART NAME

PLASTIBOX (STYLE A)

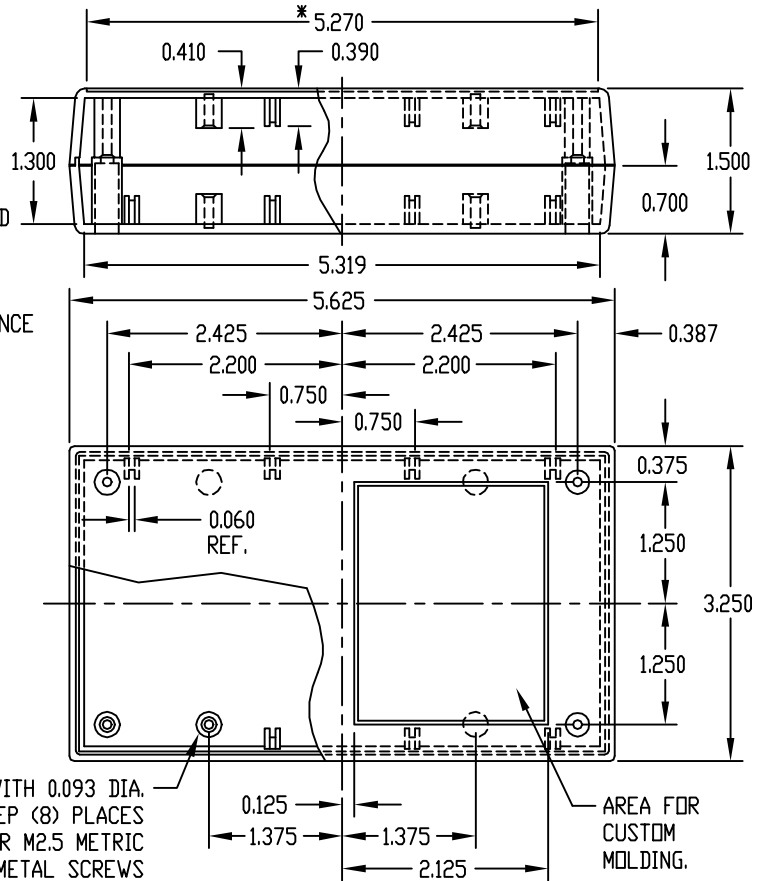
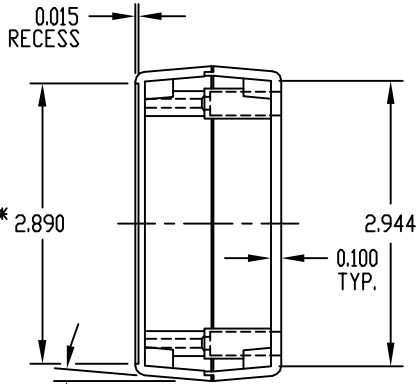
PART No.

PS-11325

MATERIAL: HIGH-IMPACT ABS  
 COLOR: BLACK OR GRAY  
 FINISH: TEXTURED BODY WITH SMOOTH TOP INSERT  
 FOUR (4) #4 x 0.375" LG. SCREWS SUPPLIED FOR ASSEMBLING TOP.  
 FOUR (4) NON-SKID PUSH-ON FEET SUPPLIED

\*-USABLE AREA ON COVER ALSO AVAILABLE FOR CUSTOM MOLDING.

NOTE: ALL DIMENSIONS HAVE ±0.015 TOLERANCE UNLESS OTHERWISE SPECIFIED.



PART NAME

PLASTIBOX (STYLE A)

PART No.

PT-11372

MATERIAL: HIGH-IMPACT ABS  
 COLOR: BLACK OR GRAY  
 FINISH: TEXTURED BODY WITH TEXTURED TOP  
 FOUR (4) #4 x 0.375" LG. SCREWS SUPPLIED FOR ASSEMBLING TOP.  
 FOUR (4) NON-SKID PUSH-ON FEET SUPPLIED

NOTE: ALL DIMENSIONS HAVE ±0.015 TOLERANCE UNLESS OTHERWISE SPECIFIED.

